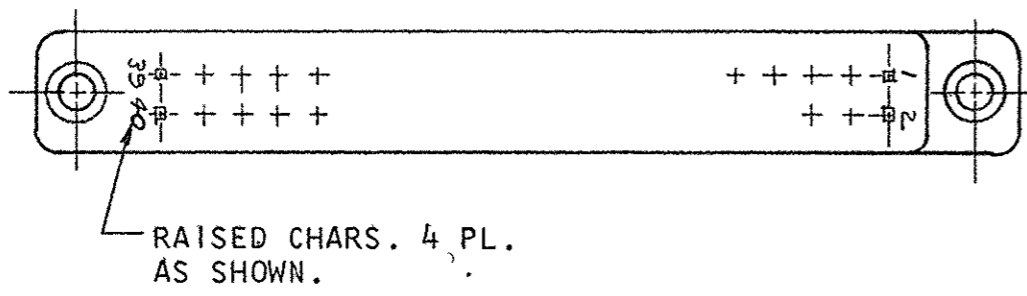
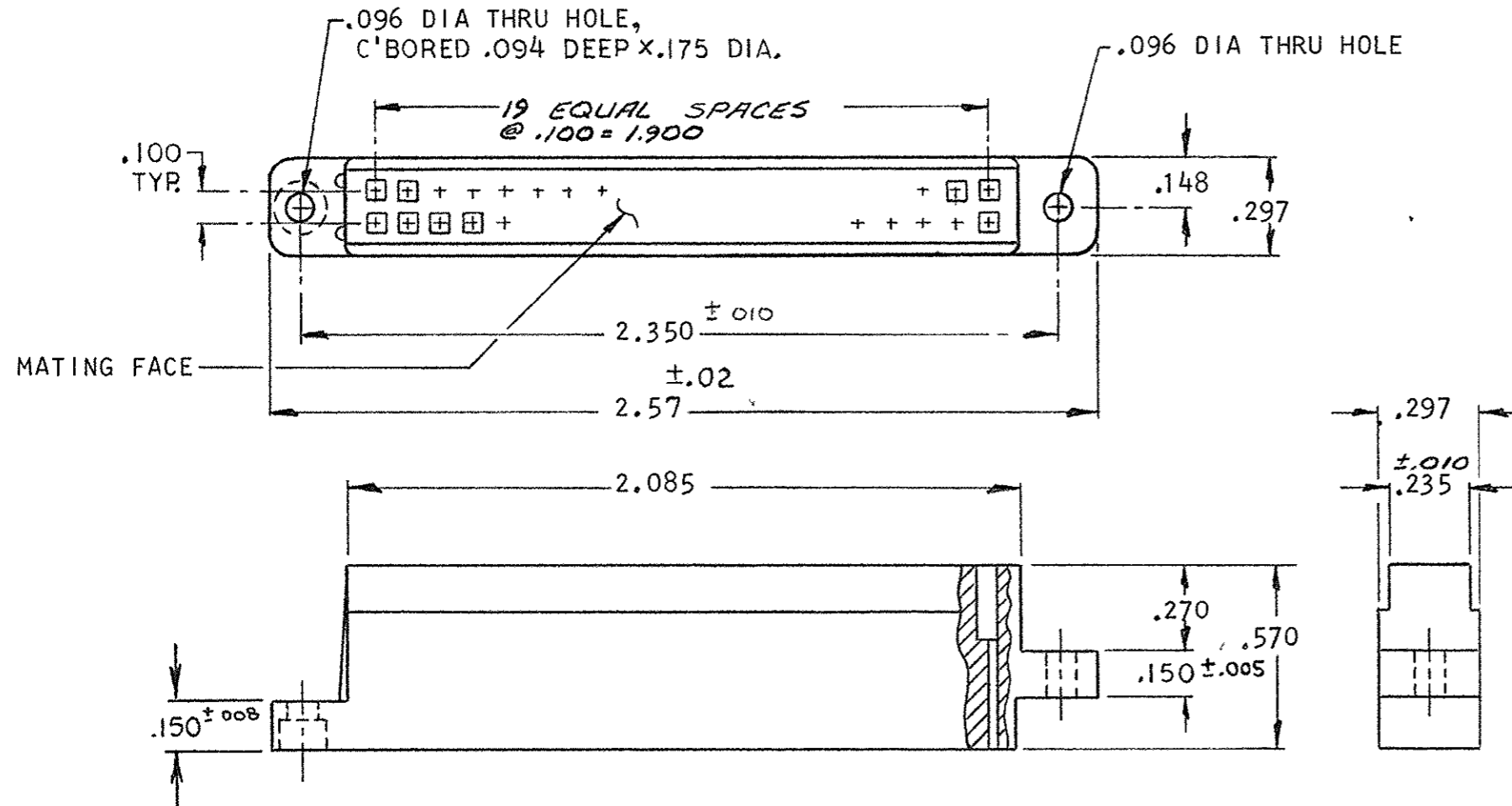


© COPYRIGHT 1973 BY AMP INCORPORATED, HARRISBURG, PA.
 ALL INTERNATIONAL RIGHTS RESERVED. AMP INCORPORATED PRODUCTS
 COVERED BY U. S. AND FOREIGN PATENTS AND/OR PATENTS PENDING.

206543-1 1. AS SHOWN
 2. MAT'L - GLASS REINFORCED
 NYLON, BLACK.

REVISIONS						
I/P	F	ZONE	LTR	DESCRIPTION	DATE	APPROVED
			O	RELEASED	12/3/73	
			O1	REV. PER ECN C-773	2-5-74	
			A	REV. PER ECN C-901	5/2/74	
			B	REV. CAVITY PER ECN E-248	5/21/76	



UNLESS OTHERWISE SPECIFIED DIMENSIONS ARE IN INCHES. TOLERANCES ON: DECIMALS ± .005 ANGLES ± #		CONTRACT NO		PART NO	
MATERIAL SEE CALLOUT		DR <i>J. D. ... 12/3/73</i>		AMP INCORPORATED Harrisburg Pa	
FINISH #		CHK <i>L. Mar ... 12/5/73</i>		NAME	
		APPR <i>David ... 12/5/73</i>		MODULE, 40 POSITION RECEPT., ZERO ENTRY CONNECTOR	
		DSGN APPD		SIZE	CODE IDENT NO
		OTHER APPD		B	00779
				NUMBER	206543
				SCALE #	SHEET 1 OF 1