

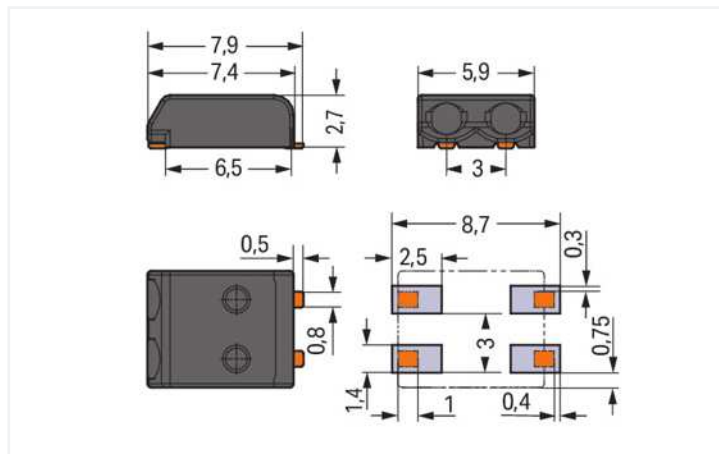
Data Sheet | Item Number: 2059-322/998-403

SMD PCB terminal block; 0.5 mm²; Pin spacing 3 mm; 2-pole; PUSH WIRE®; in tape-and-reel packaging; 0,50 mm²; black

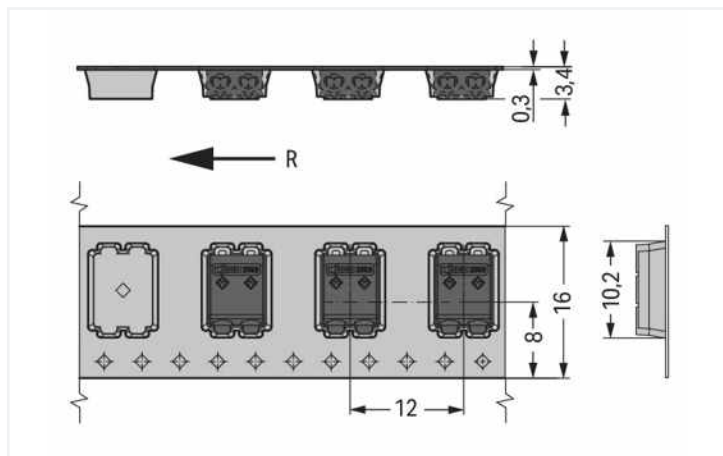
<https://www.wago.com/2059-322/998-403>



Color: ■ black



Dimensions in mm



Dimensions in mm

R = feed direction

- SMD PCB terminal blocks with PUSH WIRE® connection technology
- Push-in termination of solid conductors
- Easy conductor removal via operating tool
- Just 2.7 mm tall
- Assemble terminal blocks without pole loss
- Available in tape-and-reel packaging for automated assembly

Notes

Note

Application notes:

Suitable for lead-free, reflow-soldering profiles per DIN EN 61760-1 and IEC 60068-2-58 up to max. 260°C peak temperature. Due to application-specific variables (component configuration and orientation, type of soldering machine, solder paste), trial runs are recommended to ensure product and process compatibility under actual manufacturing conditions.

Depending on reflow soldering temperatures and times, color deviations may occur. These deviations will have no impact on functionality.

Recommendation

Recommendation for stencil:

150 µm material thickness; Pattern layout identical to solder pad layout

Electrical data

Ratings per IEC/EN

Ratings per	IEC/EN 60664-1
Nominal voltage (III/3)	63 V
Rated impulse voltage (III/3)	2.5 kV
Rated voltage (III/2)	160 V
Rated impulse voltage (III/2)	2.5 kV
Nominal voltage (II/2)	320 V
Rated surge voltage (II/2)	2.5 kV
Rated current	3 A
Legend (ratings)	(III / 2) \triangle Overvoltage category III / Pollution degree 2

Ratings per UL 1977

Rated voltage (UL 1977)	250 V
Rated current UL 1977	3 A

Connection data

Connection points	2
Total number of potentials	2
Number of connection types	1
Number of levels	1

Connection 1

Connection technology	PUSH WIRE®
Actuation type	Operating tool
Solid conductor	0.14 ... 0.34 mm ² / 26 ... 22 AWG
Note (conductor cross-section)	For conductors (26 AWG) that are not rigid enough, the clamping unit must be opened using an operating tool.
Strip length	4 ... 5.5 mm / 0.16 ... 0.22 inches
Conductor connection direction to PCB	0°
Pole number	2

Connection 2

Solid conductor 2	0.5 mm ² / 20 AWG
Note (conductor cross-section) 2	No reconnection of smaller conductor cross-sections (0.5 mm ² /20 AWG)
Strip length 2	6 ... 7.5 mm / 0.24 ... 0.3 inches

Physical data

Pin spacing	3 mm / 0.118 inches
Width	5.9 mm / 0.232 inches
Height	2.7 mm / 0.106 inches
Depth	7.9 mm / 0.311 inches
Reel diameter of tape-and-reel packaging	330 mm
Tape width	16 mm

Plug-in connection

Plugging without loss of pin spacing	Yes
--------------------------------------	-----

PCB contact

PCB contact	SMD
Solder pin arrangement	over the entire terminal strip (in-line)
Number of solder pins per potential	2

Material Data

Note (material data)	Information on material specifications can be found here
Color	black
Material group	I
Insulation material	Polyphthalamide (PPA GF)
Flammability class per UL94	V0
Contact material	Copper alloy
Contact plating	Tin
Fire load	0.002 MJ
Weight	0.2 g

Environmental requirements

Limit temperature range	-60 ... +105 °C
-------------------------	-----------------

Commercial data

eCl@ss 10.0	27-14-11-06
eCl@ss 9.0	27-14-11-06
ETIM 8.0	EC001284
ETIM 7.0	EC001284
PU (SPU)	21000 (1750) pcs
Packaging type	Box
Country of origin	CH
GTIN	4055143476560
Customs tariff number	85369010000

Approvals / Certificates

General approvals



Approval	Standard	Certificate Name
CCA DEKRA Certification B.V.	EN 60947-7-4	NTR NL-7819
CCA DEKRA Certification B.V.	EN 60947-7-4	71-111131
CCA DEKRA Certification B.V.	EN 60838	NTR NL-7720
KEMA/KEUR DEKRA Certification B.V.	EN 60838	71-106226

Downloads

Environmental Product Compliance

Compliance Search

Environmental Product Compliance
2059-322/998-403



Documentation

Additional Information

Technical Section

03.04.2019

pdf

1949.09 KB



1 Compatible Products

1.1 Optional Accessories

1.1.1 Board-to-board link

1.1.1.1 Board-to-board link



[Item No.: 2059-902](#)

Board-to-Board Link; Pin spacing 3 mm; 2-pole; Length: 15.3 mm; white

[Item No.: 2059-902/018-000](#)

Board-to-Board Link; Pin spacing 3 mm; 2-pole; Length: 17.5 mm; white

[Item No.: 2059-902/021-000](#)

Board-to-Board Link; Pin spacing 3 mm; 2-pole; Length: 20.5 mm; white

1.1.2 Tool

1.1.2.1 Operating tool



[Item No.: 206-859](#)

Operating tool; for 2059 Series; multicoloured

[Item No.: 2059-189](#)

Operating tool; made of insulating material; for 2059 Series

Installation Notes

Conductor termination



Conductor termination

