



AMP | Superseal Pro

TE Internal #: 2050832-2

Automotive Connector Caps & Covers, Backshell, Cable Exit Angle

180°, Black, Nylon 6/6, 3 Position, -40 – 248 °F [40 – 120 °C],

Superseal Pro

[View on TE.com >](#)

Connectors > Automotive Connectors > Automotive Connector Accessories > Automotive Connector Caps & Covers



Protection & Strain Relief Accessory Type: **Backshell**

Cable Exit Angle: **180°**

Strain Relief: **Without**

Primary Product Color: **Black**

Primary Product Material: **Nylon 6/6**

**Features**

**Product Type Features**

Protection & Strain Relief Accessory Type	Backshell
---	-----------

Sealable	No
----------	----

**Configuration Features**

Number of Positions	3
---------------------	---

**Body Features**

Cable Exit Angle	180°
------------------	------

Primary Product Color	Black
-----------------------	-------

Primary Product Material	Nylon 6/6
--------------------------	-----------

**Mechanical Attachment**

Strain Relief	Without
---------------	---------

**Usage Conditions**

Operating Temperature (Max)	120 °C[248 °F]
-----------------------------	----------------

Operating Temperature Range	40 – 120 °C[-40 – 248 °F]
-----------------------------	---------------------------



## Product Compliance

[For compliance documentation, visit the product page on TE.com>](#)

EU RoHS Directive 2011/65/EU	Compliant
EU ELV Directive 2000/53/EC	Compliant
China RoHS 2 Directive MIIT Order No 32, 2016	No Restricted Materials Above Threshold
EU REACH Regulation (EC) No. 1907/2006	Current ECHA Candidate List: JAN 2023 (233) Candidate List Declared Against: JUNE 2022 (224) Does not contain REACH SVHC
Halogen Content	Low Halogen - Br, Cl, F, I < 900 ppm per homogenous material. Also BFR/CFR/PVC Free
Solder Process Capability	Not reviewed for solder process capability

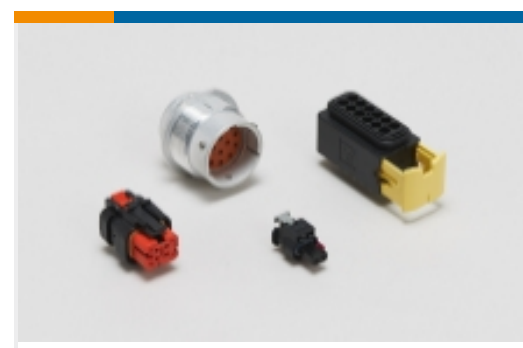
### Product Compliance Disclaimer

This information is provided based on reasonable inquiry of our suppliers and represents our current actual knowledge based on the information they provided. This information is subject to change. The part numbers that TE has identified as EU RoHS compliant have a maximum concentration of 0.1% by weight in homogenous materials for lead, hexavalent chromium, mercury, PBB, PBDE, DBP, BBP, DEHP, DIBP, and 0.01% for cadmium, or qualify for an exemption to these limits as defined in the Annexes of Directive 2011/65/EU (RoHS2). Finished electrical and electronic equipment products will be CE marked as required by Directive 2011/65/EU. Components may not be CE marked. Additionally, the part numbers that TE has identified as EU ELV compliant have a maximum concentration of 0.1% by weight in homogenous materials for lead, hexavalent chromium, and mercury, and 0.01% for cadmium, or qualify for an exemption to these limits as defined in the Annexes of Directive 2000/53/EC (ELV). Regarding the REACH Regulation, the information TE provides on SVHC in articles for this part number is based on the latest European Chemicals Agency (ECHA) 'Guidance on requirements for substances in articles' posted at this URL: <https://echa.europa.eu/guidance-documents/guidance-on-reach>

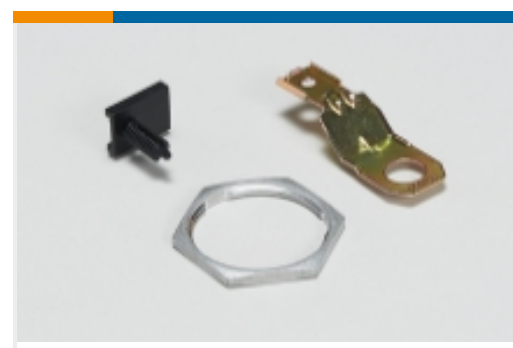
## Compatible Parts



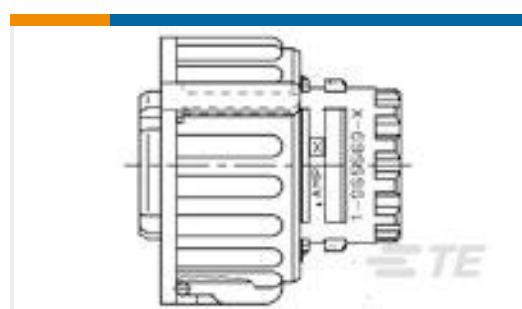
Also in the Series | **Superseal Pro**

Automotive Connector Caps & Covers  
(14)

Automotive Housings(87)

Other Automotive Connector  
Accessories(1)

## Customers Also Bought

TE Part #1452997-1  
76 POS 2-NDRAY LOCK BIGTE Part #1452408-1  
2-NDRY F58 POS. CONNECTORTE Part #2050046-1  
2POS 2.8MM SENSOR PLUG ASSY.TE Part #2050052-1  
4POS 2.8MM SENSOR PLUG ASSY.TE Part #1-1452424-2  
BLIND PLUG FOR MCON 1.2 CB (1.TE Part #2050049-1  
3POS 2.8MM SENSOR PLUG ASSYTE Part #2050780-2  
COVER FOR 4P SENSOR  
CONNECTORTE Part #2050831-2  
JCOVER FOR 2P SENSOR  
CONNECTORTE Part #1-1813099-2  
2.5mm SOCKET HSG ASSEMBLY  
(BLACK 3POS)TE Part #9-1452931-9  
76POS,MCON 1.2 CB,REC HSG,ASSY,  
SLD

## Documents

### Product Drawings

[COVER FOR 3P SENSOR CONNECTOR](#)

English

### CAD Files

[3D PDF](#)

[3D](#)

[Customer View Model](#)

[ENG\\_CVM\\_CVM\\_2050832-2\\_B.2d\\_dxf.zip](#)



English

**Customer View Model**

[ENG\\_CVM\\_CVM\\_2050832-2\\_B.3d\\_igs.zip](#)

English

**Customer View Model**

[ENG\\_CVM\\_CVM\\_2050832-2\\_B.3d\\_stp.zip](#)

English

By downloading the CAD file I accept and agree to the [Terms and Conditions](#) of use.

**Product Specifications**

[Product Specification](#)

English