

2050831-2 ✓ ACTIVE

AMP | Superseal Pro

TE Internal #: 2050831-2

Automotive Connector Caps & Covers, Backshell, Cable Exit Angle

180°, Black, Nylon 6/6, 2 Position, -40 – 248 °F [-40 – 120 °C],

Superseal Pro

[View on TE.com >](#)



Connectors > Automotive Connectors > Automotive Connector Accessories > Automotive Connector Caps & Covers



Protection & Strain Relief Accessory Type: **Backshell**

Cable Exit Angle: **180°**

Strain Relief: **Without**

Primary Product Color: **Black**

Primary Product Material: **Nylon 6/6**

Features

Product Type Features

Protection & Strain Relief Accessory Type	Backshell
Sealable	No

Configuration Features

Number of Positions	2
---------------------	---

Body Features

Cable Exit Angle	180°
Primary Product Color	Black
Primary Product Material	Nylon 6/6

Mechanical Attachment

Strain Relief	Without
---------------	---------

Usage Conditions

Operating Temperature (Max)	120 °C[248 °F]
Operating Temperature Range	-40 – 120 °C[-40 – 248 °F]



Product Compliance

[For compliance documentation, visit the product page on TE.com>](#)

EU RoHS Directive 2011/65/EU	Compliant
EU ELV Directive 2000/53/EC	Compliant
China RoHS 2 Directive MIIT Order No 32, 2016	No Restricted Materials Above Threshold
EU REACH Regulation (EC) No. 1907/2006	Current ECHA Candidate List: JAN 2023 (233) Candidate List Declared Against: JUNE 2022 (224) Does not contain REACH SVHC
Halogen Content	Low Halogen - Br, Cl, F, I < 900 ppm per homogenous material. Also BFR/CFR/PVC Free
Solder Process Capability	Not reviewed for solder process capability

Product Compliance Disclaimer

This information is provided based on reasonable inquiry of our suppliers and represents our current actual knowledge based on the information they provided. This information is subject to change. The part numbers that TE has identified as EU RoHS compliant have a maximum concentration of 0.1% by weight in homogenous materials for lead, hexavalent chromium, mercury, PBB, PBDE, DBP, BBP, DEHP, DIBP, and 0.01% for cadmium, or qualify for an exemption to these limits as defined in the Annexes of Directive 2011/65/EU (RoHS2). Finished electrical and electronic equipment products will be CE marked as required by Directive 2011/65/EU. Components may not be CE marked. Additionally, the part numbers that TE has identified as EU ELV compliant have a maximum concentration of 0.1% by weight in homogenous materials for lead, hexavalent chromium, and mercury, and 0.01% for cadmium, or qualify for an exemption to these limits as defined in the Annexes of Directive 2000/53/EC (ELV). Regarding the REACH Regulation, the information TE provides on SVHC in articles for this part number is based on the latest European Chemicals Agency (ECHA) 'Guidance on requirements for substances in articles' posted at this URL: <https://echa.europa.eu/guidance-documents/guidance-on-reach>

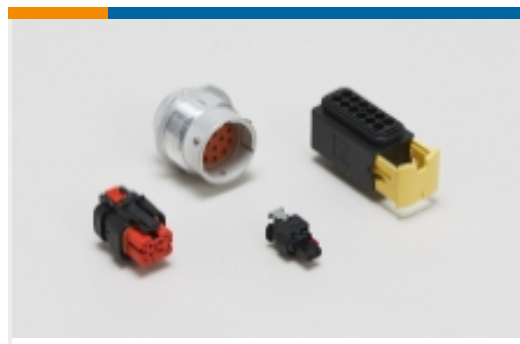
Compatible Parts

 <p>TE Part # 2345388-1 2POS,AMP MCP 2.8,REC HSG ASSY, SLD,COD 1</p>	 <p>TE Part # 2345388-2 2POS,AMP MCP 2.8,REC HSG ASSY, SLD,COD 2</p>
---	---

Also in the Series | [Superseal Pro](#)



Automotive Connector Caps & Covers
(14)



Automotive Housings(87)



Other Automotive Connector
Accessories(1)

Customers Also Bought



TE Part #2050832-2
COVER FOR 3P SENSOR
CONNECTOR



TE Part #1452997-1
76 POS 2-NDRAY LOCK BIG



TE Part #1452408-1
2-NDRY F58 POS. CONNECTOR



TE Part #2050046-1
2POS 2.8MM SENSOR PLUG ASSY.



TE Part #2050052-1
4POS 2.8MM SENSOR PLUG ASSY.



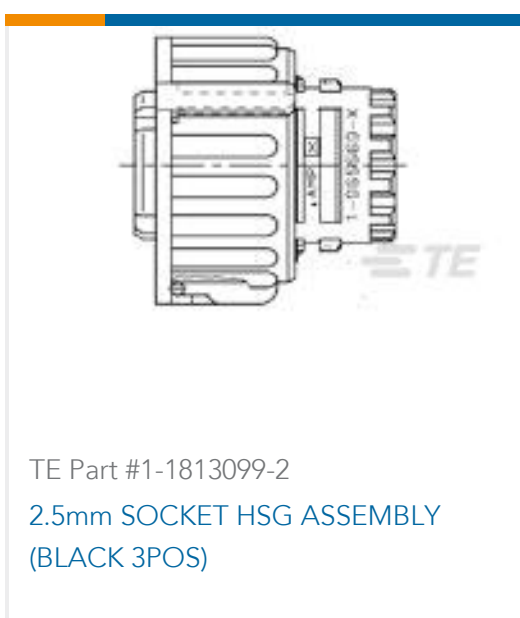
TE Part #1-1452424-2
BLIND PLUG FOR MCON 1.2 CB (1)



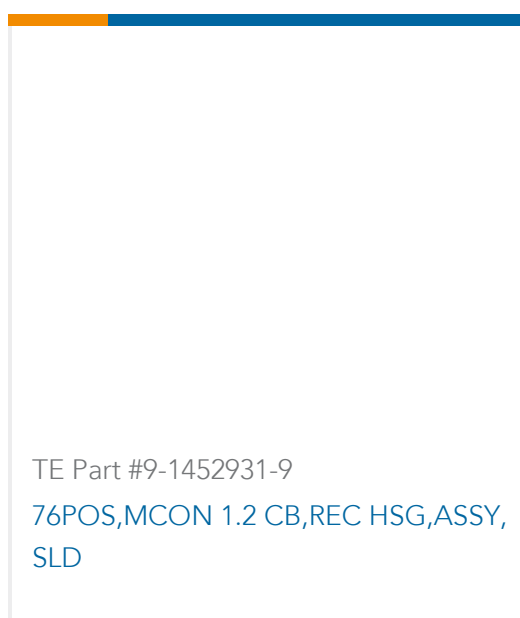
TE Part #2050049-1
3POS 2.8MM SENSOR PLUG ASSY



TE Part #2050780-2
COVER FOR 4P SENSOR
CONNECTOR



TE Part #1-1813099-2
2.5mm SOCKET HSG ASSEMBLY
(BLACK 3POS)



TE Part #9-1452931-9
76POS,MCON 1.2 CB,REC HSG,ASSY,
SLD

Documents

Product Drawings

JCOVER FOR 2P SENSOR CONNECTOR

English

CAD Files

3D PDF

3D

Customer View Model

ENG_CVM_CVM_2050831-2_B.2d_dxf.zip



English

Customer View Model

[ENG_CVM_CVM_2050831-2_B.3d_igs.zip](#)

English

Customer View Model

[ENG_CVM_CVM_2050831-2_B.3d_stp.zip](#)

English

By downloading the CAD file I accept and agree to the [Terms and Conditions](#) of use.

Product Specifications

[Product Specification](#)

English