



Features

- Size: 12.7 mm diameter, 12.7 mm length
- Long service life
- High surge current rated
- Low capacitance and insertion loss
- Tube with contact terminals available
- RoHS compliant* versions available

Applications

- Telecommunications equipment
- Industrial equipment/electronics

2047 Series High Current 2-Electrode Gas Discharge Tube

Characteristics

Test Methods per ITU-T (CCITT) K.12, IEEE C62.31

Characteristic	Model No.			
	2047-09	2047-15	2047-23	2047-35
DC Sparkover $\pm 20\%$ @ 100 V/s ($\pm 25\%$ @ 100 V/s After Life)	90 V	150 V	230 V	350 V
Impulse Sparkover				
100 V/ μ s Typical / For 99 % of Values	350 / 450 V	350 / 450 V	450 / 500 V	475 / 550 V
1000 V/ μ s Typical / For 99 % of Values	600 / 650 V	550 / 600 V	600 / 650 V	725 / 800 V

Impulse values are estimated and typical; not maximum.

Insulation Resistance (IR)	50 V / 100 V	> 10 ⁹ Ω
Glow Voltage	10 mA	~ 80 V
Arc Voltage	@ 2 A	~ 12 V
Glow-Arc Transition Current		< 1 A
Capacitance	1 MHz	< 5 pF
Impulse Discharge Current	> 40,000 A, 8/20 μ s	> 10 operations
	> 4,000 A, 10/350 μ s	> 10 operations
	> 8,000 A, 10/350 μ s	> 1 operation
Impulse Life	> 1,000 A 10/1000 μ s	> 1000 operations
Alternating Discharge Current	> 20 A, 1 sec.	> 20 operations
	> 40 A, 1 sec.	1 operation min.
	> 200 A, 11 cycles	1 operation min.
Operating and Storage Temperature,		-40 to +90 °C
Climatic Category (IEC 60068-1)		40/90/21

Note: At delivery AQL 0.65, level II DIN ISO 2859

How to Order

	2047 - xx - X LF
Model Number Designator	_____
Voltage (Divided by 10)	_____
09 = 90 V	23 = 230 V
15 = 150 V	35 = 350 V
Contact Terminals	_____
A = None	
B = Optional	
Packaging	_____
Blank = Bulk Packaging (Standard) - 50 pcs. per box	
Plating Option	_____
Blank = Standard Product - Tin/Lead Plating	
LF = RoHS Compliant Product - Sn Plating	
Ni = RoHS Compliant Product - Nickel Plating	

BOURNS®

Asia-Pacific: Tel: +886-2 2562-4117 • Fax: +886-2 2562-4116

Europe: Tel: +41-41 768 5555 • Fax: +41-41 768 5510

The Americas: Tel: +1-951 781-5500 • Fax: +1-951 781-5700

www.bourns.com

*RoHS Directive 2002/95/EC Jan. 27, 2003 including annex and RoHS Recast 2011/65/EU June 8, 2011.

Specifications are subject to change without notice.

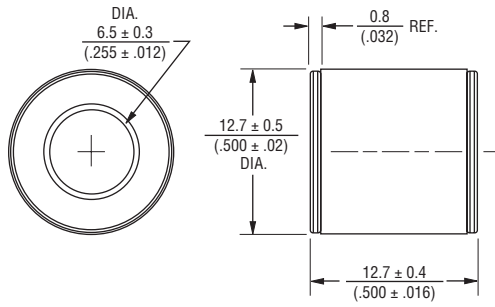
Customers should verify actual device performance in their specific applications.

2047 Series High Current 2-Electrode Gas Discharge Tube

BOURNS®

Product Dimensions

2047-xx-A



DIMENSIONS: $\frac{\text{MM}}{\text{(INCHES)}}$

2047-xx-B

