

2041517-1 ✓ ACTIVE

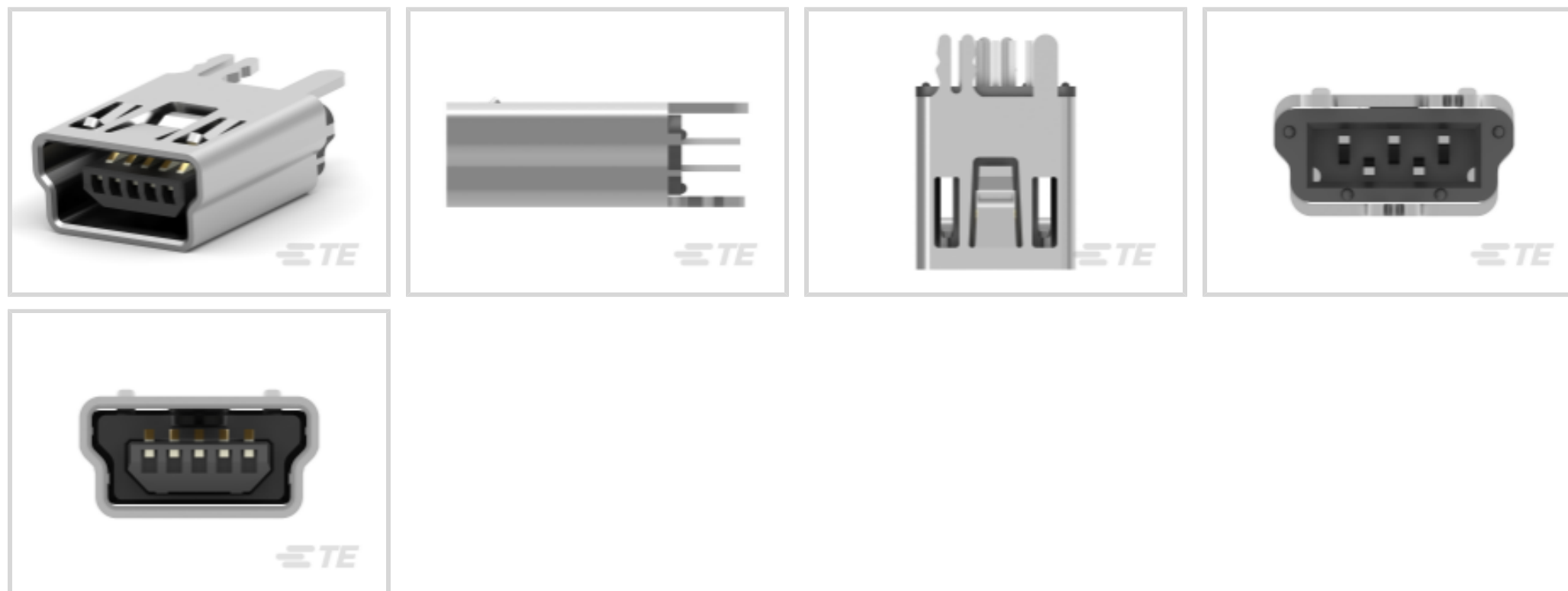
TE Internal #: 2041517-1

USB Connectors, B, 2.0, Mini Profile, Receptacle, 1 Port, Top, Vertical, Tape & Reel, Flush, Through Hole - Solder, Cable-to-Board, 5000, 5 Position

[View on TE.com >](#)



Connectors > Audio & Video Connectors > USB Connectors



USB Adapter Type: **B**

USB Version: **2.0**

Connector Profile: **Mini**

Connector & Housing Type: **Receptacle**

Number of Ports: **1**

## Features

### Product Type Features

|                                   |                       |
|-----------------------------------|-----------------------|
| Integral Locking Latch            | Without               |
| USB Adapter Type                  | B                     |
| USB Version                       | 2.0                   |
| Connector & Housing Type          | Receptacle            |
| Connector System                  | Cable-to-Board        |
| Connector & Contact Terminates To | Printed Circuit Board |
| USB Connector Type                | Mini USB 2.0 Type-B   |

### Configuration Features

|                     |   |
|---------------------|---|
| Number of Ports     | 1 |
| Number of Positions | 5 |

### Body Features

|                        |                 |
|------------------------|-----------------|
| Shell Plating Finish   | Bright          |
| Shell Plating Material | Tin over Nickel |
| Connector Profile      | Mini            |



### Contact Features

|  |   |
|--|---|
| Contact Mating Area Plating Material Thickness | .76 $\mu\text{m}$ [29.92 $\mu\text{in}$ ] |
| Contact Mating Area Plating Material           | Gold                                      |
| Contact Current Rating (Max)                   | 1 A                                       |

### Termination Features

|   |                       |
|---|-----------------------|
| Termination Post & Tail Length              | 2 mm[.079 in]         |
| Termination Method to Printed Circuit Board | Through Hole - Solder |

### Mechanical Attachment

|                          |             |
|--------------------------|-------------|
| Locking Feature          | With        |
| PCB Mount Location       | Top         |
| PCB Connector Seating    | Flush       |
| PCB Mount Retention Type | Boardlock   |
| Connector Mounting Type  | Board Mount |

### Housing Features

|                    |                |
|--------------------|----------------|
| Housing Material   | PA 9T          |
| Housing Color      | Black          |
| Body Orientation   | Vertical       |
| Centerline (Pitch) | .8 mm[.031 in] |

### Dimensions

|                             |                 |
|-----------------------------|-----------------|
| PCB Thickness (Recommended) | 1.6 mm[.063 in] |
|-----------------------------|-----------------|

### Usage Conditions

|                             |   |
|-----------------------------|---|
| Soldering Temperature (Max) | 260 $^{\circ}\text{C}$ [500 $^{\circ}\text{F}$ ]            |
| Mating Cycles (Max)         | 5000  |
| Operating Temperature Range | -40 – 85 $^{\circ}\text{C}$ [-40 – 185 $^{\circ}\text{F}$ ] |

### Operation/Application

|                     |                |
|---------------------|----------------|
| Halogen Free        | No             |
| Circuit Application | Power & Signal |

### Industry Standards

|                            |          |
|----------------------------|----------|
| Moisture Sensitivity Level | 1        |
| Industry Standard          | USB 2.0  |
| UL Flammability Rating     | UL 94V-0 |

### Packaging Features



|                    |             |
|--------------------|-------------|
| Packaging Quantity | 1200        |
| Packaging Method   | Tape & Reel |

### Product Compliance




[For compliance documentation, visit the product page on TE.com>](#)

|   |   |
|---|---|
| EU RoHS Directive 2011/65/EU                  | Compliant   |
| EU ELV Directive 2000/53/EC                   | Compliant   |
| China RoHS 2 Directive MIIT Order No 32, 2016 | No Restricted Materials Above Threshold   |
| EU REACH Regulation (EC) No. 1907/2006        | Current ECHA Candidate List: JAN 2023 (233)<br>Candidate List Declared Against: JAN 2023 (233)<br>Does not contain REACH SVHC |
| Halogen Content                               | Not Low Halogen - contains Br or Cl > 900 ppm.  |
| Solder Process Capability                     | Reflow solder capable to 260°C  |

#### Product Compliance Disclaimer

This information is provided based on reasonable inquiry of our suppliers and represents our current actual knowledge based on the information they provided. This information is subject to change. The part numbers that TE has identified as EU RoHS compliant have a maximum concentration of 0.1% by weight in homogenous materials for lead, hexavalent chromium, mercury, PBB, PBDE, DBP, BBP, DEHP, DIBP, and 0.01% for cadmium, or qualify for an exemption to these limits as defined in the Annexes of Directive 2011/65/EU (RoHS2). Finished electrical and electronic equipment products will be CE marked as required by Directive 2011/65/EU. Components may not be CE marked. Additionally, the part numbers that TE has identified as EU ELV compliant have a maximum concentration of 0.1% by weight in homogenous materials for lead, hexavalent chromium, and mercury, and 0.01% for cadmium, or qualify for an exemption to these limits as defined in the Annexes of Directive 2000/53/EC (ELV). Regarding the REACH Regulation, the information TE provides on SVHC in articles for this part number is based on the latest European Chemicals Agency (ECHA) 'Guidance on requirements for substances in articles' posted at this URL: <https://echa.europa.eu/guidance-documents/guidance-on-reach>

### Compatible Parts

|  |  |  |
|--|--|--|
|  <p>TE Part # 1734205-1<br/>MINI USB, TYPE B, PLUG. CABLE-KIT</p> |  <p>TE Part # 1496476-1<br/>STD USB-A TO MINI-B ASSY, 1M</p> |  <p>TE Part # 1929690-1<br/>USB CABLE, USB A to Mini USB,Blue</p> |
|--|--|--|

### Customers Also Bought



## Documents

### CAD Files

#### Customer View Model

[ENG\\_CVM\\_CVM\\_2041517-1\\_A.2d\\_dxf.zip](#)

English

### 3D PDF

3D

#### Customer View Model

[ENG\\_CVM\\_CVM\\_2041517-1\\_A.3d\\_igs.zip](#)

English

#### Customer View Model

[ENG\\_CVM\\_CVM\\_2041517-1\\_A.3d\\_stp.zip](#)

English

By downloading the CAD file I accept and agree to the [Terms and Conditions](#) of use.

### Product Specifications

#### Product Specification

English

#### Product Specification

English



---

**Product Environmental Compliance**

[MD\\_2041517-1\\_07302014635\\_dmtec](#)

English

[MD\\_2041517-1\\_07302014635\\_dmtec](#)

English