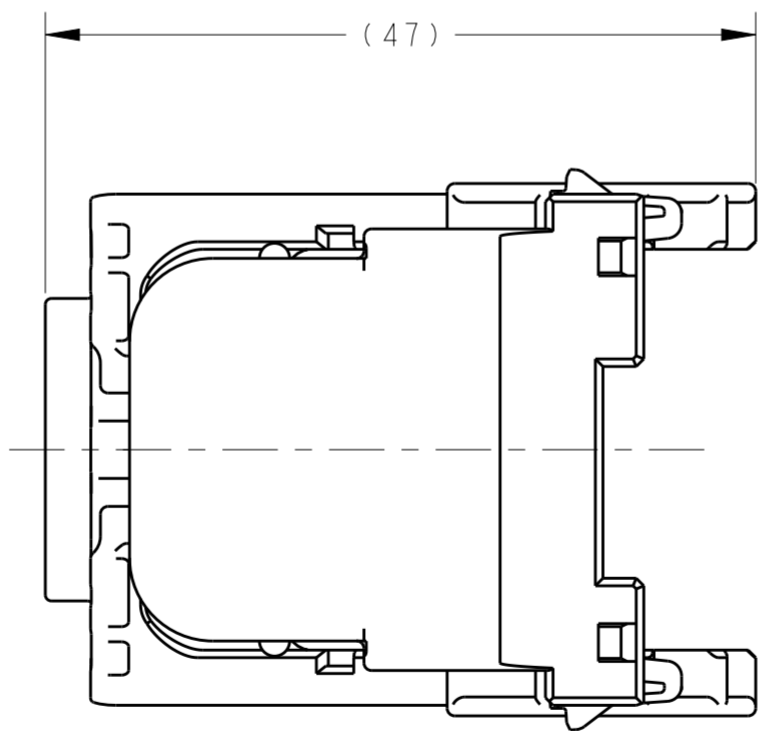
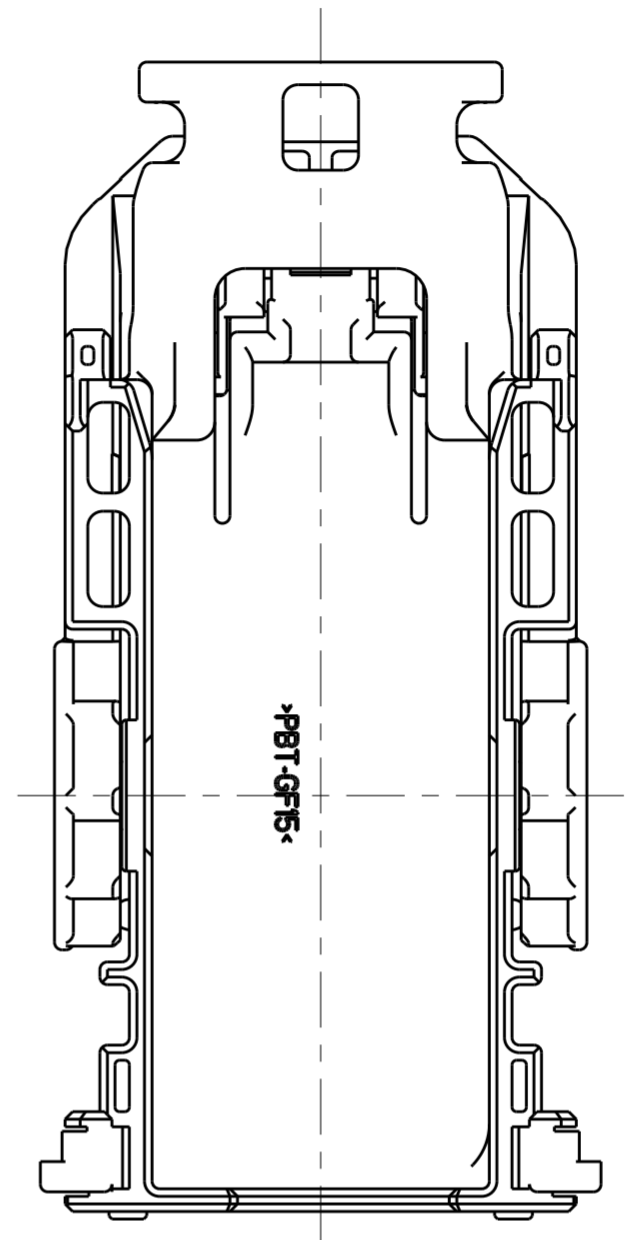
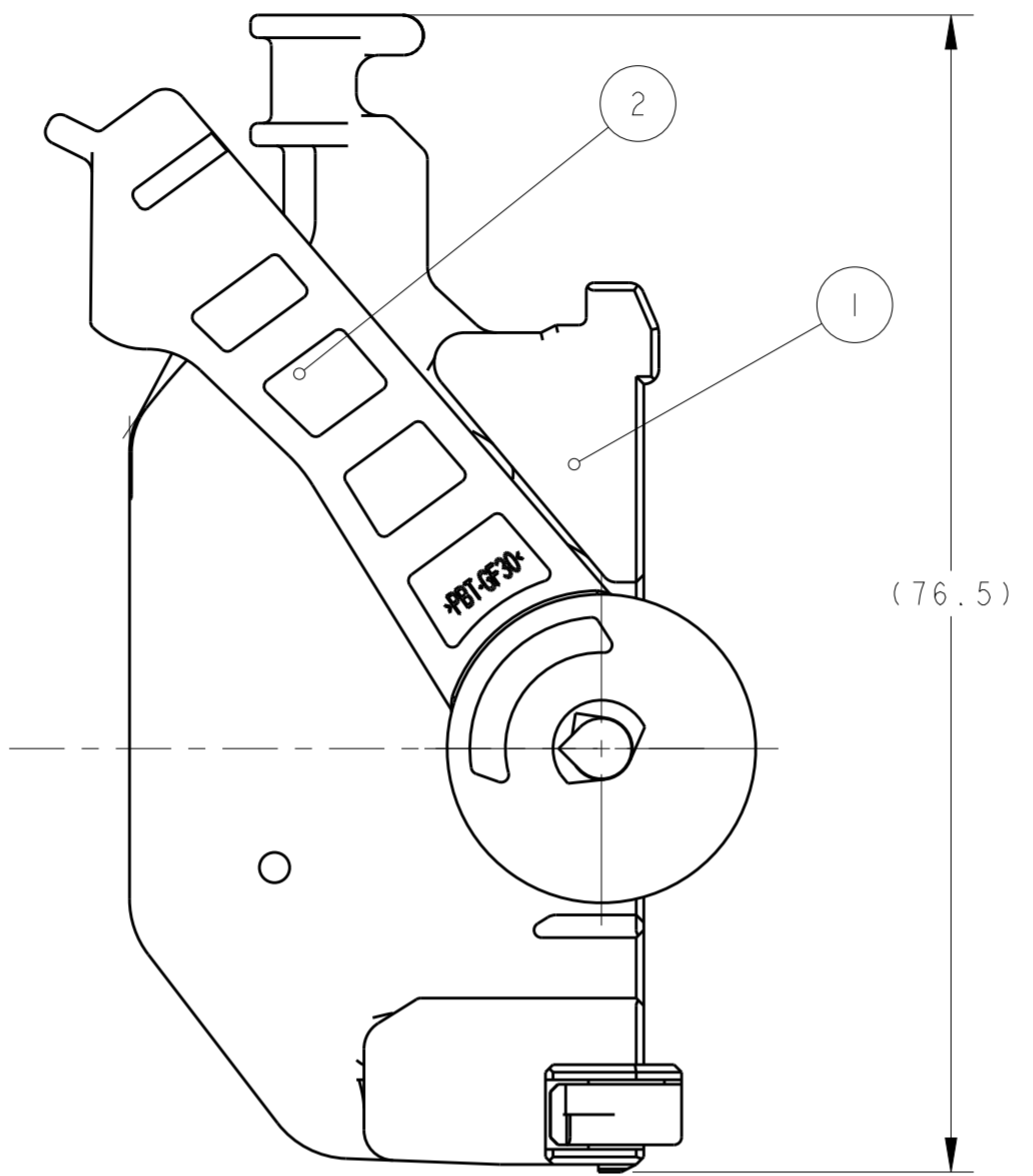
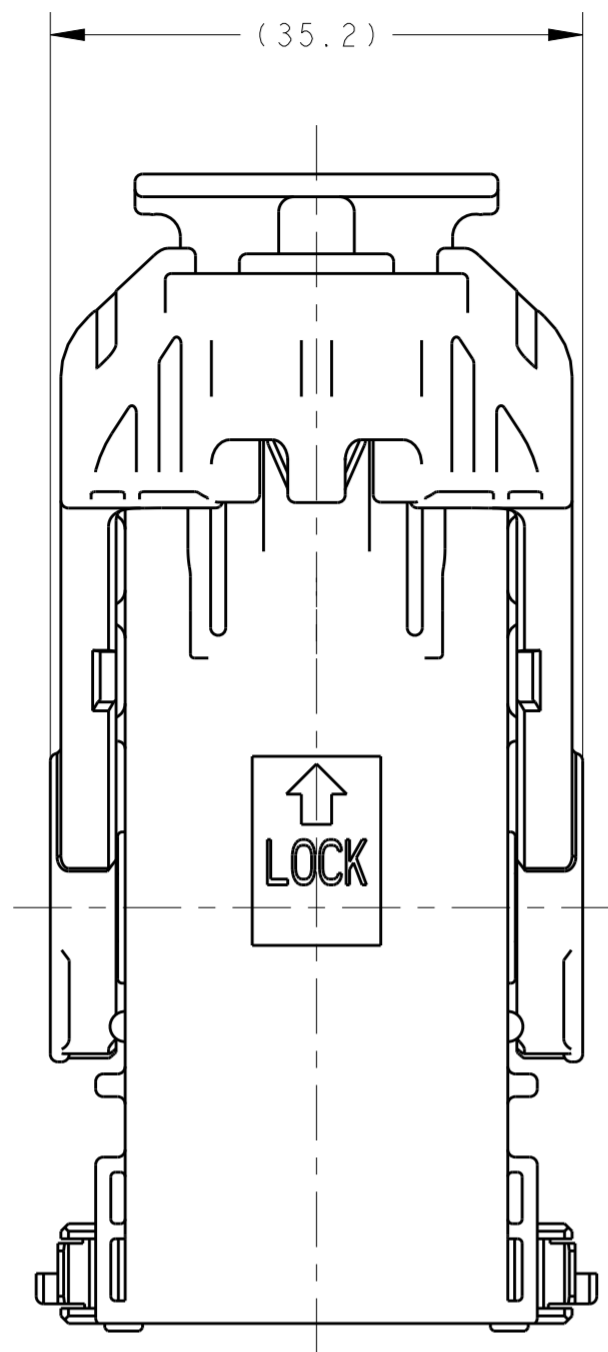


THIS DRAWING IS UNPUBLISHED. RELEASED FOR PUBLICATION 20
 © COPYRIGHT 2011 BY Tyco Electronics Japan G.K. ALL RIGHTS RESERVED.

LOC	DIST	REVISIONS					
J	-	P	LTR	DESCRIPTION	DATE	DWN	APVD
		A		RELEASED	15DEC15	K.S	T.K



- 1. MATING CONNECTOR
TE PART NUMBER: SEE TABLE-1
- 2. HANDLING OF THIS PART SHOULD FOLLOW
INSTRUCTION SHEET NO.408-78102
- 3. WIRE COVER IS ASSEMBLED BY CUSTOMER

- 1. 嵌合相手TE品番：TABLE-1参照
- 2. 本製品の取扱は取扱説明書NO.408-78102に従うこと
- 3. ワイヤカバーは顧客にて組み立てられる

TABLE-1

POS 極数	PLUG ASSEMBLY PART NO. プラグ型番
72	2040115

TABLE-2

PAPER BOX 段ボール箱	OUTER 外装	PACKING STYLE 梱包形態		
PAPER BOX 段ボール箱	INNER 内装			
I	GRAY	PBT	LEVER 72POS	2
I	BLACK	PBT	WIRE COVER 72POS	1
2040116-1	FINISH /COLOR	MATERIAL	NAME	ITEM NO.

THIS DRAWING IS A CONTROLLED DOCUMENT.		DWN K. SHIGA 15DEC15	TE Connectivity WIRE COVER ASSY 72POSITION 0.50/1.0/2.8 SEALED TYPE 186POS ワイヤカバー アッセンブリ 72極, 0.50/1.0/2.8 防水タイプ 186極	
DIMENSIONS: 単位: 概 mm		CHK E. SASAKI 15DEC15		
TOLERANCES UNLESS OTHERWISE SPECIFIED: 一般公差 ±0.3 0-PLC ±0.5 1-PLC ±0.5 2-PLC ±0.13 3-PLC ±0.013 4-PLC ±0.0001 ANGLES ±3°00'		APVD T. KOHNO 15DEC15		
MATERIAL 材料 SEE TABLE-2		PRODUCT SPEC 製品規格 108-140084	NAME 名称	RESTRICTED TO
FINISH 仕上 SEE TABLE-2		APPLICATION SPEC 取付適用規格 114-5400,-18148	SIZE 寸法 A200779	DRAWING NO. 番号 C-2040116
CUSTOMER DRAWING		WEIGHT 重量 26.2g	SCALE 縮尺 2:1	SHEET 枚数 1 OF 1