

2040115-1 ✓ ACTIVE

AMP | 0.50 Connector System

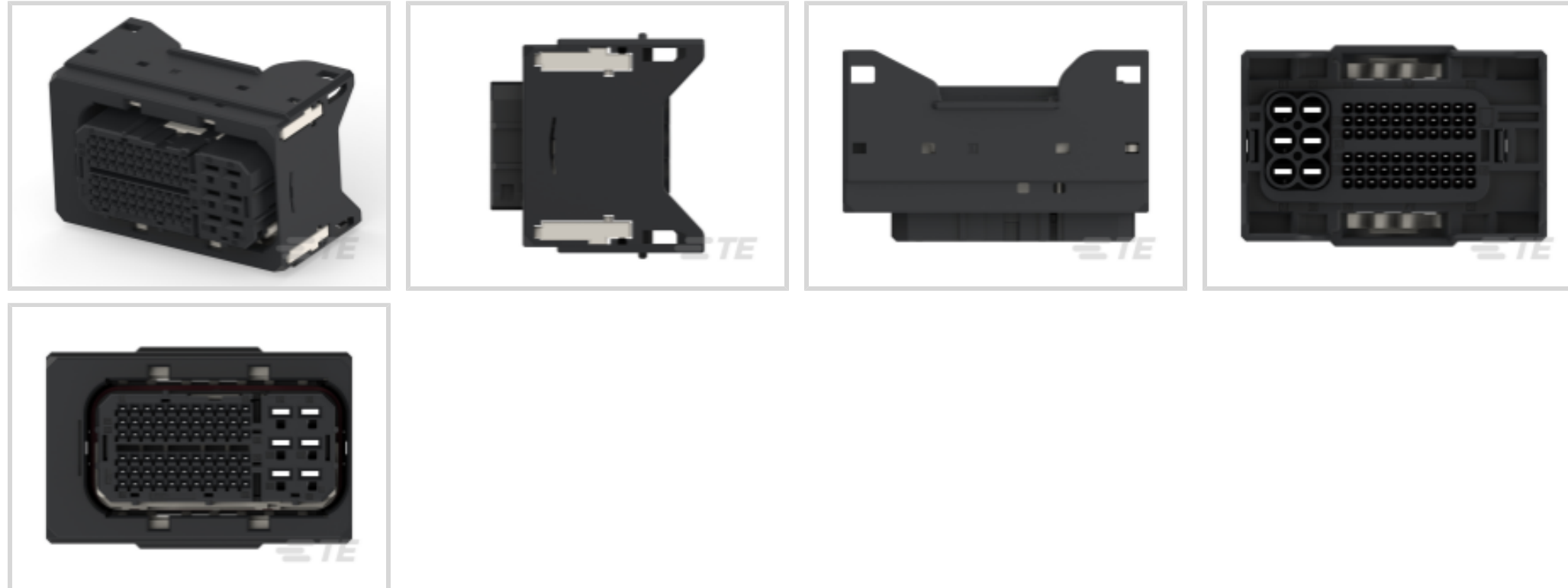
TE Internal #: 2040115-1

Housing for Female Terminals, Wire-to-Board, 72 Position, 2.4 mm / 5.7 mm [.1 in / .224 in] Centerline, Sealable, Black, 0.50 Connector System

[View on TE.com >](#)



Connectors > Automotive Connectors > Automotive Housings



Connector System: **Wire-to-Board**

Number of Positions: **72**

Connector & Housing Type: **Housing for Female Terminals**

Centerline (Pitch): **2.4 mm, 5.7 mm [.1 in, .224 in]**

Sealable: **Yes**

Features

Product Type Features

Mixed & Hybrid Connector	Yes
Connector System	Wire-to-Board
Connector & Housing Type	Housing for Female Terminals
Sealable	Yes
Connector & Contact Terminates To	Wire & Cable
Primary Locking Feature	Integrated in Housing

Configuration Features

Number of Positions	72
Number of Rows	6

Electrical Characteristics

Nominal Voltage Architecture	12 V
------------------------------	------

Body Features

Primary Product Color	Black
-----------------------	-------



Contact Features

Mating Tab Width	.5 mm, 2.8 mm [.02 in] [.11 in]
------------------	---------------------------------

Mechanical Attachment

Connector Mounting Type	Cable Mount (Free-Hanging)
-------------------------	----------------------------

Housing Features

Centerline (Pitch)	2.4 mm, 5.7 mm [.1 in] [.224 in]
--------------------	----------------------------------

Usage Conditions

Operating Temperature (Max)	105 °C [221 °F]
Operating Temperature Range	-40 – 105 °C [-40 – 221 °F]

Other

Connector Position Assurance Capable	No
--------------------------------------	----

Product Compliance


[For compliance documentation, visit the product page on TE.com>](#)

EU RoHS Directive 2011/65/EU	Compliant
EU ELV Directive 2000/53/EC	Compliant
China RoHS 2 Directive MIIT Order No 32, 2016	No Restricted Materials Above Threshold
EU REACH Regulation (EC) No. 1907/2006	Current ECHA Candidate List: JUNE 2024 (241) Candidate List Declared Against: JUNE 2024 (241) Does not contain REACH SVHC
Halogen Content	Low Halogen - Br, Cl, F, I < 900 ppm per homogenous material. Also BFR/CFR/PVC Free
Solder Process Capability	Not reviewed for solder process capability

Product Compliance Disclaimer

This information is provided based on reasonable inquiry of our suppliers and represents our current actual knowledge based on the information they provided. This information is subject to change. The part numbers that TE has identified as EU RoHS compliant have a maximum concentration of 0.1% by weight in homogenous materials for lead, hexavalent chromium, mercury, PBB, PBDE, DBP, BBP, DEHP, DIBP, and 0.01% for cadmium, or qualify for an exemption to these limits as defined in the Annexes of Directive 2011/65/EU (RoHS2). Finished electrical and electronic equipment products will be CE marked as required by Directive 2011/65/EU. Components may not be CE marked. Additionally, the part numbers that TE has identified as EU ELV compliant have a maximum concentration of 0.1% by weight in homogenous materials for lead, hexavalent chromium, and mercury, and 0.01% for cadmium, or qualify for an exemption to these limits as defined in the Annexes of Directive 2000/53/EC (ELV). Regarding the REACH Regulation, the information TE provides on SVHC in articles for this part number is based on the latest European Chemicals Agency (ECHA) 'Guidance on requirements for substances in articles' posted at this URL: <https://echa.europa.eu/guidance-documents/guidance-on-reach>

Compatible Parts




TE Part # 2261071-2
0.5/1.0/2.8 SEALED CONN 186P CAP ASSY


Also in the Series | 0.50 Connector System




Automotive Connector Caps & Covers (20)




Automotive Housings(52)



Automotive Terminals(13)



Connector Seals & Cavity Plugs(2)



Insertion & Extraction Tools(1)



PCB Headers & Receptacles(36)

Customers Also Bought



TE Part #1318745-5
Signal Header



TE Part #1-2112891-2
36POS, TAB 1.5X0.6, TAB HSG, ASSY



TE Part #CH03566001
QSZH-125-NR3-30MM



TE Part #953318-2
1W HSG FOR DIESEL PLUG



TE Part #1612121-5
SQUIB 2POS PLUG HSG



TE Part #2040113-1
0.50/1.0/2.8 SEALED LEVER 114POS



TE Part #2-368050-1
E-S MK-2(+) 16P CAP HSG

TE Part #2261071-2
0.5/1.0/2.8 SEALED CONN 186P CAP ASSY

TE Part #2307642-1
8POS,ECONOSEAL,REC HSG ASSY, SLD

Documents

Product Drawings

0.50/1.0/2.8 SEALED PLUG ASSY 72POS

Japanese

CAD Files

Customer View Model

[ENG_CVM_CVM_2040115-1_A1.3d_igs.zip](#)

English

Customer View Model

[ENG_CVM_CVM_2040115-1_A1.3d_stp.zip](#)

English

3D PDF

3D

Customer View Model

[ENG_CVM_CVM_2040115-1_A1.2d_dxf.zip](#)

English

By downloading the CAD file I accept and agree to the [Terms and Conditions](#) of use.

Product Specifications

Product Specification

Japanese

Instruction Sheets

Instruction Sheet (U.S.)

Japanese