

PLEASE CHECK WWW.MOLEX.COM FOR LATEST PART INFORMATION

Part Number: [2037000080](#)
Status: **Active**
Overview: [Mini50 Connection Systems](#)
Description: Mini50 Inline Plug Housing, Single Row, 8 Circuits, Polarization A, with CPA, Black

Documents:

3D Model	Application Specification 2037000001AS-000 (PDF)
3D Model (PDF)	Packaging Specification PK-31301-898-001 (PDF)
Drawing (PDF)	RoHS Certificate of Compliance (PDF)
Product Specification 2037000001 PS-000 (PDF)	

General

Product Family	Crimp Housings
Series	203700
Application	Automotive, Power, Wire-to-Board
Overview	Mini50 Connection Systems
Polarization	A
Product Name	Mini50
UPC	193264260195

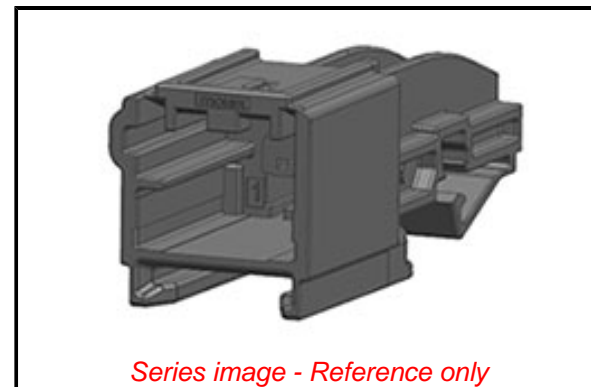
Physical

Circuits (maximum)	8
Color - Resin	Black
Gender	Plug
Glow-Wire Capable	No
Keying to Mating Part	Yes
Lock to Mating Part	Yes
Material - Resin	PBT
Net Weight	2.860/g
Number of Rows	1
Packaging Type	Bag
Panel Mount	No
Pitch - Mating Interface	2.00mm
Polarized to Mating Part	Yes
Stackable	No
Temperature Range - Operating	-40° to +105°C

Material Info

Reference - Drawing Numbers

Application Specification	2037000001_AS-000
Packaging Specification	PK-31301-898-001
Product Specification	2037000001_PS-000
Sales Drawing	2037000003-000



EU ELV

Compliant

EU RoHS

Compliant

REACH SVHC

Not Contained Per -
D(2020)4578-DC (25
June 2020)

Halogen-Free

Status

Low-Halogen

For more information, please visit [Contact US](#)

China ROHS

ELV

RoHS Phthalates

China RoHS

Green Image

Compliant

Not Contained

Search Parts in this Series

[203700 Series](#)

Mates With

[Mini50 Unsealed Receptacle with CPA
347915180](#)