

**PLEASE CHECK WWW.MOLEX.COM FOR LATEST PART INFORMATION**

**Part Number:** [2037000020](#)  
**Status:** **Active**  
**Overview:** [Mini50 Connection Systems](#)  
**Description:** [Mini50 Inline Plug Housing, Single Row, 2 Circuits, Polarization A, Black](#)

**Documents:**

<a href="#">3D Model</a>	<a href="#">Application Specification 2037000001AS-000 (PDF)</a>
<a href="#">Drawing (PDF)</a>	<a href="#">Packaging Specification PK-31301-898-001 (PDF)</a>
<a href="#">3D Model (PDF)</a>	<a href="#">RoHS Certificate of Compliance (PDF)</a>
<a href="#">Product Specification 2037000001_PS-000 (PDF)</a>	

**General**

Product Family	Crimp Housings
Series	<a href="#">203700</a>
Application	Automotive, Power, Wire-to-Board
Overview	<a href="#">Mini50 Connection Systems</a>
Polarization	A
Product Name	Mini50
UPC	191128792257

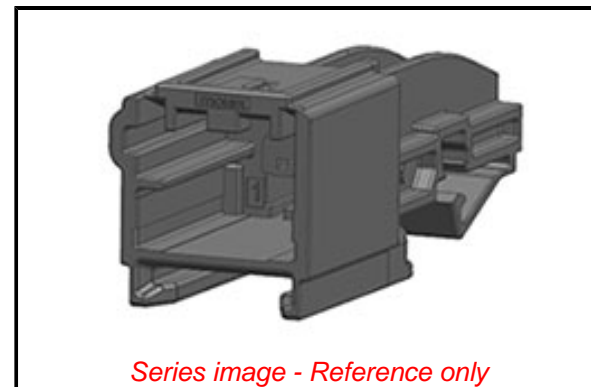
**Physical**

Circuits (maximum)	2
Color - Resin	Black
Gender	Plug
Glow-Wire Capable	No
Keying to Mating Part	Yes
Lock to Mating Part	Yes
Material - Resin	PBT
Net Weight	1.490/g
Number of Rows	1
Packaging Type	Bag
Panel Mount	No
Pitch - Mating Interface	2.00mm
Polarized to Mating Part	Yes
Stackable	No
Temperature Range - Operating	-40° to +105°C

**Material Info**

**Reference - Drawing Numbers**

Application Specification	2037000001_AS-000
Packaging Specification	PK-31301-898-001
Product Specification	2037000001_PS-000
Sales Drawing	2037000003-000



**EU ELV**

**Not Reviewed**

**EU RoHS**

**Not Reviewed**

**REACH SVHC**

Not Reviewed

**Halogen-Free**

**Status**

**Not Reviewed**

For more information, please visit [Contact US](#)

China ROHS

Not Reviewed

ELV

Not Reviewed

RoHS Phthalates

Not Reviewed

**Search Parts in this Series**

[203700 Series](#)

**Mates With**

Mini50 Unsealed Receptacle [347910020](#)