

**PLEASE CHECK WWW.MOLEX.COM FOR LATEST PART INFORMATION**

**Part Number:** [2035552112](#)  
**Status:** **Active**  
**Overview:** CP Wire-to-Board and Wire-to-Wire Connector Systems  
**Description:** CP-6.5 Header, 6.50mm Pitch, Dual Row, Right-Angle, Polarized, Surface Mount, Tube Packaging, 2 Circuit, Blue

**Documents:**

[Drawing \(PDF\)](#) [Test Summary 2035550001-TS-000 \(PDF\)](#)  
[Product Specification 2035550001-PS-000 \(PDF\)](#) [RoHS Certificate of Compliance \(PDF\)](#)

**Agency Certification**

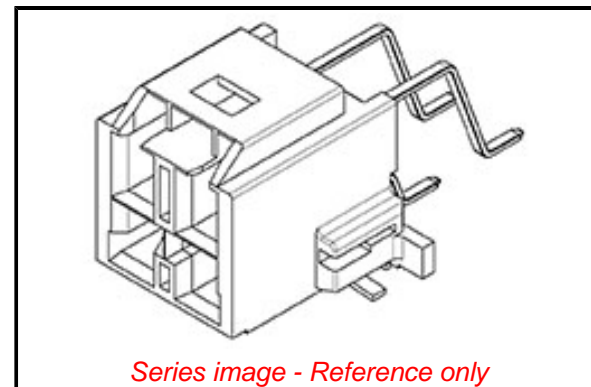
UL E29179

**General**

Product Family PCB Headers  
 Series [203555](#)  
 Application Power, Wire-to-Board  
 CURRENT-MAX-NUMERIC 10.0  
 Comments See Product Specification for maximum current rating by circuit size and wire AWG, See Product Specification for maximum current rating by circuit size and wire AWG  
 Datasheet Order No 987651-1601  
 Overview [CP Wire-to-Board and Wire-to-Wire Connector Systems](#)  
 PITCH-MATING-NUMERIC 6.50  
 Product Name CP-6.5  
 UPC 191130538560

**Physical**

Breakaway No  
 Circuits (Loaded) 2  
 Circuits (maximum) 2  
 Color - Resin Blue  
 Durability (mating cycles max) 30  
 First Mate / Last Break No  
 Flammability 94V-0  
 Glow-Wire Capable No  
 Guide to Mating Part No  
 Keying to Mating Part Yes  
 Lock to Mating Part Yes  
 Material - Metal Copper Alloy  
 Material - Plating Mating Matte Tin  
 Material - Plating Termination Matte Tin  
 Material - Resin Nylon  
 Number of Rows 2  
 Orientation Right Angle  
 PCB Locator Yes  
 PCB Retention Yes  
 Packaging Type Tube  
 Pitch - Mating Interface 6.50mm  
 Pitch - Termination Interface 6.50mm  
 Plating min - Mating 1.270µm  
 Plating min - Termination 1.270µm  
 Polarized to Mating Part Yes  
 Polarized to PCB Yes  
 Temperature Range - Operating -40° to +105°C  
 Termination Interface: Style Surface Mount



Series image - Reference only

**EU ELV**

**Not Reviewed**

**EU RoHS**

**Not Reviewed**

**REACH SVHC**

Not Reviewed

**Halogen-Free**

**Status**

**Not Reviewed**

For more information, please visit [Contact US](#)

China ROHS

Not Reviewed

ELV

Not Reviewed

RoHS Phthalates

Not Reviewed

**Search Parts in this Series**

[203555 Series](#)

**Mates With**

CP-6.5 Receptacle Housing [1512072201](#)

**Electrical**

Current - Maximum per Contact

10.0A

Voltage - Maximum

600V AC (RMS)/DC

**Material Info****Reference - Drawing Numbers**

Product Specification

2035550001-PS-000

Sales Drawing

2035552000-SD-000

Test Summary

2035550001-TS-000

This document was generated on 06/06/2019

**PLEASE CHECK [WWW.MOLEX.COM](http://WWW.MOLEX.COM) FOR LATEST PART INFORMATION**