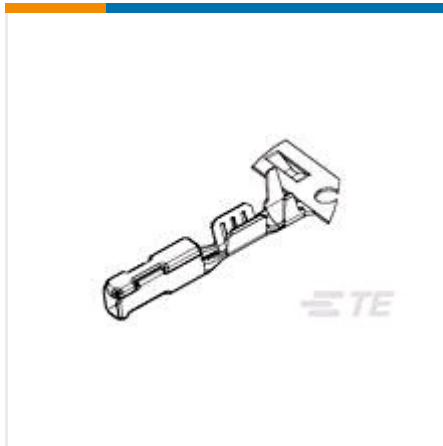




+ TERMINALS & SPLICES

AUTOMOTIVE, TRUCK, BUS, & OFF-ROAD TERMINALS



✓ Active

TE CONNECTIVITY (TE)

CONTACT, FEMALE 0.64, 18 AWG

Generation Y Connector System

2035334-2

TE Internal Number: 2035334-2

EU RoHS Compliant

EU ELV Compliant

Terminal & Splice Style Receptacle

Mating Tab Width .64 mm [.025 in]

Mating Tab Thickness .64 mm [.025 in]

Terminal Transmits 0 – 24 A (Low Power)

Wire Size (AWG) 18

[↓](#) **PRODUCT DRAWING**
English

[↓](#) **3D PDF**

DOCUMENTATION

Product Drawings

CONTACT, FEMALE, 0.64, GENERATION Y SEALED APPLICATIONS

PDF

English

CAD Files

Customer View Model

3D_IGS.ZIP

English

Customer View Model

3D_STP.ZIP

English

Customer View Model

2D_DXF.ZIP

English

3D PDF

PDF

3D

Product Specifications

Application Specification

Generation Y 0.64 Mm Contacts

PDF

English

Product Specification

0.64 Mm Generation Y Terminal

PDF

English

Qualification Test Report

0.64 Mm Generation Y Terminal

PDF

English

FEATURES



Please review product documents or [contact us](#) for the latest agency approval information.

Please Note: Use the Product Drawing for all design activity.

Product Type Features

Sealable Yes

Primary Locking Feature Clean Body

Wire Type Copper

Receptacle Style 180°

Body Features

Seal Type Family Seal

Contact Features

Crimp Type F-Crimp

Typical Current Rating (A) 10

Terminal & Splice Style Receptacle

Mating Tab Width .64 mm [.025 in]

Mating Tab Thickness .64 mm [.025 in]

Interface Plating Tin (Sn)

Contact Termination Area Plating Material Tin (Sn)

Termination Features

Termination Method Crimp

Dimensions

Wire Size (AWG) 18

Wire Size (mm²) .75 – .75

Wire Size Search (mm²) .75

Wire Insulation Diameter 2.06 mm [.081 in]

Usage Conditions

Operating Temperature Range -40 – 100 °C [-40 – 212 °F]

Industry Standards

Agency/Standard SAE/USCAR-2, USCAR-21

Packaging Features

Packaging Quantity 7500

Packaging Method Package

Other

Terminal Transmits 0 – 24 A (Low Power)

PRODUCT COMPLIANCE



Statement of Compliance

Statement of Compliance

PDF
