



Connectors > Automotive Connectors > Data Connectivity Systems > Data Connectivity Housings



Connector & Housing Type: **Housing for Male Terminals**

Connector System: **Wire-to-Wire**

Sealable: **No**

Operating Temperature (Max): **65 °C, 70 °C, 75 °C, 80 °C, 85 °C [ 149 °F, 158 °F, 167 °F, 176 °F, 185 °F ]**

Cable Exit Angle: **180°**

## Features

### Product Type Features

Mixed & Hybrid Connector	Yes
Connector & Contact Terminates To	Wire & Cable
Connector & Housing Type	Housing for Male Terminals
Connector System	Wire-to-Wire
Sealable	No

### Configuration Features

Snap-Lock	Without
-----------	---------

### Body Features

Cable Exit Type	Fixed
Ferrule	Without
Body Material	PA GF
Cable Exit Angle	180°

### Contact Features

Center Contact	Without
----------------	---------



Contact Mating Area Plating Material	Unplated
--------------------------------------	----------

RF Connector Center Contact Plating Material	None
--	------

### Mechanical Attachment

Connector Mounting Type	Cable Mount (Free-Hanging)
-------------------------	----------------------------

### Usage Conditions

Operating Temperature (Max)	65 °C, 70 °C, 75 °C, 80 °C, 85 °C [149 °F][158 °F][167 °F][176 °F][185 °F]
-----------------------------	--

Cable Type	Coax
------------	------

Operating Temperature Range	-40 – 85 °C [-40 – 185 °F]
-----------------------------	----------------------------

### Operation/Application

Circuit Application	Signal
---------------------	--------

### Industry Standards

Compatible With Agency/Standards Products	USCAR
---	-------

### Packaging Features

Packaging Quantity	5000
--------------------	------

### Other

Dielectric Material	None
---------------------	------

## Product Compliance

[For compliance documentation, visit the product page on TE.com>](#)

EU RoHS Directive 2011/65/EU	Compliant
------------------------------	-----------

EU ELV Directive 2000/53/EC	Compliant
-----------------------------	-----------

China RoHS 2 Directive MIIT Order No 32, 2016	No Restricted Materials Above Threshold
---	---

EU REACH Regulation (EC) No. 1907/2006	Current ECHA Candidate List: JUNE 2024 (241) Candidate List Declared Against: JAN 2024 (240) Does not contain REACH SVHC
--	--

Halogen Content	Low Halogen - Br, Cl, F, I < 900 ppm per homogenous material. Also BFR/CFR/PVC Free
-----------------	---

Solder Process Capability	Not applicable for solder process capability
---------------------------	--

Product Compliance Disclaimer



This information is provided based on reasonable inquiry of our suppliers and represents our current actual knowledge based on the information they provided. This information is subject to change. The part numbers that TE has identified as EU RoHS compliant have a maximum concentration of 0.1% by weight in homogenous materials for lead, hexavalent chromium, mercury, PBB, PBDE, DBP, BBP, DEHP, DIBP, and 0.01% for cadmium, or qualify for an exemption to these limits as defined in the Annexes of Directive 2011/65/EU (RoHS2). Finished electrical and electronic equipment products will be CE marked as required by Directive 2011/65/EU. Components may not be CE marked. Additionally, the part numbers that TE has identified as EU ELV compliant have a maximum concentration of 0.1% by weight in homogenous materials for lead, hexavalent chromium, and mercury, and 0.01% for cadmium, or qualify for an exemption to these limits as defined in the Annexes of Directive 2000/53/EC (ELV). Regarding the REACH Regulation, the information TE provides on SVHC in articles for this part number is based on the latest European Chemicals Agency (ECHA) 'Guidance on requirements for substances in articles' posted at this URL: <https://echa.europa.eu/guidance-documents/guidance-on-reach>

## Compatible Parts



TE Part # CAT-N57-GYTH68  
Generation Y Terminals, 68POS Hybrid



TE Part # 1924968-8  
CONTACT, MALE 0.64, 0.35SQMM



TE Part # 1924968-5  
CONTACT, MALE 0.64, .13SQMM



TE Part # 1924968-6  
CONTACT, MALE 0.64, 0.35SQMM



TE Part # 1924968-7  
CONTACT, MALE 0.64, .13SQMM



TE Part # 5-1924856-9  
2POS,FAKRA IV,SOC OUTER HSG ASSY,KEY I

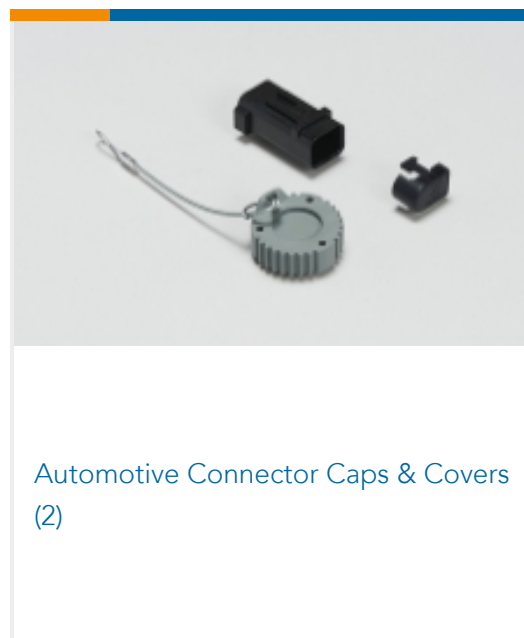


TE Part # 6-1924856-1  
PLUG HOUSING, 2 POSN, FAKRA, KEY L, CLP




TE Part # 7-1924855-1  
JACK HOUSING, 2 POSN, FAKRA, Key A,Power

## Also in the Series | FAKRA RF Connector System



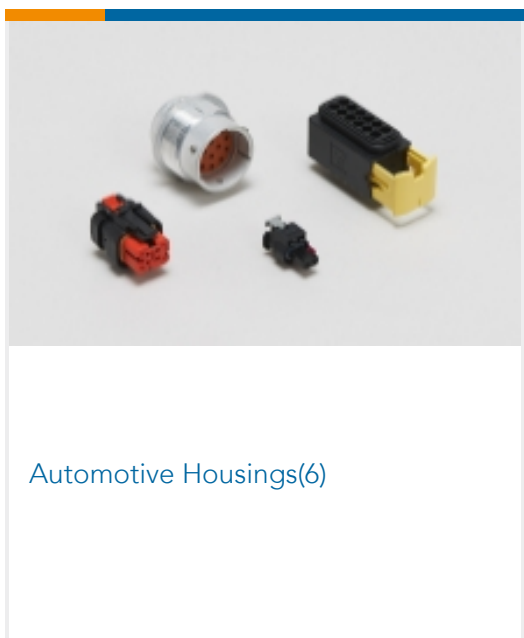
Automotive Connector Caps & Covers (2)



Automotive Connector EMC Shielding (6)



Automotive Connector Locks & Position Assurance(8)



Automotive Housings(6)



Automotive Terminals(30)



Coax Connectors(1)



Connector Contacts(1)



Data Connectivity Headers(367)



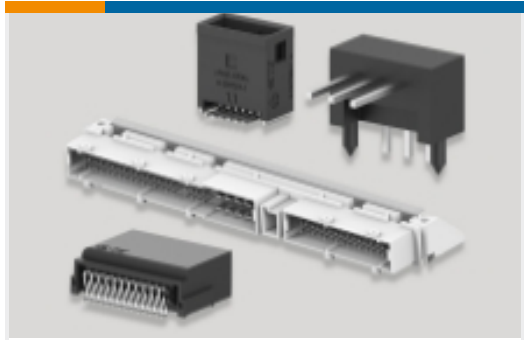
Data Connectivity Housings(515)



Infotainment & Multimedia Cable Assemblies(1)



Other Automotive Connector Accessories(28)



PCB Headers & Receptacles(2)



RF Contacts(6)

## Customers Also Bought



TE Part #DT04-2P  
REC, 2P, GRY, N



TE Part #DT06-2S  
PLG, 2P, GRY, N



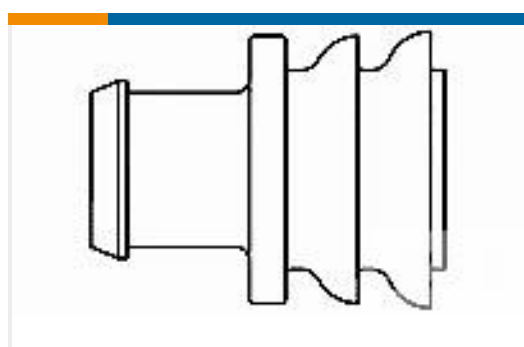
TE Part #W2S  
Wedgelocks: DEUTSCH DT



TE Part #0460-202-16141  
DEUTSCH Solid Contacts



TE Part #282104-1  
AMP SUPERSEAL 1.5MM,  
CONNECTOR HOUSING



TE Part #281934-2  
SINGLE WIRE SEAL



TE Part #114017-ZZ  
SEALING PLUG, SIZE 12/16, WHT

## Documents



## Product Drawings

[Insert, Jack, Gen Y, Hybrid, FAKRA 4](#)

English

---

## CAD Files

[3D PDF](#)

3D

Customer View Model

[ENG\\_CVM\\_CVM\\_2035306-1\\_E.2d\\_dxf.zip](#)

English

Customer View Model

[ENG\\_CVM\\_CVM\\_2035306-1\\_E.3d\\_igs.zip](#)

English

Customer View Model

[ENG\\_CVM\\_CVM\\_2035306-1\\_E.3d\\_stp.zip](#)

English

By downloading the CAD file I accept and agree to the [Terms and Conditions](#) of use.

---

## Product Specifications

[Application Specification](#)

English