



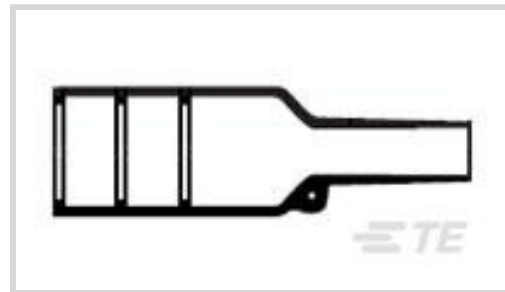
RAYCHEM

TE Internal #: 878182-000

Heat Shrink Boots, Straight, Size 202, Lipped, 12, 200, Adhesive Purchased Separately Adhesive Requirement, -55 – 200 °C [-67 – 392 °F]

[View on TE.com >](#)

Wire Protection & Management > Heat Shrink Shapes > Heat Shrink Boots > Bulbous Heat Shrink Boots: Lipped, Straight



Body Orientation: **Straight**

Molded Part Shape Code: **202**

Lipped: **Yes**

Material Code: **12**

Material Systems Code: **200**

[All Bulbous Heat Shrink Boots: Lipped, Straight \(364\)](#)

Features

Configuration Features

Lipped	Yes
Adhesive Requirement	Adhesive Purchased Separately

Body Features

Primary Product Material	Modified Fluoro-Elastomer
Material Code	12
Material Systems Code	200

Housing Features

Body Orientation	Straight
------------------	----------

Dimensions

Compatible Cable Diameter (Max)	7 mm, 8 mm, 9 mm, 10 mm [.27 in][.314 in][.35 in][.39 in]
Compatible Cable Diameter Range	5.9 – 14 mm [5.9 – 14 in]

Usage Conditions

Operating Temperature Range	-55 – 200 °C [-67 – 392 °F]
Resistance Protection	Long-Term Fluid Immersion at High Temperatures

Industry Standards



Compatible With Approved Standards Products	BS-G-198-5-DD, DEF Std 59-97 Issue 3 Type DD, SAE AS I 81765/4
---	---

Other

Molded Part Shape Code	202
------------------------	-----

Product Compliance

[For compliance documentation, visit the product page on TE.com>](#)

EU RoHS Directive 2011/65/EU	Compliant
EU ELV Directive 2000/53/EC	Compliant
China RoHS 2 Directive MIIT Order No 32, 2016	No Restricted Materials Above Threshold
EU REACH Regulation (EC) No. 1907/2006	Current ECHA Candidate List: JUNE 2024 (241) Candidate List Declared Against: JAN 2024 (240) Does not contain REACH SVHC
Halogen Content	Low Bromine/Chlorine - Br and Cl < 900 ppm per homogenous material. Also BFR /CFR/PVC Free
Solder Process Capability	Not applicable for solder process capability

Product Compliance Disclaimer

This information is provided based on reasonable inquiry of our suppliers and represents our current actual knowledge based on the information they provided. This information is subject to change. The part numbers that TE has identified as EU RoHS compliant have a maximum concentration of 0.1% by weight in homogenous materials for lead, hexavalent chromium, mercury, PBB, PBDE, DBP, BBP, DEHP, DIBP, and 0.01% for cadmium, or qualify for an exemption to these limits as defined in the Annexes of Directive 2011/65/EU (RoHS2). Finished electrical and electronic equipment products will be CE marked as required by Directive 2011/65/EU. Components may not be CE marked. Additionally, the part numbers that TE has identified as EU ELV compliant have a maximum concentration of 0.1% by weight in homogenous materials for lead, hexavalent chromium, and mercury, and 0.01% for cadmium, or qualify for an exemption to these limits as defined in the Annexes of Directive 2000/53/EC (ELV). Regarding the REACH Regulation, the information TE provides on SVHC in articles for this part number is based on the latest European Chemicals Agency (ECHA) 'Guidance on requirements for substances in articles' posted at this URL: <https://echa.europa.eu/guidance-documents/guidance-on-reach>

Compatible Parts



TE Part # 195133-000
[S1255-04-3/4X100FT](#)


Customers Also Bought




TE Part #160509-000
HEX40-AB-00-11-A2-1



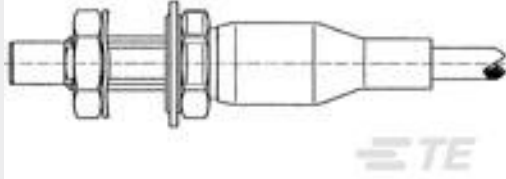
TE Part #820114-000
302A024-25-0



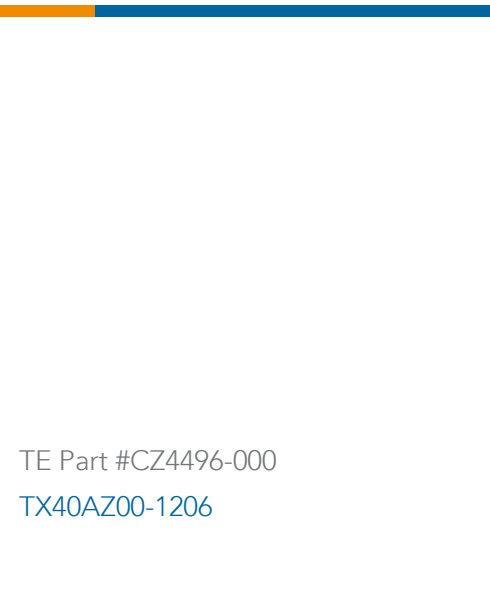
TE Part #2160173001
General Purpose Hookup Wire: Tin Coated Copper Wire, 14 AWG



TE Part #2160243005
General Purpose Hookup Wire: Tin Coated Copper Wire, 26 AWG



TE Part #036977-000
DK-3716-E212-TS



TE Part #CZ4496-000
TX40AZ00-1206



TE Part #EG7023-000
TXR40AB45-1006AI-CS-2131

Documents

Product Drawings

[202K132-12-0](#)

English

Datasheets & Catalog Pages

[1654025_Sec4_-12](#)

English

Raychem Molded Parts Visual Guide

English

Product Specifications

[Product Specification](#)

English