



RAYCHEM

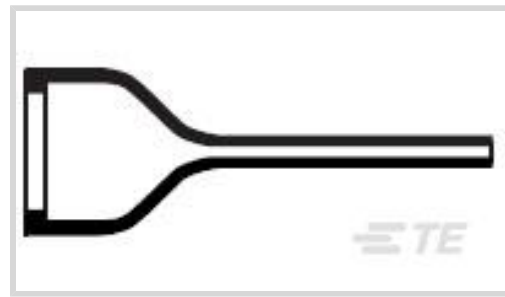
TE Internal #: 756165-000

Straight, Size 202, Lipped, 100, 100, Adhesive Precoat Adhesive

Requirement, -30 – 105 °C [-22 – 221 °F], Heat Shrink Boots

[View on TE.com >](#)

Wire Protection & Management > Heat Shrink Shapes > Heat Shrink Boots > Heat Shrink Boots: Lipped, Straight



Body Orientation: **Straight**

Molded Part Shape Code: **202**

Lipped: **Yes**

Material Code: **100**

Material Systems Code: **100**

[All Heat Shrink Boots: Lipped, Straight \(66\)](#)

Features

Configuration Features

Lipped	Yes
Adhesive Requirement	Adhesive Precoat

Body Features

Primary Product Material	Low Fire Hazard Material
Material Code	100
Material Systems Code	100

Housing Features

Body Orientation	Straight
------------------	----------

Dimensions

Compatible Cable Diameter (Max)	2.3 mm, 2.5 mm, 3 mm [.09 in][.1 in][.11 in]
Compatible Cable Diameter Range	2.1 – 4.5 mm [2.1 – 4.6 in]

Usage Conditions

Flammability Performance	Low Fire Hazard
Operating Temperature Range	-30 – 105 °C [-22 – 221 °F]
Resistance Protection	Long-Term Fluid Exposure at High Temperatures

Industry Standards

--	--



Compatible With Approved Standards Products

BR1326 listed Class G, BS-G-198-5-DF, DEF Std 59-97 Issue 3 Type DF, IEC 62329-3-101

Other

Molded Part Shape Code

202

Adhesive Code

180

Product Compliance

For compliance documentation, visit the product page on [TE.com](#)>

EU RoHS Directive 2011/65/EU

Compliant

EU ELV Directive 2000/53/EC

Compliant

China RoHS 2 Directive MIIT Order No 32, 2016

No Restricted Materials Above Threshold

EU REACH Regulation (EC) No. 1907/2006

Current ECHA Candidate List: JUNE 2024 (241)
 Candidate List Declared Against: JUNE 2024 (241)
 Does not contain REACH SVHC

Halogen Content

Low Halogen - Br, Cl, F, I < 900 ppm per homogenous material. Also BFR/CFR/PVC Free

Solder Process Capability

Not applicable for solder process capability

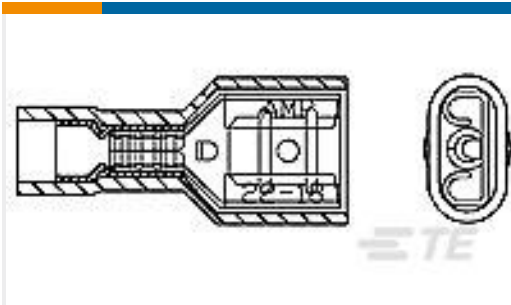
Product Compliance Disclaimer

This information is provided based on reasonable inquiry of our suppliers and represents our current actual knowledge based on the information they provided. This information is subject to change. The part numbers that TE has identified as EU RoHS compliant have a maximum concentration of 0.1% by weight in homogenous materials for lead, hexavalent chromium, mercury, PBB, PBDE, DBP, BBP, DEHP, DIBP, and 0.01% for cadmium, or qualify for an exemption to these limits as defined in the Annexes of Directive 2011/65/EU (RoHS2). Finished electrical and electronic equipment products will be CE marked as required by Directive 2011/65/EU. Components may not be CE marked. Additionally, the part numbers that TE has identified as EU ELV compliant have a maximum concentration of 0.1% by weight in homogenous materials for lead, hexavalent chromium, and mercury, and 0.01% for cadmium, or qualify for an exemption to these limits as defined in the Annexes of Directive 2000/53/EC (ELV). Regarding the REACH Regulation, the information TE provides on SVHC in articles for this part number is based on the latest European Chemicals Agency (ECHA) 'Guidance on requirements for substances in articles' posted at this URL: <https://echa.europa.eu/guidance-documents/guidance-on-reach>

Customers Also Bought



TE Part #557721-000
TMS-RJS-RIBBON-4RPSCE



TE Part #735278
EPEZT * STECKHUELSE ISOLIERT 6,3 X 1,0*



TE Part #32994
TERMINAL,SOLIS R 12-10 8



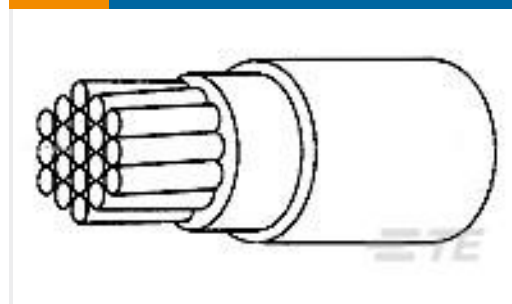
TE Part #58546-1
PC 22-10 SOLISSPICE SPL I SHT



TE Part #1546670-4
4P .437" DR BARRIER,W/BND SCRW



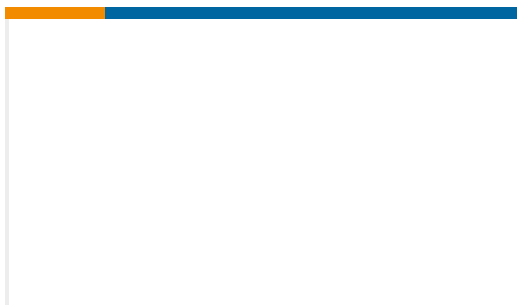
TE Part #BTH1-21-10-1-B
BTH1-21-10-1-B



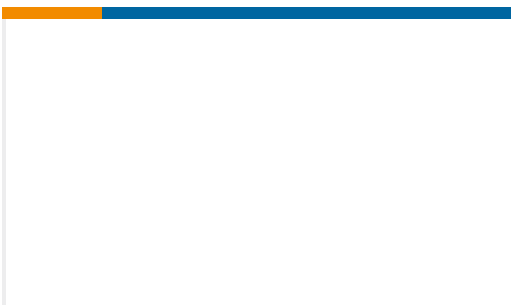
TE Part #D911613001
VG-95218-T020-E019



TE Part #AAA8257-00
91D1-10-05-1-ZB-HE100



TE Part #5031693001
VG-95218-T020-E011



TE Part #0317630001
TMS-SCE-1/4-2.0-S2-4

Documents

Product Drawings

[202D921-100/180-0](#)

English

Datasheets & Catalog Pages

[1654025_Sec4_-100](#)

English

Raychem Molded Parts Visual Guide

English

Product Specifications

[Product Specification](#)

English