



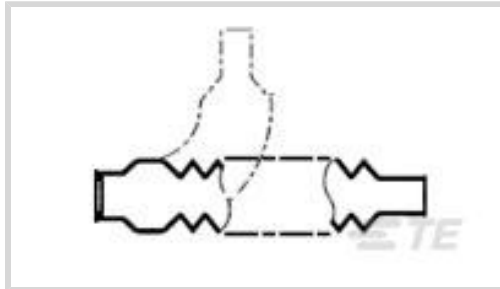
RAYCHEM

TE Internal #: 806089-000

Heat Shrink Boots, Straight, Size 202, Lipped, 71, 10, Adhesive Purchased Separately Adhesive Requirement, -55 – 135 °C [-67 – 275 °F]

[View on TE.com >](#)

Wire Protection & Management > Heat Shrink Shapes > Heat Shrink Boots > Convoluted Heat Shrink Uni Boots: Lipped, Straight



Body Orientation: **Straight**

Molded Part Shape Code: **202**

Lipped: **Yes**

Material Code: **71**

Material Systems Code: **10**

[All Convoluted Heat Shrink Uni Boots: Lipped, Straight \(65\)](#)

Features

Configuration Features

Lipped	Yes
Adhesive Requirement	Adhesive Purchased Separately

Body Features

Primary Product Material	Semi-Rigid Modified Polyolefin
Material Code	71
Material Systems Code	10

Housing Features

Body Orientation	Straight
------------------	----------

Dimensions

Compatible Cable Diameter (Max)	20 mm, 22 mm, 24 mm, 26 mm, 28 mm, 30 mm [.86 in][.94 in][1.02 in][1.1 in][1.18 in]
Compatible Cable Diameter Range	17.5 – 36 mm [.689 – 1.417 in]

Usage Conditions

Operating Temperature Range	-55 – 135 °C [-67 – 275 °F]
Resistance Protection	Long-Term Fluid Exposure at High Temperatures

Industry Standards



Compatible With Approved Standards Products	SAE AS I 81765/1, Type I
---	--------------------------

Other

Molded Part Shape Code	202
------------------------	-----

Product Compliance

[For compliance documentation, visit the product page on TE.com>](#)

EU RoHS Directive 2011/65/EU	Compliant
------------------------------	-----------

EU ELV Directive 2000/53/EC	Compliant
-----------------------------	-----------

China RoHS 2 Directive MIIT Order No 32, 2016	No Restricted Materials Above Threshold
---	---

EU REACH Regulation (EC) No. 1907/2006	Current ECHA Candidate List: JUNE 2023 (235) Candidate List Declared Against: JUNE 2023 (235) Does not contain REACH SVHC
--	---

Halogen Content	Not Low Halogen - contains Br or Cl > 900 ppm.
-----------------	--

Solder Process Capability	Not applicable for solder process capability
---------------------------	--


Product Compliance Disclaimer

This information is provided based on reasonable inquiry of our suppliers and represents our current actual knowledge based on the information they provided. This information is subject to change. The part numbers that TE has identified as EU RoHS compliant have a maximum concentration of 0.1% by weight in homogenous materials for lead, hexavalent chromium, mercury, PBB, PBDE, DBP, BBP, DEHP, DIBP, and 0.01% for cadmium, or qualify for an exemption to these limits as defined in the Annexes of Directive 2011/65/EU (RoHS2). Finished electrical and electronic equipment products will be CE marked as required by Directive 2011/65/EU. Components may not be CE marked. Additionally, the part numbers that TE has identified as EU ELV compliant have a maximum concentration of 0.1% by weight in homogenous materials for lead, hexavalent chromium, and mercury, and 0.01% for cadmium, or qualify for an exemption to these limits as defined in the Annexes of Directive 2000/53/EC (ELV). Regarding the REACH Regulation, the information TE provides on SVHC in articles for this part number is based on the latest European Chemicals Agency (ECHA) 'Guidance on requirements for substances in articles' posted at this URL: <https://echa.europa.eu/guidance-documents/guidance-on-reach>

Compatible Parts



Customers Also Bought



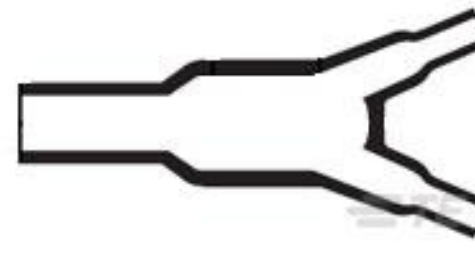
TE Part #806698-000
202A142-25-0



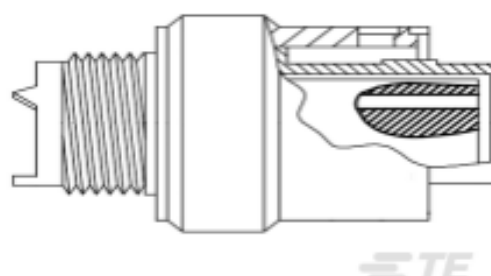
TE Part #806075-000
Convolute Heat Shrink Uni Boots:
Lipped, Straight



TE Part #024278-000
D-181-3222-90/9



TE Part #823748-000
382A012-4-0



TE Part #143396-000
RD16A18-23-SNCS051/2



TE Part #YDTS26T15-35SAV001
PLUG ASSY

TE Part #585306-000
D-602-0172CS2957

TE Part #CP2271-000
202A174-4/86-0-CS2949

Documents

Product Drawings

[202C642-71-0](#)

English

Datasheets & Catalog Pages

[1654025_Sec4_-71](#)

English

Raychem Molded Parts Visual Guide

English

Product Specifications

[Product Specification](#)

English