

## 2029170-4 Product Details

[+ Share](#) [Print](#) [Email](#)

**Detailed product features are not currently available online.**

Product features can often be found by referring to the available documents. [Contact us](#) for information about this product.

No Image Available

### 4P VRT HDR VAL-U-LOK V2 W/ODH

 Always EU RoHS/ELV Compliant (Statement of Compliance)

#### Quick Links

- [▶ Pricing & Availability](#)
- [▶ Search for Tooling](#)
- [▶ Contact Us About This Product](#)

### 2029170-4

TE Internal Number: 2029170-4

 Active

 [View 3D PDF](#)

[Add to My Part List](#)

[Buy Product](#)

### Documentation & Additional Information

#### Product Drawings:

- [VERTICAL HEADER, WITHOUT PEGS, WITHOUT DRAIN HOLES, ... \(PDF, English\)](#)

#### Catalog Pages/Data Sheets:

- None Available

#### Product Specifications:

- [VAL-U-LOK Connectors \(PDF, English\)](#)

#### Application Specifications:

- [VAL-U-LOK Series Headers and Connectors \(PDF, English\)](#)

#### Instruction Sheets:

- None Available

#### CAD Files: [\(CAD Format & Compression Information\)](#)

- [2D Drawing \(DXF, Version A\)](#)
- [3D Model \(IGES, Version A\)](#)
- [3D Model \(STEP, Version A\)](#)

#### Related Products:

- [Tooling](#)

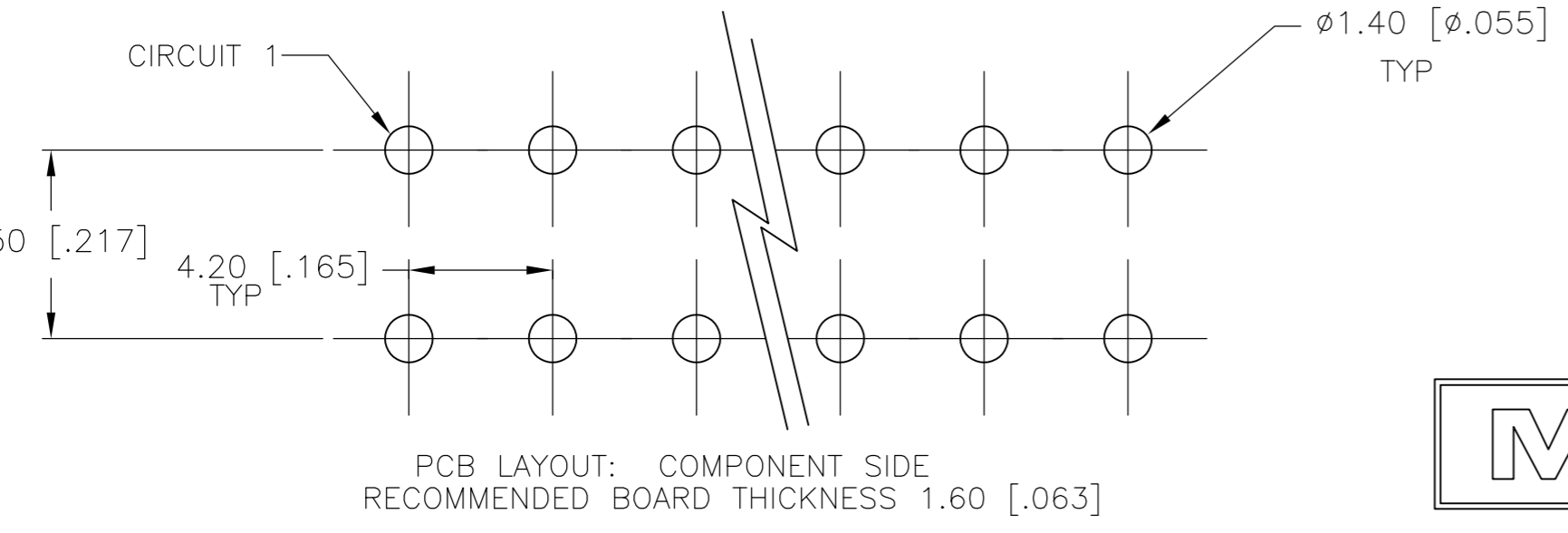
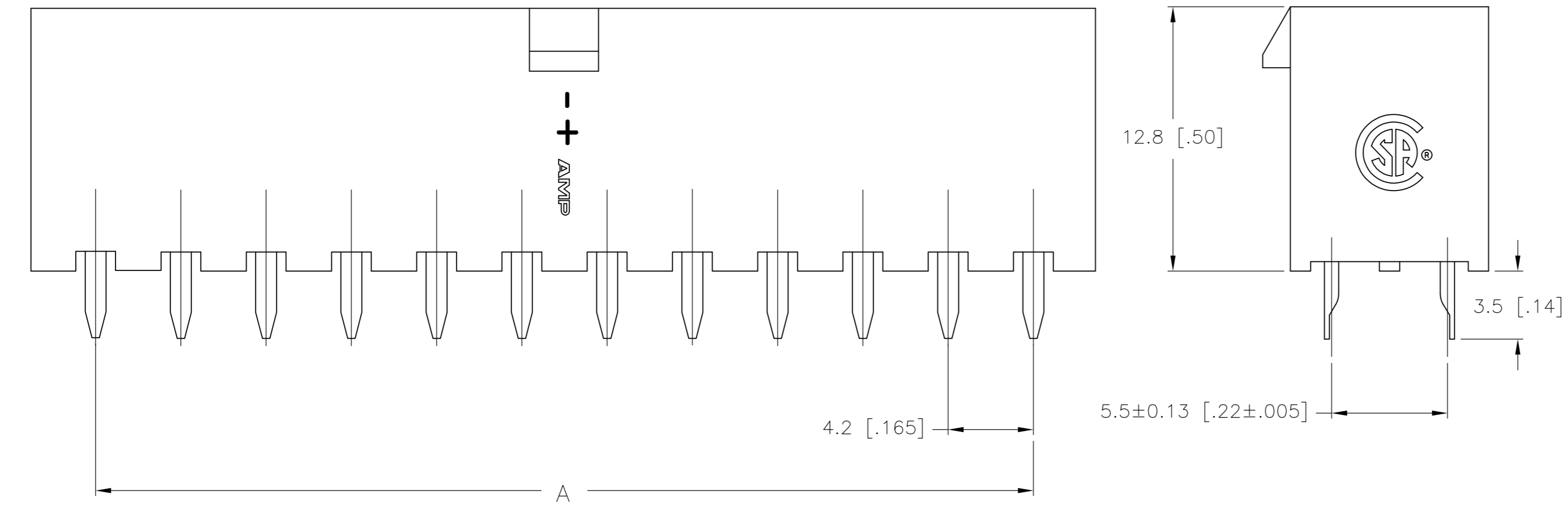
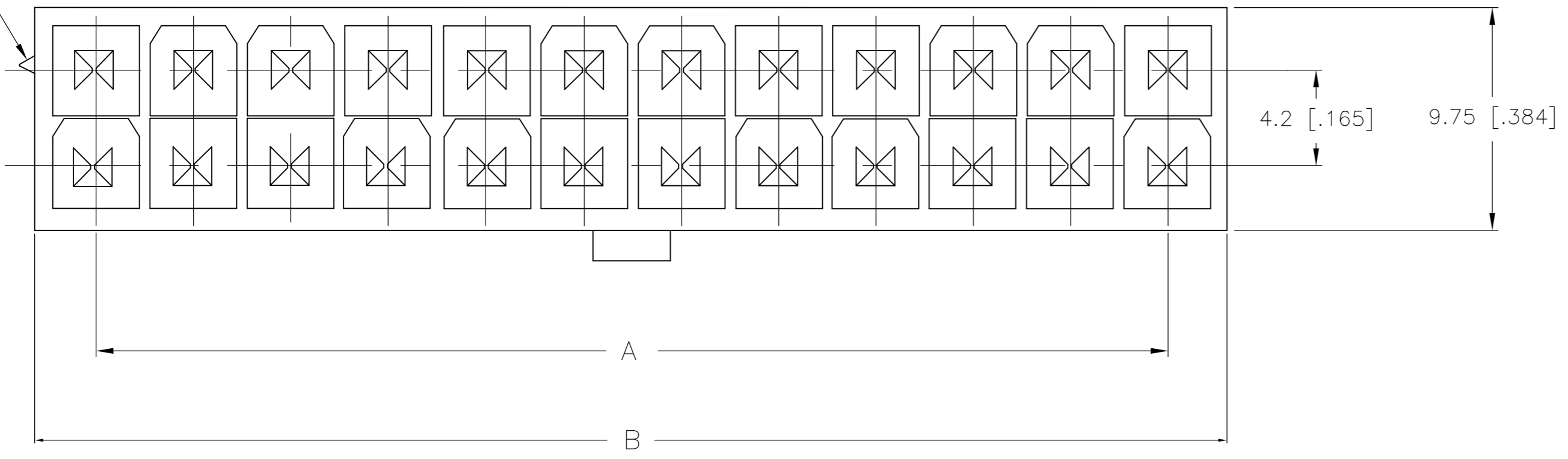
[List all Documents](#)

THIS DRAWING IS UNPUBLISHED. RELEASED FOR PUBLICATION  
 © COPYRIGHT BY TYCO ELECTRONICS CORPORATION. ALL RIGHTS RESERVED.

LOC		DIST		REVISIONS			
P	LTR	DESCRIPTION		DATE	DWN	APVD	
	A	WR-08-41		28AUG2008	KW	CC	

POSITION 1  
IDENTIFICATION FEATURE

1 MATERIAL: HOUSING: NYLON, UL94V-2  
CONTACTS: BRASS, TIN-PLATED



24	46.2±0.25 [1.82±.01]	51.6 [2.03]	2-2029170-4
22	42.0±0.25 [1.65±.01]	47.4 [1.87]	2-2029170-2
20	37.8±0.25 [1.49±.01]	43.2 [1.70]	2-2029170-0
18	33.6±0.25 [1.32±.01]	39.0 [1.54]	1-2029170-8
16	29.4±0.25 [1.16±.01]	34.8 [1.37]	1-2029170-6
14	25.2±0.25 [.99±.01]	30.6 [1.21]	1-2029170-4
12	21.0±0.25 [.83±.01]	26.4 [1.04]	1-2029170-2
10	16.8±0.13 [.66±.005]	22.2 [.87]	1-2029170-0
8	12.6±0.13 [.50±.005]	18.0 [.71]	2029170-8
6	8.4±0.13 [.33±.005]	13.8 [.54]	2029170-6
4	4.2±0.13 [.17±.005]	9.6 [.38]	2029170-4
2	-	5.4 [.21]	2029170-2
POS	A	B±0.25[.01]	PART NUMBER

2-2029170-4 SHOWN

THIS DRAWING IS A CONTROLLED DOCUMENT.

DWN K. WHITAKER 28AUG2008	Tyco Electronics Corporation Harrisburg, PA 17105-3608
CHK C. CASH 28AUG2008	
APVD C. CASH 28AUG2008	
PRODUCT SPEC	
APPLICATION SPEC	NAME VERTICAL HEADER, WITHOUT PEGS, WITHOUT DRAIN HOLES, 94V-2, VAL-U-LOK(TM)
WEIGHT	SIZE A2
CUSTOMER DRAWING	CAGE CODE 00779
	DRAWING NO C=2029170
	RESTRICTED TO -
	SCALE 5:1
	SHEET 1 of 1
	REV A

