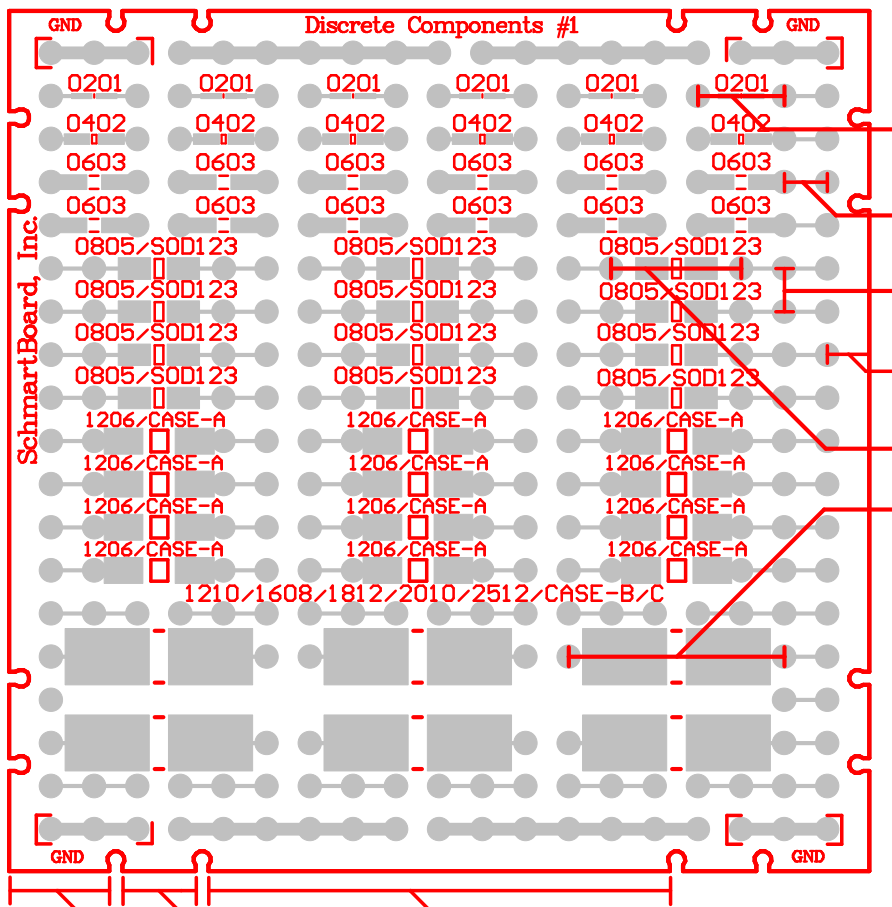


202-0034-01

All through holes are designed with 0.1 inch spacing



0.2 (5.08)

0.1 (2.54)

0.1 (2.54)

0.097 (2.462)

0.3 (7.62)

0.5 (12.7)

Hole diameter : 0.038 (0.965)

Unit: inch (mm)

The Board Dimension :
2 inch X 2 inch

1.069 (27.195)

0.17 (4.318)

0.231 (5.867)

