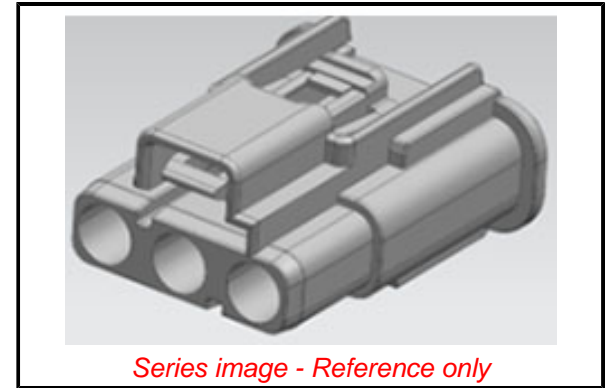


PLEASE CHECK WWW.MOLEX.COM FOR LATEST PART INFORMATION

Part Number: [2018410030](#)
Status: **Active**
Overview: [MultiCat Power Connectors with Precision-Machined Contacts](#)
Description: [MultiCat High-Power Inline Receptacle Housing, 3 Circuits, Black, Key A](#)

Documents:

3D Model	Packaging Specification 2018410000-PK-000 (PDF)
Drawing (PDF)	Test Summary 2018400000-TS-000 (PDF)
Product Specification 2018400000-PS-000 (PDF)	RoHS Certificate of Compliance (PDF)
Application Specification 2018400000-AS-000 (PDF)	



Agency Certification

UL E29179

General

Product Family	Crimp Housings
Series	201841
Application	Power, Wire-to-Board, Wire-to-Wire
Datasheet Order No	987651-4731
Overview	MultiCat Power Connectors with Precision-Machined Contacts
Product Name	MultiCat
UPC	889056746403

Physical

Circuits (maximum)	3
Color - Resin	Black
Flammability	94V-0
Gender	Receptacle
Glow-Wire Capable	No
Keying to Mating Part	Yes
Lock to Mating Part	Yes
Material - Resin	PEI
Net Weight	5.780/g
Number of Rows	1
Packaging Type	Individual Cell
Panel Mount	No
Pitch - Mating Interface	7.40mm
Polarized to Mating Part	Yes
Temperature Range - Operating	-40° to +150°C

Material Info

Reference - Drawing Numbers

Application Specification	2018400000-AS-000
Packaging Specification	2018410000-PK-000
Product Specification	2018400000-PS-000
Sales Drawing	2018410000-SD-000
Test Summary	2018400000-TS-000

EU ELV

Not Relevant

EU RoHS

Compliant

REACH SVHC

Not Contained Per - ED/71/2019 (16 July 2019)

Halogen-Free

Status

Low-Halogen

For more information, please visit [Contact US](#)

China ROHS

ELV

RoHS Phthalates

China RoHS

Green Image

Not Relevant

Not Contained

Search Parts in this Series

[201841](#) Series

Mates With

MultiCat High-Power Inline Plug Housing [201840](#) , MultiCat High-Power Header [201843](#) , [201842](#)

Use With

MultiCat High-Power Contacts [201846](#)