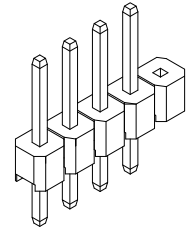
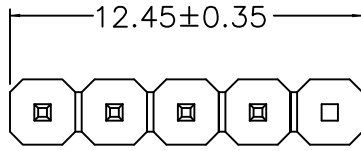


REV.	SPECIFICATION	ECN NO.	APPD.



Material:

Housing: Thermoplastic Polyester Glass Filled UL94V-0.

Contacts: Copper Alloy.

Electrical Characteristics:

Current Rating: 3 AMP.

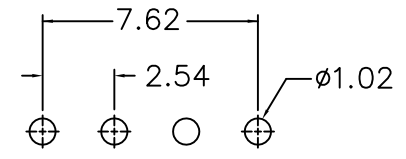
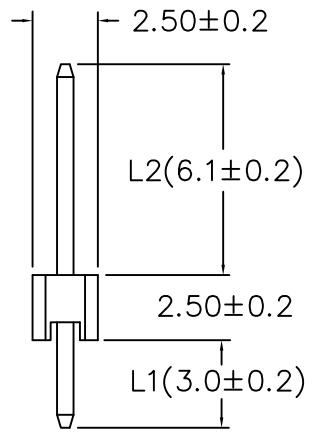
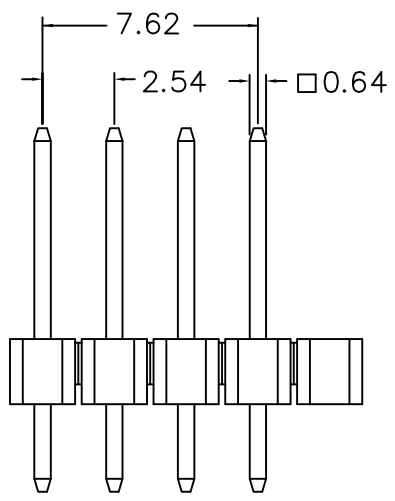
Dielectric Withstanding Voltage: AC 1000V for 1 minute.

Insulator Resistance: 5000MΩmin. at DC 500V.

Contact Resistance: 20mΩmax. at DC 100mA .

Operating Temperature: -40°C~+105°C.

***RoHS Compliant**



P.C.Board Layout

2011- 1 X 05 G 00 S B -A013
 Series Single Row No. of Pin Per Row G: Gold Plated T: Tin Plated 00: Gold Flash 10: 10μ" 15: 15μ" 30: 30μ" S: Straight B: Bulk Package Internal Code

Tolerances	Dwg. No.	2011D01088	Title:		OUPIN OUPIN ELECTRONIC(KUNSHAN) CO., LTD.
x = ±0.5	Projection		2011 Series Pin Header 2.54mm		
.x = ±0.25	Unit	mm			Scale
.xx = ±0.15	Drawn By	Scott	10/05'16	① 535	SHEET 1/1 Ver.No. A1