

TE Internal #: 2007435-3

HDMI Connectors, Receptacle, Standard Profile, 1 Port, Top,
Perpendicular Right Angle, Through Hole - Solder, Cable-to-Board,
19 Position

[View on TE.com >](#)

Connectors > Audio & Video Connectors > HDMI Connectors

Connector & Housing Type: **Receptacle**Connector Profile: **Standard**Number of Ports: **1**PCB Mount Location: **Top**PCB Mount Orientation: **Perpendicular Right Angle**

Features

Product Type Features

Connector & Housing Type	Receptacle
Connector System	Cable-to-Board
Connector & Contact Terminates To	Printed Circuit Board

Configuration Features

Stacked	No
Number of Ports	1
PCB Mount Orientation	Perpendicular Right Angle
Number of Positions	19

Body Features

Shell Plating Finish	Matte
Shell Plating Material	Tin
Connector Profile	Standard

Contact Features

Contact Mating Area Plating Material Thickness	.38 μm [15 μin]
Contact Mating Area Plating Material	Gold
Contact Current Rating (Max)	.5 A

Termination Features

Termination Post & Tail Length	2.3 mm[.091 in]
--------------------------------	-----------------



Termination Method to Printed Circuit Board

Through Hole - Solder

Mechanical Attachment

PCB Mount Alignment Type

Locating Posts

PCB Mount Retention Type

Kinked Legs, Straight Leg

PCB Mount Location

Top

Connector Mounting Type

Board Mount

Housing Features

Housing Color

Black

Centerline (Pitch)

1 mm[.039 in]

Dimensions

PCB Thickness (Min)

1.6 mm[.063 in]

Usage Conditions

Mating Cycles (Max)

10000

Soldering Temperature (Max)

240 °C

Operating Temperature Range

-20 – 85 °C[-4 – 185 °F]

Operation/Application

Circuit Application

Signal

Packaging Features

Packaging Method

Tray

Product Compliance

[For compliance documentation, visit the product page on TE.com>](#)

EU RoHS Directive 2011/65/EU

Compliant

EU ELV Directive 2000/53/EC

Compliant

China RoHS 2 Directive MIIT Order No 32, 2016

No Restricted Materials Above Threshold

EU REACH Regulation (EC) No. 1907/2006

Current ECHA Candidate List: JUNE 2022 (224)
 Candidate List Declared Against: JAN 2022 (223)
 Does not contain REACH SVHC

Halogen Content

Not Low Halogen - contains Br or Cl > 900 ppm.

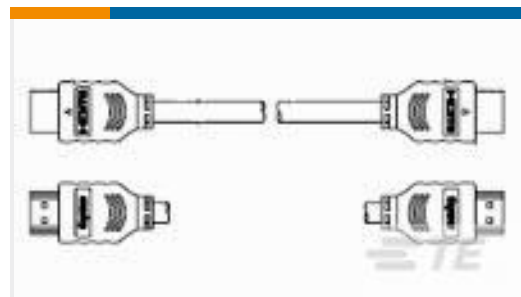
Solder Process Capability

Wave solder capable to 265°C

Product Compliance Disclaimer

This information is provided based on reasonable inquiry of our suppliers and represents our current actual knowledge based on the information they provided. This information is subject to change. The part numbers that TE has identified as EU RoHS compliant have a maximum concentration of 0.1% by weight in homogenous materials for lead, hexavalent chromium, mercury, PBB, PBDE, DBP, BBP, DEHP, DIBP, and 0.01% for cadmium, or qualify for an exemption to these limits as defined in the Annexes of Directive 2011/65/EU (RoHS2). Finished electrical and electronic equipment products will be CE marked as required by Directive 2011/65/EU. Components may not be CE marked. Additionally, the part numbers that TE has identified as EU ELV compliant have a maximum concentration of 0.1% by weight in homogenous materials for lead, hexavalent chromium, and mercury, and 0.01% for cadmium, or qualify for an exemption to these limits as defined in the Annexes of Directive 2000/53/EC (ELV). Regarding the REACH Regulation, the information TE provides on SVHC in articles for this part number is based on the latest European Chemicals Agency (ECHA) 'Guidance on requirements for substances in articles' posted at this URL: <https://echa.europa.eu/guidance-documents/guidance-on-reach>

Compatible Parts



TE Part # 1770019-6
CABLE ASSY, HDMI

Customers Also Bought



TE Part #1761028-3
50 50SR R/A RCPT ASSY, LEAD FRE



TE Part #2199230-8
M.2 0.5PITCH 4.2H KEY A 15U" AU"



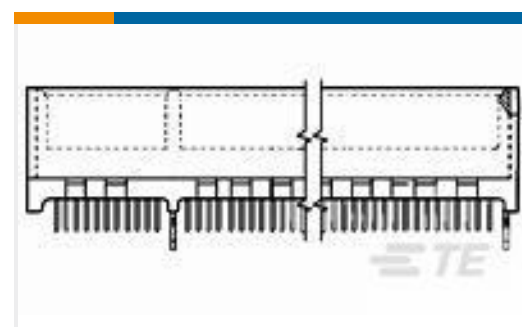
TE Part #2308107-1
DDR4 DIMM 288 PIN TH TYPE



TE Part #3-2176230-3
3522 390R 5% 3W



TE Part #T4052118004-001
RPC-M8-4MS-0.5-M12-4FR-PVC



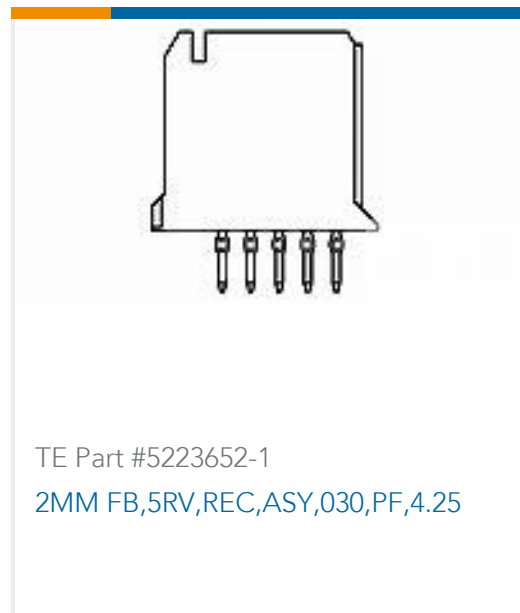
TE Part #5145167-4
STANDARD EDGE .050 SERIES 60 DUAL ASSY



TE Part #5557786-1
MJ,8POS,R/A,SHLD,PCB GD



TE Part #4-2176230-5
3522 3K9 5% 3W



Documents

Product Drawings

[Std HDMI, Flag, T/H](#)

English

CAD Files

Customer View Model

[ENG_CVM_CVM_2007435-3_C.2d_dxf.zip](#)

English

[3D PDF](#)

3D

Customer View Model

[ENG_CVM_CVM_2007435-3_C.3d_igs.zip](#)

English

Customer View Model

[ENG_CVM_CVM_2007435-3_C.3d_stp.zip](#)

English

By downloading the CAD file I accept and agree to the [Terms and Conditions](#) of use.

Product Specifications

[Product Specification](#)

English

[Product Specification](#)

English