



## Quick Reference Guide

### RJ *point five* Connector System now including shielded version

The TE Connectivity RJ *point five* connector system is the next generation Ethernet link, offering a higher density cabling solution for Original Equipment Manufacturers (OEMs) who desire a competitive total cost of ownership per port while maintaining the granularity of a single connector per channel. The port spacing is on a 7mm centerline, occupying half the space of a traditional RJ45 Ethernet link. In addition to the high density receptacle, TE offers the mating cable assembly, as well as cable management solutions for single box and rack configurations. The receptacle and cable assembly were redesigned to eliminate the undesirable RJ45 split pair configuration, resulting in heightened electrical performance. Additionally, the latching feature incorporates an easy-to-use lanyard that will facilitate up to 96 ports on a single line card. Due to the density on the receptacle face, the light from the LEDs is transferred out through the cable boot, bringing the port indicator light closer to the end user.

#### FEATURES AND BENEFITS

- Approximately double the density offered over the standard RJ45 Ethernet link
- Receptacle is a modular design to allow for easy and rapid deployment of product extensions
- Lower total cost of ownership per port
- Offers field installations on cable assemblies, providing an option vs. factory terminated solutions
- Doubles density of gigabit ports in the same real estate, increases network capacity 100%
- Same footprint to support both integrated magnetic and non-integrated solutions
- Cable assemblies capable of field termination
- Cable management features available from TE Connectivity for higher density configurations
- Product family will support Gigabit speeds of Cat5e U/UTP and Cat5e F/UTP stranded (tinned) cable, and handles PoEe

### Product Applications

- High density Ethernet switching/routing products
- Data center switching applications:
  - Top of rack
  - End of row
  - Mid-row
- Server I/O applications
- Wiring closet switching products

### Mechanical

- Port center-on-center spacing at 7mm for Cat5e cabling
- Overall height is 25.25mm
- High density cabling consists of ergonomically friendly lanyard for easy extraction
- Port indicator LEDs conveniently located on the cable boot to facilitate easy viewing

### Electrical/Optical

#### Product meets category 5e performance for 10/100/1000BASE-T applications

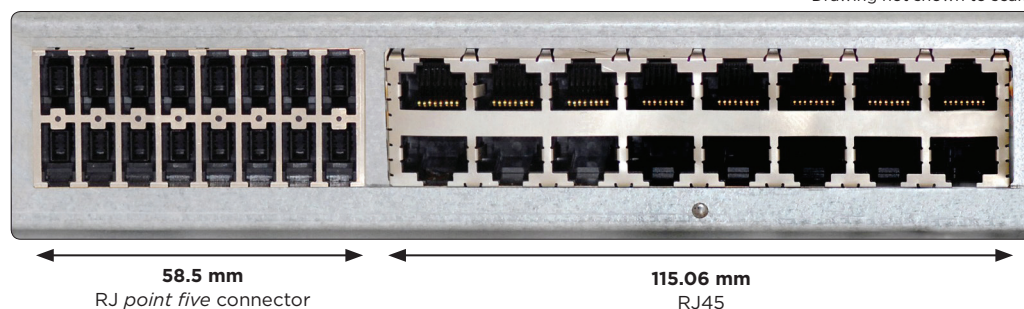
- Insertion loss 0.4 dB maximum at 100 MHz
- Return loss 20 dB minimum at 100 MHz
- NEXT loss 43 dB minimum at 100 MHz
- FEXT loss 35.1 dB minimum at 100 MHz

#### Magnetic product platforms for 10/100/1000BASE-T applications

- Insertion loss 1.5 dB maximum at 100 MHz
- Return loss 10 dB minimum at 100 MHz
- Crosstalk 31 dB minimum at 100 MHz
- Common Mode Rejection Ratio 17 dB minimum at 100 MHz
- Isolation voltage complies with IEEE 802.3

### RJ point five Connector Comparison to RJ45\*

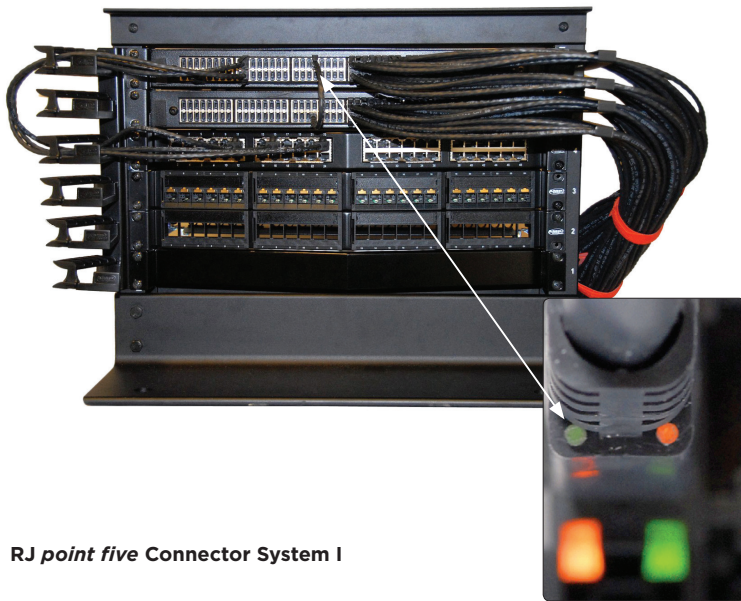
\*Drawing not shown to scale



RJ point five Board Mount Receptacles and Plug Kit					
Part Number	Description	Grounding Finger	Integrated Magnetics	LEDs	Product Available
2007669-1	2x8 Receptacle	No	Yes	Yes (R/G)	Yes
2007669-2	2x8 Receptacle	No	Yes	Yes (Y/G)	Yes
2057133-1	2x8 Receptacle	No	No	Yes (R/G)	Yes
2057133-2	2x8 Receptacle	No	No	Yes (Y/G)	Yes
2007311-1	2x6 Receptacle	No	Yes	Yes (R/G)	No
2007311-2	2x6 Receptacle	No	Yes	Yes (Y/G)	No
2057132-1	2x6 Receptacle	No	No	Yes (R/G)	No
2057132-2	2x6 Receptacle	No	No	Yes (Y/G)	No
2057004-1	2x12 Receptacle	No	Yes	Yes (R/G)	Yes
2057004-2	2x12 Receptacle	No	Yes	Yes (Y/G)	Yes
2057134-1	2x12 Receptacle	No	No	Yes (R/G)	Yes
2057134-2	2x12 Receptacle	No	No	Yes (Y/G)	Yes
2057014-1	2x1 Receptacle	Yes	Yes	Yes (R/G)	Yes
2057014-2	2x1 Receptacle	Yes	Yes	Yes (Y/G)	Yes
2057131-1	2x1 Receptacle	Yes	No	Yes (R/G)	Yes
2057131-2	2x1 Receptacle	Yes	No	Yes (R/G)	Yes
2170129-1	1x2 Receptacle	Yes	No	*	Yes
2007312-1	Plug Kit unshielded	No	—	—	Yes
2170185-1	Plug Kit shielded	Yes	—	—	Yes

\* has lightpipes for board mounted LEDs

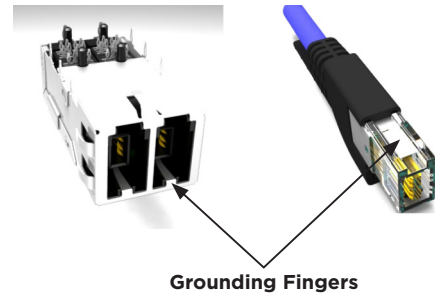
**RJ point five Connector Demo Rack**



RJ point five Connector System I

**Demo Rack Illustrates:**

- 96 Port RJ point five cards
- 48 Port RJ45 patch panels
- AMPTRAC intelligent infrastructure management system
- AMP NETCONNECT Hi-D cable management
- RJ point five connector to RJ45 jumper cables
- Cable assembly showing LEDs through cable plug
- 1x2 receptacle has been tooled, more versions on request
- Shielded cable assembly will only fit in combination with shielded receptacle



Grounding Fingers

RJ point five to RJ point five Cable Assembly		
Cat5e U/UTP AWG 24	Cat5e F/UTP AWG 26 LszH	Cable Length
Part Number	Part Number with Grounding Finger	
2100356-1	2142758-1	0.5 meters
2100356-2	2142758-2	1.0 meters
2100356-3	2142758-3	1.5 meters
2100356-4	2142758-4	2.0 meters
2100356-5	2142758-5	2.5 meters
2100356-6	2142758-6	3.0 meters
2100356-7	2142758-7	4.0 meters
2100356-8	2142758-8	5.0 meters
2100356-9	2142758-9	7.5 meters
1-2100356-0	1-2142758-0	10.0 meters
1-2100356-1	1-2142758-1	12.5 meters
1-2100356-2	1-2142758-2	15.0 meters

RJ point five to RJ45 Cable Assembly		
Cat5e U/UTP AWG 24	Cat5e F/UTP AWG 26 LszH	Cable Length
Part Number	Part Number with Grounding Finger	
2100357-1	2142759-1	0.5 meters
2100357-2	2142759-2	1.0 meters
2100357-3	2142759-3	1.5 meters
2100357-4	2142759-4	2.0 meters
2100357-5	2142759-5	2.5 meters
2100357-6	2142759-6	3.0 meters
2100357-7	2142759-7	4.0 meters
2100357-8	2142759-8	5.0 meters
2100357-9	2142759-9	7.5 meters
1-2100357-0	1-2142759-0	10.0 meters
1-2100357-1	1-2142759-1	12.5 meters
1-2100357-2	1-2142759-2	15.0 meters

**Cat5e U/UTP**



**Cat5e F/UTP**



RJ point five Connector Documentation	
Part Number	Description
108-2341	RJ point five Product Specifications (Design Objectives)
114-13228	RJ point five Receptacle Application Sheet
114-13235	RJ point five Plug Kit Application Sheet
408-10243	Cable Assembly Termination Instruction Sheet

## Frequently asked questions

### What data rate does RJ *point five* product support?

RJ *point five* product currently supports 10/100/1000BASE-T applications or GbE RJ45 product applications.

### What are the PCB termination options?

Receptacles are offered as press fit PCB termination style.

### Is application tooling required?

Board mount receptacle connector will be press fit (see application notes for press fit tooling), Plug requires only a hand-tool part number 2031734-1.

### What cable lengths are required?

Cable length and wire gauge are related to the performance characteristics of the cable assembly. Longer cable lengths require heavier wire gauge, while shorter cable lengths can utilize a smaller gauge cable. Smaller gauge cable assemblies provide many benefits to the data center operator, such as ease of routing, less weight and increased airflow.

### What cable types does the RJ *point five* plug accept?

The cables which can be used with this product line are CAT5e U/UTP cable with center conductors of AWG 24 stranded tinned copper and Cat5e F/UTP, SF/UTP cable with center conductors of 26 AWG stranded tinned copper, a primary insulation diameter of 0.89—0.99 mm, and a maximum cable jacket O.D. of 5.80 mm.

## FOR MORE INFORMATION

### TE Technical Support Center

USA:	+1 (800) 522-6752
Canada:	+1 (905) 475-6222
Mexico	+52 (0) 55-1106-0800
Latin/S. America:	+54 (0) 11-4733-2200
Germany:	+49 (0) 6251-133-1999
UK:	+44 (0) 800-267666
France:	+33 (0) 1-3420-8686
Netherlands:	+31 (0) 73-6246-999
China:	+86 (0) 400-820-6015

Part numbers in this brochure are RoHS Compliant\*, unless marked otherwise.

\*as defined [www.te.com/leadfree](http://www.te.com/leadfree)

## te.com

© 2012 Tyco Electronics Corporation, a TE Connectivity Ltd. company. All Rights Reserved.

3-1773454-0 CIS LUG PDF 11/2012

AMP NETCONNECT, AMPTRAC, RJ *point five*, TE Connectivity and the TE connectivity (logo) are trademarks.

Other logos, product and company names mentioned herein may be trademarks of their respective owners.

While TE has made every reasonable effort to ensure the accuracy of the information in this brochure, TE does not guarantee that it is error-free, nor does TE make any other representation, warranty or guarantee that the information is accurate, correct, reliable or current. TE reserves the right to make any adjustments to the information contained herein at any time without notice. TE expressly disclaims all implied warranties regarding the information contained herein, including, but not limited to, any implied warranties of merchantability or fitness for a particular purpose. The dimensions in this brochure are for reference purposes only and are subject to change without notice. Specifications are subject to change without notice. Consult TE for the latest dimensions and design specifications.

