



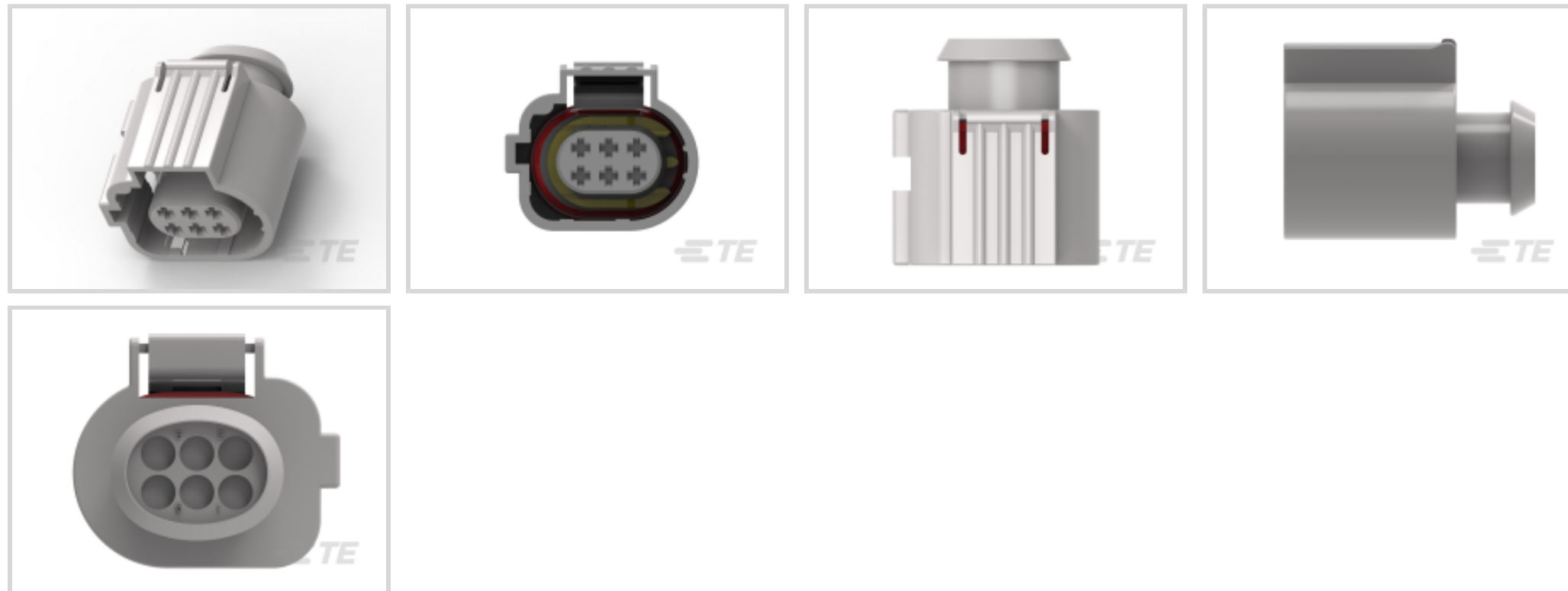
Micro Timer II

TE Internal #: 2005372-3

Housing for Female Terminals, Wire-to-Wire, 6 Position, .157 in [4 mm] Centerline, Sealable, Gray, Wire & Cable, Micro Timer II

[View on TE.com >](#)

Connectors > Automotive Connectors > Automotive Housings > Timer Connector Housing



Connector System: **Wire-to-Wire**

Number of Positions: **6**

Connector & Housing Type: **Housing for Female Terminals**

Centerline (Pitch): **4 mm [.157 in]**

Sealable: **Yes**

[All Timer Connector Housing \(521\)](#)

Features

Product Type Features

Mixed & Hybrid Connector	No
Connector Shape	Rectangular
Connector System	Wire-to-Wire
Connector & Housing Type	Housing for Female Terminals
Sealable	Yes
Connector & Contact Terminates To	Wire & Cable
Primary Locking Feature	Integrated in Housing

Configuration Features

Number of Positions	6
Number of Rows	2

Body Features

Cable Exit Angle	180°
Primary Product Color	Gray



Connector & Keying Code	B
-------------------------	---

Contact Features

Contact Size	1.6mm
--------------	-------

Contact Type	Receptacle
--------------	------------

Mating Tab Width	1.6 mm[.062 in]
------------------	-----------------

Contact Current Rating (Max)	10 A
------------------------------	------

Mechanical Attachment

Terminal Position Assurance	No
-----------------------------	----

Strain Relief	Without
---------------	---------

Mating Alignment Type	Keyed
-----------------------	-------

Mating Alignment	With
------------------	------

Connector Mounting Type	Cable Mount (Free-Hanging)
-------------------------	----------------------------

Housing Features

Housing Material	PA GF
------------------	-------

Centerline (Pitch)	4 mm[.157 in]
--------------------	---------------

Dimensions

Connector Height	24.15 mm[.95 in]
------------------	------------------

Product Width	28.3 mm[1.11 in]
---------------	------------------

Product Length	25.7 mm[1.01 in]
----------------	------------------

Row-to-Row Spacing	4 mm[.157 in]
--------------------	---------------

Usage Conditions

Operating Temperature (Max)	120 °C[248 °F]
-----------------------------	----------------

Operating Temperature Range	-40 – 120 °C[-40 – 248 °F]
-----------------------------	----------------------------

Packaging Features

Packaging Quantity	300
--------------------	-----

Packaging Method	Bag
------------------	-----

Other

Serviceable	No
-------------	----

Connector Position Assurance Capable	No
--------------------------------------	----

Product Compliance

For compliance documentation, visit the product page on [TE.com](https://www.te.com)>



EU RoHS Directive 2011/65/EU	Compliant
EU ELV Directive 2000/53/EC	Compliant
China RoHS 2 Directive MIIT Order No 32, 2016	No Restricted Materials Above Threshold
EU REACH Regulation (EC) No. 1907/2006	Current ECHA Candidate List: JUNE 2023 (235) Candidate List Declared Against: JUNE 2023 (235) Does not contain REACH SVHC
Halogen Content	Low Halogen - Br, Cl, F, I < 900 ppm per homogenous material. Also BFR/CFR/PVC Free
Solder Process Capability	Not applicable for solder process capability

Product Compliance Disclaimer

This information is provided based on reasonable inquiry of our suppliers and represents our current actual knowledge based on the information they provided. This information is subject to change. The part numbers that TE has identified as EU RoHS compliant have a maximum concentration of 0.1% by weight in homogenous materials for lead, hexavalent chromium, mercury, PBB, PBDE, DBP, BBP, DEHP, DIBP, and 0.01% for cadmium, or qualify for an exemption to these limits as defined in the Annexes of Directive 2011/65/EU (RoHS2). Finished electrical and electronic equipment products will be CE marked as required by Directive 2011/65/EU. Components may not be CE marked. Additionally, the part numbers that TE has identified as EU ELV compliant have a maximum concentration of 0.1% by weight in homogenous materials for lead, hexavalent chromium, and mercury, and 0.01% for cadmium, or qualify for an exemption to these limits as defined in the Annexes of Directive 2000/53/EC (ELV). Regarding the REACH Regulation, the information TE provides on SVHC in articles for this part number is based on the latest European Chemicals Agency (ECHA) 'Guidance on requirements for substances in articles' posted at this URL: <https://echa.europa.eu/guidance-documents/guidance-on-reach>

Compatible Parts



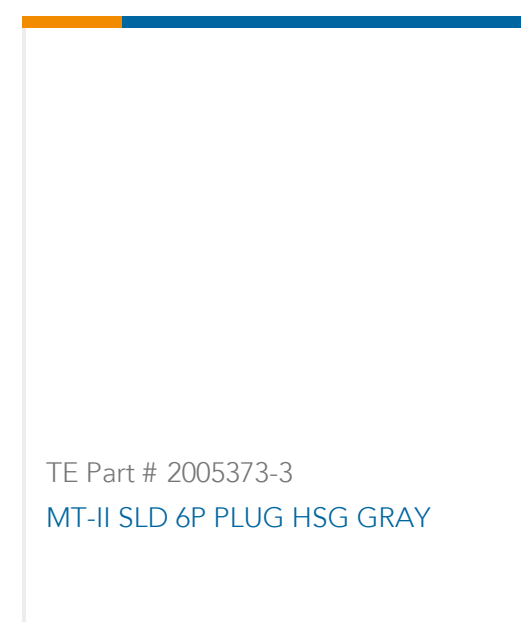
TE Part # CAT-T4827-T273
TIMER, RECEPTACLE AND TAB



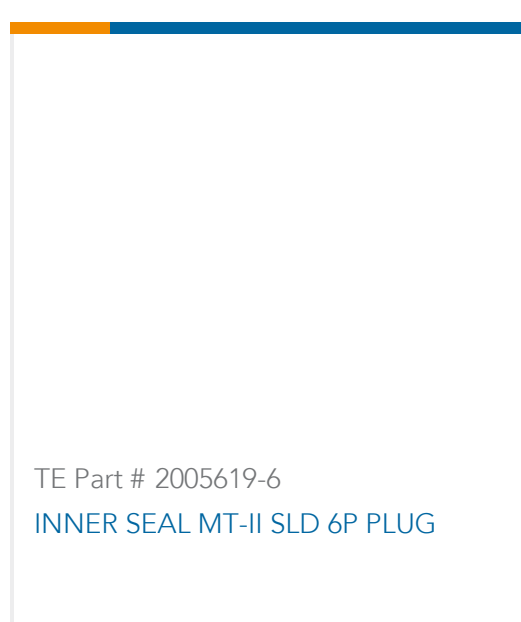
TE Part # 2-2188289-3
MTII 6P CAP ASSY-B



TE Part # 2219369-2
COVER BLK FOR MT-II 6P PLUG



TE Part # 2005373-3
MT-II SLD 6P PLUG HSG GRAY

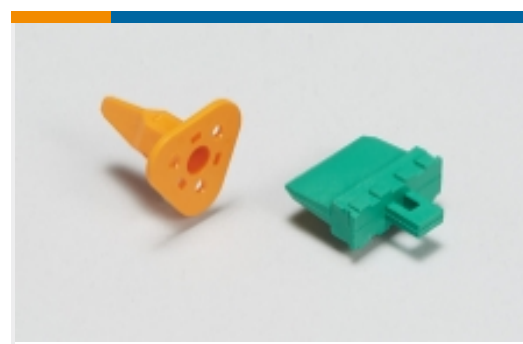


TE Part # 2005619-6
INNER SEAL MT-II SLD 6P PLUG

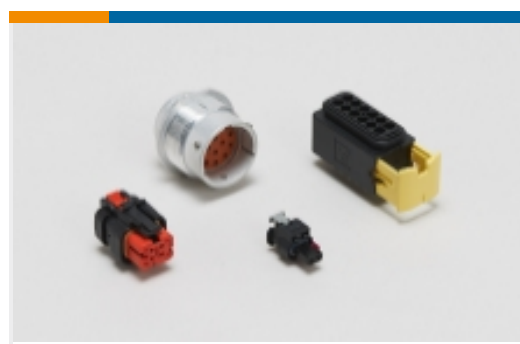
Also in the Series | Micro Timer II



Automotive Connector Caps & Covers (1)



Automotive Connector Locks & Position Assurance(1)



Automotive Housings(37)



Automotive Terminals(35)

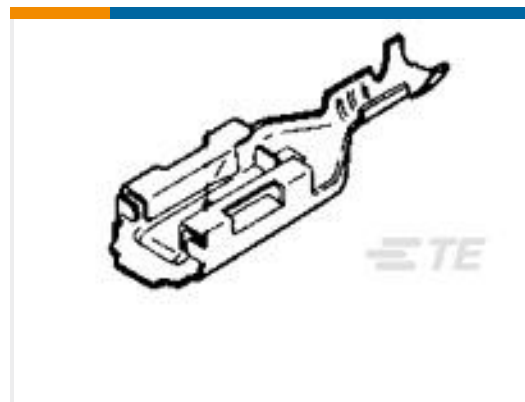


Connector Seals & Cavity Plugs(1)

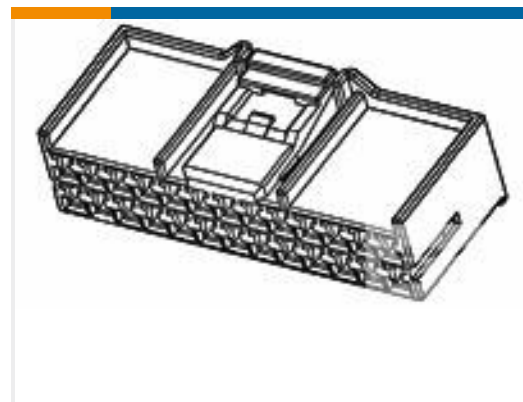


Insertion & Extraction Tools(4)

Customers Also Bought



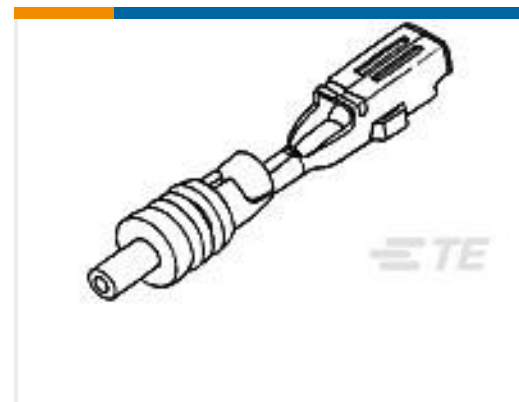
TE Part #170454-2
PL 250 AM REC 18-14 0.40 X 21 PRE-TPBR



TE Part #936199-1
090III 14P PLUG ASSY



TE Part #368354-1
Timer Connector Housing



TE Part #171630-1
E-J MK-2 070 REC CONT



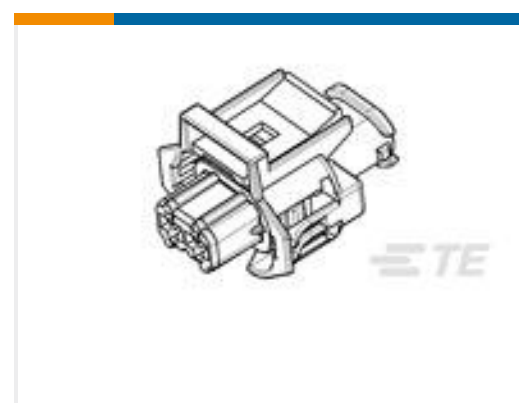
TE Part #1-1897255-2
SLOT CLIP FOR J300 / 090 TYPE



TE Part #2005390-6
JPT SLD 3P PLUG ASSY-1S BLK



TE Part #2304993-2
COVER HSG FOR 2.8MM SLD 2P PLUG



TE Part #936059-2
2.8MM SLD 2P PLUG ASSY

Documents

Product Drawings

MT-II SLD 6P PLUG ASSY GRAY

English

CAD Files

3D PDF

3D

Customer View Model

ENG_CVM_CVM_2005372-3_C.2d_dxf.zip



English

Customer View Model

[ENG_CVM_CVM_2005372-3_C.3d_igs.zip](#)

English

Customer View Model

[ENG_CVM_CVM_2005372-3_C.3d_stp.zip](#)

English

By downloading the CAD file I accept and agree to the [Terms and Conditions](#) of use.

Datasheets & Catalog Pages

[Timer Interconnection System](#)

English

Product Specifications

[Product Specification](#)

English