

PLEASE CHECK WWW.MOLEX.COM FOR LATEST PART INFORMATION

Part Number: [2005020283](#)
Status: **Active**
Overview: [stAK50h Connection System](#)
Description: stAK50h Right-Angle Hybrid Header, 28 Circuits, Key 3, Gray, Tube

Documents:

3D Model	Application Specification 2005060000-AS-000 (PDF)
3D Model (PDF)	Datasheet (PDF)
Drawing (PDF)	RoHS Certificate of Compliance (PDF)
Product Specification 2005060001-PS-000 (PDF)	

General

Product Family	PCB Headers
Series	200502
Application	Automotive, Power, Signal, Wire-to-Board
Overview	stAK50h Connection System
Product Name	stAK50h
UPC	889056679756

Physical

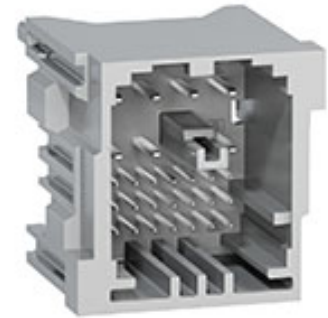
Breakaway	No
Circuits (Loaded)	28
Circuits (maximum)	28
Color - Resin	Gray
Durability (mating cycles max)	10
First Mate / Last Break	No
Glow-Wire Capable	No
Guide to Mating Part	Yes
Keying to Mating Part	Yes
Lock to Mating Part	Yes
Material - Metal	Copper Alloy
Material - Plating Mating	Tin
Material - Plating Termination	Tin
Material - Resin	SPS
Net Weight	10.000/g
Number of Rows	5
Orientation	Right Angle
PCB Locator	Yes
PCB Retention	None
PCB Thickness - Recommended	1.60mm
Packaging Type	Tube
Pitch - Mating Interface	2.00mm, 4.00mm
Pitch - Termination Interface	2.00mm, 4.00mm
Polarized to Mating Part	Yes
Polarized to PCB	Yes
Shrouded	Yes
Stackable	Yes
Surface Mount Compatible (SMC)	Yes
Temperature Range - Operating	-40° to +85°C
Termination Interface: Style	Through Hole

Electrical

Current - Maximum per Contact	12.0A, 5.0A
Voltage - Maximum	500V DC

Material Info

Reference - Drawing Numbers



Series image - Reference only

EU ELV

Compliant

EU RoHS

Compliant

REACH SVHC

Contained Per -
D(2020)4578-DC (25
June 2020)
benzene-1,2,4-
tricarboxylic acid 1,2-
anhydride
decamethylcyclopentasiloxane
benzene-1,2,4-
tricarboxylic acid 1,2-
anhydride
decamethylcyclopentasiloxane
dodecamethylcyclohexasiloxane
benzene-1,2,4-
tricarboxylic acid 1,2-
anhydride
octamethylcyclotetrasiloxane
disodium 3,3'-[[1,1'-
biphenyl]-4,4'-
diylbis(azo)
dodecamethylcyclohexasiloxane
6-methoxy-m-toluidine
di-n-pentyl phthalate
(DPP)
tricosafuorododecanoic
acid
heptacosafuorotetradecanoic
acid
dodecamethylcyclohexasiloxane
1-vinylimidazole
1,3-propanesultone
chromium trioxide
disodium 4-
amino-3-[[4'-[(2,4-
diaminophenyl)azo]
henicosafuoroundecanoic
acid
1-vinylimidazole
diisopentylphthalate
methoxyacetic acid

China RoHS

Application Specification
Product Specification
Sales Drawing

2005060000-AS-000
2005060001-PS-000
2005021280SD-000

dibutyltin dichloride
4,4'-methylenedi-o-
toluidine
1-vinylimidazole
diethyl sulphate
dimethyl sulphate
N-methylacetamide
dicyclohexyl phthalate
dihexyl phthalate
(DnHP)
diethyl sulphate
Silicic acid (H₂Si₂O₅),
barium salt (1:1),
lead-
[phthalato(2-)]dioxotrilead
Fatty acids, C16-18,
lead salts
4-aminoazobenzene
diethyl sulphate
ethylene thiourea
4-o-tolylazo-o-
toluidine
nitrobenzene
1-bromopropane
furan
ethylene thiourea
dinoseb (ISO)
butyl 4-
hydroxybenzoate
o-toluidine
4-methyl-m-
phenylenediamine
ethylene thiourea
Tris(4-nonylphenyl,
branched and linear)
phosphi
Pyrene
Cadmium nitrate
Chrysene
Dodecachloropentacyclo[12.2.1.16,9.02,13.05,10]o
Tris(4-nonylphenyl,
branched and linear)
phosphi
Zirconia
Aluminosilicate
Refractory Ceramic
Fibr
Trixylyl phosphate
4-(1,1,3,3-
tetramethylbutyl)phenol,
ethoxylated
2,3,3,3-tetrafluoro-2-
(heptafluoropropoxy)propio
Tris(4-nonylphenyl,
branched and linear)
phosphi
Sodium perborate;
perboric acid, sodium
salt
Cadmium sulphate
1,2-
benzenedicarboxylic
acid, di-C6-10-alkyl
est

5-sec-butyl-2-(2,4-dimethylcyclohex-3-en-1-yl)-5
Perfluorohexane-1-sulphonic acid and its salts
Sodium perborate; perboric acid, sodium salt
Reaction
products of 1,3,4-thiadiazolidine-2,5-d
Perfluorononan-1-oic acid
(2,2,3,3,4,4,5,5,6,6,7
4-(1,1,3,3-tetramethylbutyl)phenol, ethoxylated
hexahydro-2-benzofuran-1,3-dione
Sodium perborate; perboric acid, sodium salt
dibutylbis(pentane-2,4-dionato-O,O')tin
2-(2H-benzotriazol-2-yl)-4,6-ditertpentylphenol
2-(2H-benzotriazol-2-yl)-4-(tert-butyl)-6-(sec-b
Terphenyl, hydrogenated
1,2-Benzenedicarboxylic acid, dihexyl ester, bra
dibutylbis(pentane-2,4-dionato-O,O')tin
ammoniumpentadecafluorooctanoate sodium
peroxometaborate
disodium octaborate
2-ethylhexyl 10-ethyl-4,4-dioctyl-7-oxo-8-oxa-3,
dibutylbis(pentane-2,4-dionato-O,O')tin
1,3-BENZENEDIOL, TRINITRO-, LEAD
SALT
Hydrazine
Disodium tetraborate
Boric acid
Aluminosilicate
Refractory Ceramic
Fibres
1,3-BENZENEDIOL, TRINITRO-, LEAD
SALT
pentacosafuorotridecanoic acid
1,2-benzenedicarboxylic

acid, dipentylester,
bra
3-ethyl-2-methyl-2-
(3-methylbutyl)-1,3-
oxazolidi
n-pentyl-
isopentylphthalate
1,3-BENZENEDIOL,
TRINITRO-, LEAD
SALT
N-methyl-2-
pyrrolidone
1,2-
benzenedicarboxylic
acid; di-C7-11-
branched
N-methyl-2-
pyrrolidone
1,2-
benzenedicarboxylic
acid; di-C7-11-
branched
2-ethoxyethyl acetate
N-methyl-2-
pyrrolidone
1,2-
benzenedicarboxylic
acid; di-C6-8-
branched a
calcium arsenate
2-ethoxyethyl acetate
tetraboron disodium
heptaoxide, hydrate
cobalt carbonate
cobalt di(acetate)
cobalt sulphate
2-ethoxyethyl acetate
arsenic acid
2-methoxyaniline
trilead diarsenate
1,2-dichloroethane
pentazinc chromate
octahydroxide
arsenic acid
bis(2-methoxyethyl)
ether
potassium
hydroxyoctaoxidizincatedichromate(1-)
lead dipicrate
N,N-
dimethylacetamide
arsenic acid
lead hydrogen
arsenate
Butylbenzylphthalate
(BBP)
Anthracene oil,
anthracene paste;
Anthracene Oil
Anthracene oil,
anthracene paste,
anthracene fra
Anthracene oil,
anthracene paste,
distn. lights;

lead hydrogen
arsenate
triethyl arsenate
4,4'-
diaminodiphenylmethane
dibutyl phthalate
(DBP)
bis(2-ethylhexyl)
phthalate (DEHP)
lead hydrogen
arsenate
tris(2-chloroethyl)
phosphate
ammonium
dichromate
potassium chromate
potassium dichromate
sodium chromate
tris(2-chloroethyl)
phosphate
Anthracene oil,
anthracene-low;
Anthracene Oil F
lead chromate
Lead chromate
molybdate sulfate red
Lead sulfochromate
yellow
tris(2-chloroethyl)
phosphate
cadmium fluoride
pyrochlore, antimony
lead yellow
lead dinitrate
cadmium chloride
Silicic acid, lead salt
cadmium fluoride
[4-[[[4-anilino-1-
naphthyl]]4-
(dimethylamino)phen
 α,α #Bis[4-
(dimethylamino)phenyl]-4
(phenylamino)
lead
cadmium
cadmium fluoride
dioxobis(stearato)trilead
Lead titanium
zirconium oxide
cadmium hydroxide
Acetic acid, lead salt,
basic
Sulfurous acid, lead
salt, dibasic
dioxobis(stearato)trilead
lead oxide sulfate
pentalead tetraoxide
sulphate
trilead dioxide
phosphonate
tetralead trioxide
sulphate
dioxobis(stearato)trilead
dichromium
tris(chromate)

4,4'-
bis(dimethylamino)benzophenone
1,2-dimethoxyethane
cadmium carbonate
[4-[4,4'-
bis(dimethylamino)
benzhydrylidene]cycl
dichromium
tris(chromate)
Formaldehyde,
polymer with
benzenamine
bis(2-methoxyethyl)
phthalate
lead diazide
phenolphthalein
dichromium
tris(chromate)
cadmium sulphide
orange lead
trilead bis(carbonate)
dihydroxide
Lead oxide
1,3,5-
tris(oxiranylmethyl)-1,3,5-
triazine-2,4,6(
cadmium sulphide
4,4'-
bis(dimethylamino)-4"-
(methylamino)trityl
bis(pentabromophenyl)
ether
diboron trioxide
cadmium oxide (non-
pyrophoric)
cadmium sulphide

**Halogen-Free
Status**

Low-Halogen

For more information, please visit [Contact US](#)

China ROHS	Green Image
ELV	Compliant
RoHS Phthalates	Not Contained

Search Parts in this Series

[200502](#) Series

Mates With

[1600140003](#)

This document was generated on 10/27/2020

PLEASE CHECK WWW.MOLEX.COM FOR LATEST PART INFORMATION