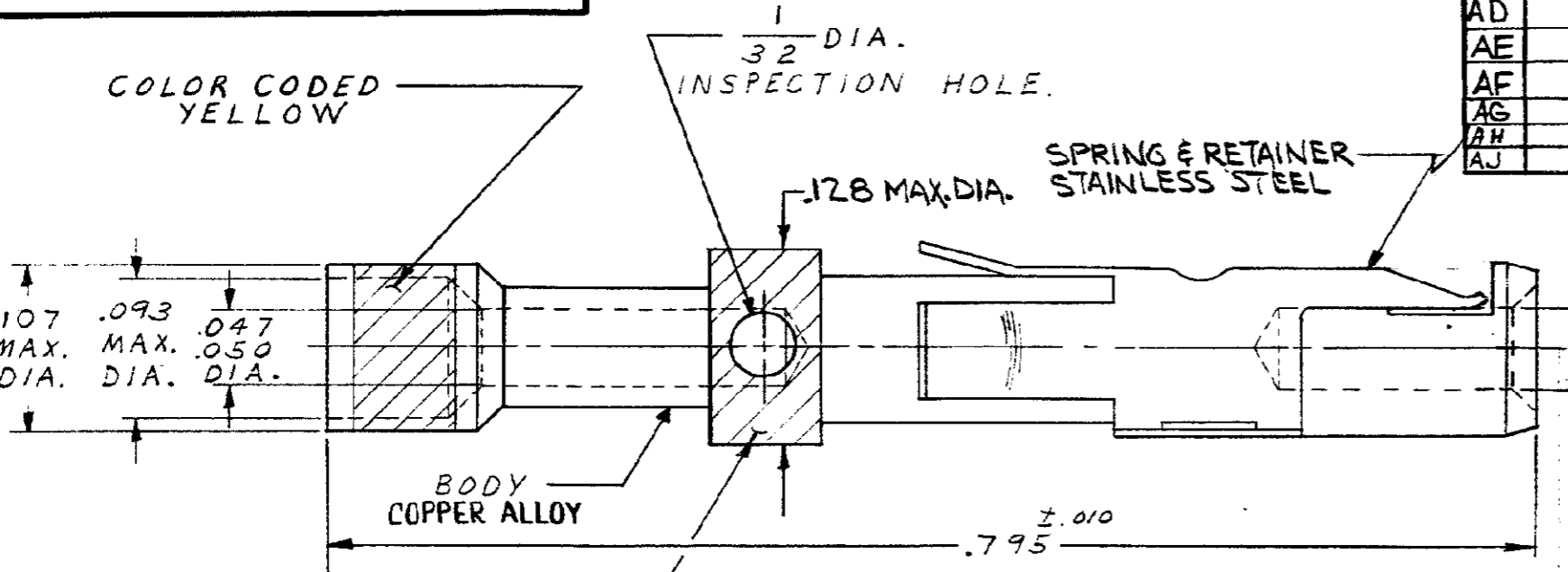


© 1959 BY AMP INCORPORATED. ALL RIGHTS RESERVED. AMP PRODUCTS COVERED BY PATENTS AND/OR PATENTS PENDING.

NUMBER 200331



REVISIONS				
SYM	ZONE	DESCRIPTION	DATE	APPROVAL
AC		OBSOLETE -3 & -7 ECN D-260	9/12/74	DS
AD		REVISED ECN S4142	9-17-87	THW
AE		OBSOLETE -8 PER ECN S4350	12-15-87	THW
AF		OBSOLETE 1-0 PER ECN S4623	5-17-88	THW
AG		OBS-2 & -9 PER ECN S4359	2/7/89	THW
AH		REV PER ECN BD 2619	3-20-89	THW
AJ		OBS-4, -5 & -6 PER ECN BD 3038	10-11-89	J.T.

WHEN ORDERING CONTACT ON TAPE, ORDER BY THE TAPE NUMBER PLUS THE PACKAGING CODE AS FOLLOWS:
 1. FOR USE WITH AMP TAPETRONIC, PNEUMATIC TOOL -
 A. 1000 PARTS TO A BOX ADD PACKAGING CODE: 1MBOX
 2. FOR USE WITH 4/8 INDENT STRIPPER CRIMPER -
 A. 1000 PARTS TO A REEL ADD PACKAGING CODE: 1MREEL
 B. 5000 PARTS TO A REEL ADD PACKAGING CODE: 5MREEL

COLOR CODED RED

OBSOLETE	200331-9	.00005 MIN GOLD OVER .00003 MIN NICKEL	1-200331-0	OBSOLETE
OBSOLETE	200331-7	.00005 MIN RHOBIUM OVER .00005 MIN POROUS NICKEL		
OBSOLETE	200331-6	.0001 MIN GOLD OVER .00005 MIN NICKEL		
OBSOLETE	200331-5	.000015 MIN GOLD OVER .00005 MIN NICKEL		
OBSOLETE	200331-4	.0001 MIN GOLD OVER .0001 MIN SILVER		
OBSOLETE	200331-3	.00004 MIN GOLD OVER .00003 MIN NICKEL		
OBSOLETE	200331-2	.0001 MIN SILVER OVER .00003 MIN NICKEL		
	200331-1	.00003 MIN GOLD OVER .00005 MIN NICKEL	200331-8	OBSOLETE
	PART NO.	FINISH	TAPE MTD ASSY NO	

NOTE:
 1. PLATING THICKNESS TO BE MEASURED ON SURFACES ACCESSIBLE WITH 1/4 INCH DIAMETER SPHERE.
 2. WIRE SIZE: 20 TO 24

QTY REQD	PART OR IDENTIFYING NO.	NOMENCLATURE OR DESCRIPTION
LIST OF MATERIALS OR PARTS LIST		
UNLESS OTHERWISE SPECIFIED DIMENSIONS ARE IN INCHES TOLERANCES ON		SIGNATURE <i>M. Smith</i> DATE 8-21-63
FRACTIONS ± 1/64	DECIMALS ± .015	
MATERIAL SEE CALL OUT		AMP INCORPORATED HARRISBURG, PENNSYLVANIA
HEAT TREAT ++		NAME # 20 CONTACT SOCKET TYPE II
FINISH ++		AMP TRADEMARK
AMP INFO M 10 LOC B039A		DESIGN APPD <i>F. B. ...</i> DATE 8-23-63
		APPROV <i>CLC</i> DATE 8/23/63
		OTHER APPD
		CODE IDENT NO 00779
		SIZE B
		NUMBER 200331
		SCALE 10-1
		WT CALC ACTUAL
		SHEET 1 OF 1

OBSOLETE
NOT THE LATEST REVISION
CUSTOMER DRAWING