



Sensors &gt; Vibration Sensors

Accelerometer Type: **MEMS DC**Vibration Sensor Product Type: **MEMS Accelerometer**Number of Sensing Axes: **Uniaxial**Frequency Response: **0-1300 Hz**Full Scale Output Voltage: **±.2 VDC**

## Features

### Product Type Features

Sensor Package	Plug & Play
Accelerometer Type	MEMS DC
Vibration Sensor Product Type	MEMS Accelerometer

### Configuration Features

Electrical Connection	Integral Cable
-----------------------	----------------

### Electrical Characteristics

Zero Acceleration Output	±20 mV
Excitation Voltage Range	2 – 15 VDC
Full Scale Output Voltage	±.2 VDC

### Signal Characteristics

Frequency Response	0-1300 Hz
--------------------	-----------

### Body Features

Primary Product Material	Stainless Steel
Product Weight	10 g [.35 oz]
Number of Sensing Axes	Uniaxial

### Mechanical Attachment

Sensor Mount Type	Screw Mount
-------------------	-------------

### Usage Conditions



Operating Temperature Range	-40 – 100 °C[-40 – 212 °F]
-----------------------------	----------------------------

### Operation/Application

Output Current Type	DC
---------------------	----

### Industry Standards

IP Rating	IP66
-----------	------

### Other

Non-Linearity (FSO)	±1 %
---------------------	------

Acceleration Range (±)	250 g
------------------------	-------

Sensitivity	.8 mV/g
-------------	---------

## Product Compliance

For compliance documentation, visit the product page on [TE.com](https://www.te.com)>

EU RoHS Directive 2011/65/EU	Not Compliant
------------------------------	---------------

EU ELV Directive 2000/53/EC	Out of Scope
-----------------------------	--------------

China RoHS 2 Directive MIIT Order No 32, 2016	Restricted Materials Above Threshold
---	--------------------------------------

EU REACH Regulation (EC) No. 1907/2006	<p>Current ECHA Candidate List: JUNE 2024 (241)  Candidate List Declared Against: JAN 2022 (223)  SVHC &gt; Threshold:  Pb (50% in component )  Terphenyl hydrogenated (10% in component)</p>
--	---

**Article Safe Usage Statements:**

Do not eat, drink or smoke when using this product. Wash thoroughly after handling. Recycle if possible and dispose of the article by following all applicable governmental regulations relevant to your geographic location.

Halogen Content	Not Yet Reviewed for halogen content
-----------------	--------------------------------------

Solder Process Capability	Not applicable for solder process capability
---------------------------	--

#### Product Compliance Disclaimer

This information is provided based on reasonable inquiry of our suppliers and represents our current actual knowledge based on the information they provided. This information is subject to change. The part numbers that TE has identified as EU RoHS compliant have a maximum concentration of 0.1% by weight in homogenous materials for lead, hexavalent chromium, mercury, PBB, PBDE, DBP, BBP, DEHP, DIBP, and 0.01% for cadmium, or qualify for an exemption to these limits as defined in the Annexes of Directive 2011/65/EU (RoHS2). Finished electrical and electronic equipment products will be CE marked as required by Directive 2011/65/EU. Components may not be CE marked. Additionally, the part numbers that TE has identified as EU ELV compliant have a maximum concentration of 0.1% by weight in homogenous materials for lead, hexavalent chromium, and mercury, and 0.01% for cadmium, or qualify for an exemption to these limits as defined in the Annexes of Directive 2000/53/EC (ELV). Regarding the REACH Regulation, the information TE provides on SVHC in articles for this part number is based on the latest European Chemicals Agency (ECHA) 'Guidance on requirements for substances in articles' posted at this URL: <https://echa.europa.eu/guidance-documents/guidance-on-reach>

## Compatible Parts



TE Part # 20009500-00  
EGCS-D0-25-/L2M



TE Part # EGCS-100-C10014  
EGCS-D1S-100




TE Part # EGCS-10K-C20105  
EGCS-D0-10000-/V10/L10M



TE Part # EGCS-5-C20037  
EGCS-D1SM-5-/V2.5/C

## Also in the Series | MEAS EGCS



Vibration Sensors(48)

## Customers Also Bought




TE Part #DT04-2P  
REC, 2P, GRY, N



TE Part #DT06-2S  
PLG, 2P, GRY, N



TE Part #W2S  
Wedgelocks: DEUTSCH DT



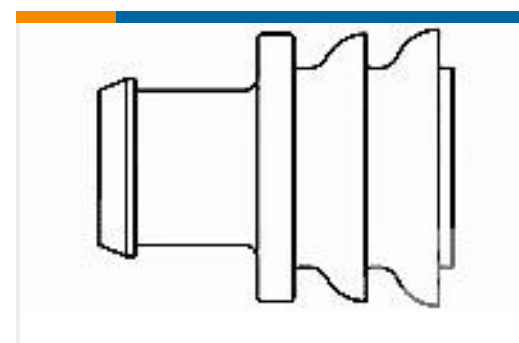
TE Part #0460-202-16141  
DEUTSCH Solid Contacts



TE Part #282080-1  
AMP SUPERSEAL 1.5MM,  
CONNECTOR HOUSING



TE Part #206070-8  
CABLE CLAMP KIT #17



TE Part #281934-2  
SINGLE WIRE SEAL

## Documents

[CAD Files](#)

[3D PDF](#)

[3D](#)

[Customer View Model](#)

[ENG\\_CVM\\_CVM\\_20014841-00\\_E.2d\\_dxf.zip](#)



English

Customer View Model

[ENG\\_CVM\\_CVM\\_20014841-00\\_E.3d\\_igs.zip](#)

English

Customer View Model

[ENG\\_CVM\\_CVM\\_20014841-00\\_E.3d\\_stp.zip](#)

English

By downloading the CAD file I accept and agree to the [Terms and Conditions](#) of use.

**Datasheets & Catalog Pages**

[EGCS\\_D0\\_D1S\\_Accelerometer](#)

English