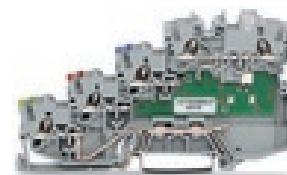




4-conductor sensor terminal block; LED (yellow); for PNP (positive) switching sensors; with ground contact

Item No.: 2000-5417/1102-950



4-conductor sensor terminal block; LED (yellow); for PNP (positive) switching sensors; with ground contact

Marking

RoHS ✓
Compliant

Business data

Supplier	WAGO
Item no.	2000-5417/1102-950
GTIN / EAN	4055143452632
Content	1
Order amount	50
Customer item number	

Notes

Item description: 3.5 mm spacing per signal (2 x 3.5 mm = 7 mm) The double spacing per pole of this terminal block series maximizes connectivity. For example, ten sensors may be connected using only five sensor terminal blocks plus a power supply terminal block.

Technical data

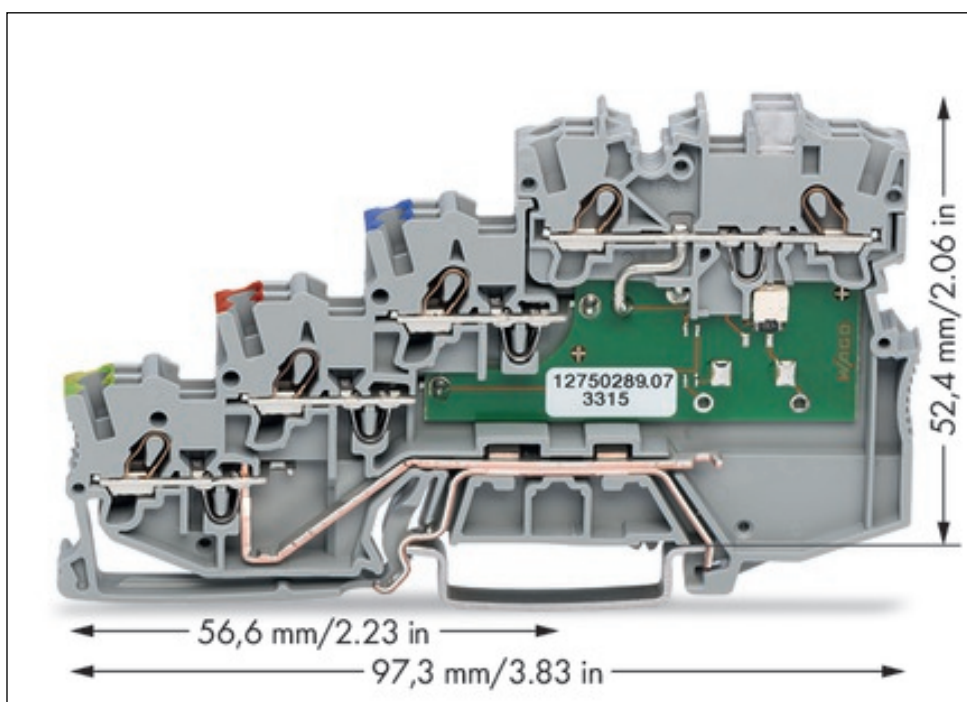
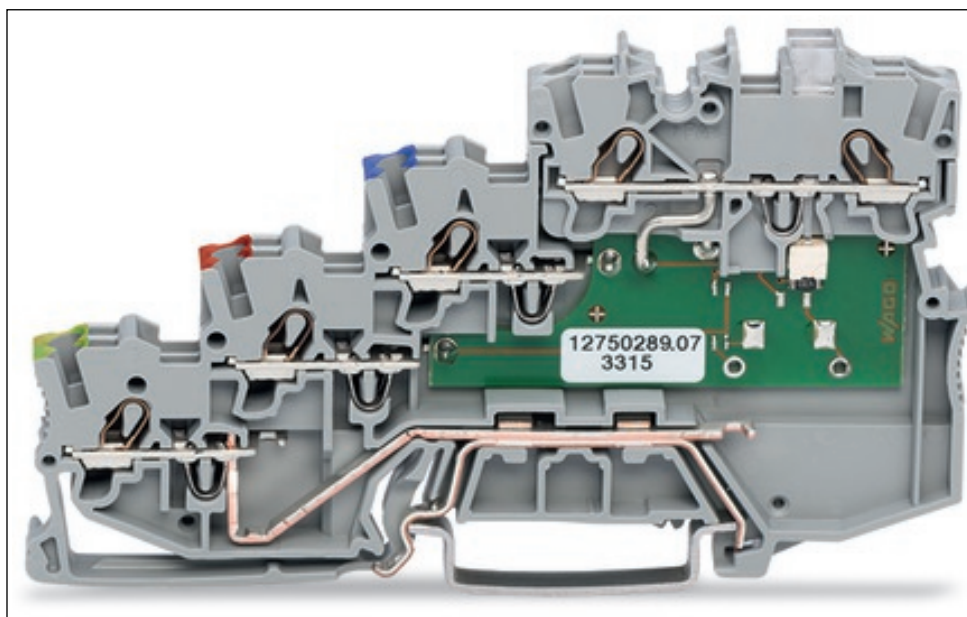
Miscellaneous

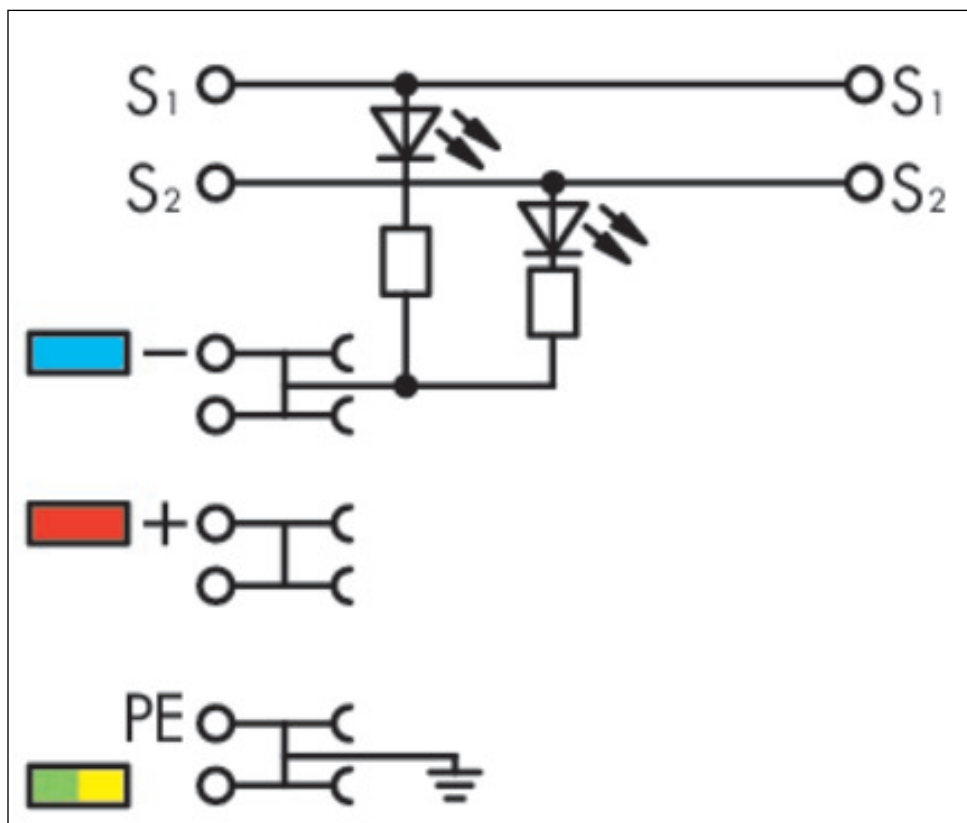
Packaging type	BOX
Ratings per	IEC/EN 60947-7-1
Rated current [A]	13.5 [A]

Technical data	
<i>Legend (ratings)</i>	<i>(III / 3) Overvoltage category III / Pollution degree 3</i>
<i>Nominal voltage [V]</i>	<i>24 [V]</i>
<i>Type of wiring</i>	<i>Front-entry wiring</i>
<i>Total number of connection points</i>	<i>10</i>
<i>Total number of potentials</i>	<i>5</i>
<i>Connection technology</i>	<i>Push-in CAGE CLAMP®</i>
<i>Number of connection points (connection type)</i>	<i>10</i>
<i>Actuation type</i>	<i>Push-in</i>
<i>Connectable conductor materials</i>	<i>Copper</i>
<i>Nominal cross section</i>	<i>1 mm²</i>
<i>Solid conductor</i>	<i>0.14 ... 1.5 mm² / 24 ... 16 AWG</i>
<i>Solid conductor, push-in termination</i>	<i>0.5 ... 1.5 mm² / 20 ... 16 AWG</i>
<i>Fine-stranded conductor</i>	<i>0.14 ... 1.5 mm² / 24 ... 16 AWG</i>
<i>Fine-stranded conductor with ferrule, push-in termination, f</i>	<i>0.5 mm² / 20 AWG</i>
<i>Strip length</i>	<i>9 ... 11 mm / 0.35 ... 0.43 Inch</i>
<i>Width</i>	<i>7 mm / 0.276 Inch</i>
<i>Height from upper-edge of DIN-35 rail</i>	<i>52.4 mm / 2.063 Inch</i>
<i>Design</i>	<i>horizontal</i>
<i>Type of mounting</i>	<i>Carrier rail 35 x 15</i>
<i>Marking level</i>	<i>Center/side marking</i>
<i>Color</i>	<i>gray</i>
<i>Insulating material</i>	<i>Polyamide 66 (PA 66)</i>
<i>Fire load [MJ]</i>	<i>1.306 [MJ]</i>
<i>Weight [g]</i>	<i>22.398 [g]</i>

Printview: 4-conductor sensor terminal block; LED (yellow); for PNP (positive) switching sensors; with ground contact - Item No.: 2000-5417/1102-950

Images & drawings





Address

WAGO Kontakttechnik GmbH & Co. KG

Hansastr. 27

32423 Minden

Telefon: 0571/887-0

Fax: 0571/887-169

<http://www.wago.com>

© WAGO Kontakttechnik GmbH & Co. KG

Technische Änderungen und Irrtümer vorbehalten.