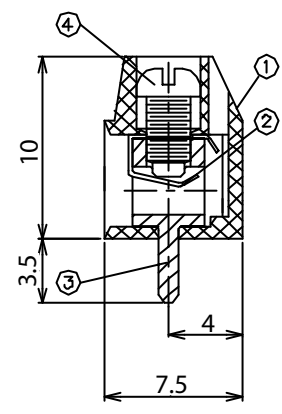
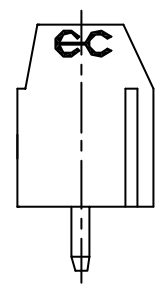
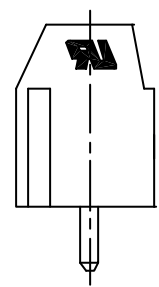
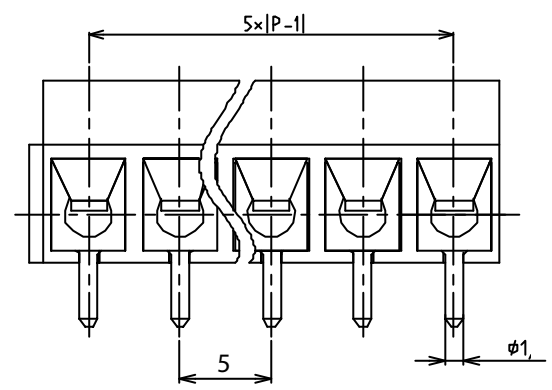
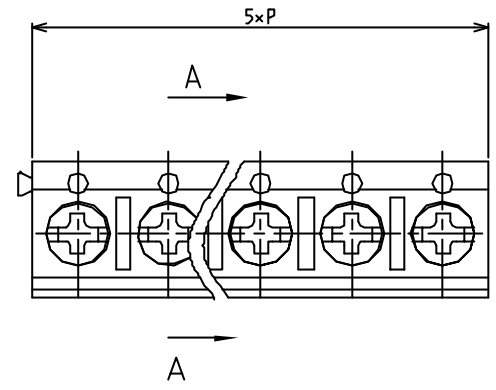


Used for:

- NOTES:
1. Rating: 310V 16A;
PITCH: 5mm
 2. Insulation Withstands Voltage:
AC1001V/MIN
 3. Insulation Resistance:
1000MΩ or more at DC511V
 4. Using Temperature Range:
-40°C--+105°C
 5. Screw Torque Value: 4.4kg-cm
 6. Suitable Electric Wire:
14-21AWG



4	Screw	S011113311	Steel	Znc-Plated			
3	Terminal	C11111111111	HPb59-1	Tin-Plated			
2	Clamp	1009M11111	QSn6.5-1.1	Ni-Plated			
1	Housing	1119P01111	PBT G21	GREY			
ITEM	NAME OF PART	NO OF PART	Q'TY	MATERIAL	NDTE		
DWG.	CHENR	DATE	2003/11/17	UNTS	MN	SHEET/DF	1/1
CHK.		DATE		SCALE	1:1		
APP.		DATE		NAME		20.501M	
				DWG NO.			

Pitch range in mm		Nominal dimension range in mm		radius	clearance	slant angle	side	≡	□	∥	
2	0	16	24	32	0.5	3	6	10	11	50	120
to	to	to	to	to	to	to	to	to	to	to	to
8	16	24	32	36	3	6	30	12	50	120	481
±0.18	±0.13	±0.09	±0.07	±0.05	±0.1	±0.2	±0.5	±1	1°	31°	28°
0.2	0.5	1.16	0.32	1.4							

REV.	CONTENT	CHK.	DATE
------	---------	------	------

