

Ratings:

Current 8A
 Voltage 300 V
 Wire Size 28-16AWG
 Test Voltage / Dirt Level 4.0 kV/3
 Rated Torque / Screw Size 0.4Nm /M2

Rated Cross Section:

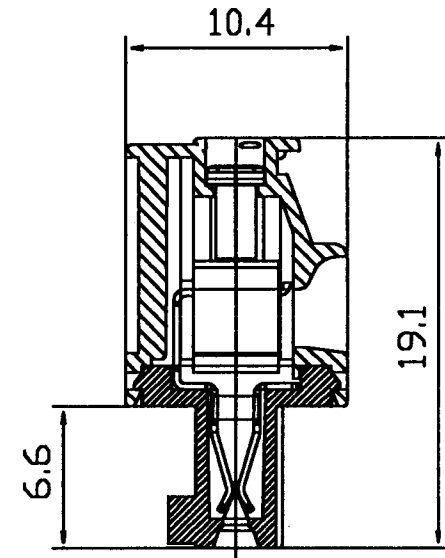
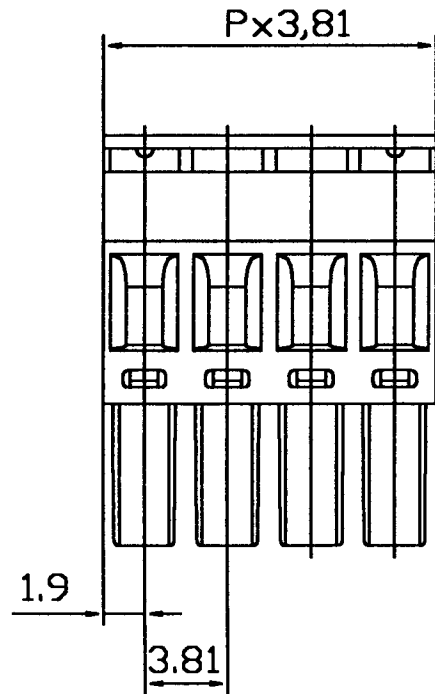
Single Wire (solid) 1.5mm²
 Stranded Wire (flexible) 1.0mm²
 Stranded Wire with Ferrules 1.0mm²

Dimensions:

Spacing 3.81mm
 Stripped Length 7.0mm

Materials:

Insulating Material PA
 Flammability UL94V-0
 Temperature -30°C/+105°C
 Block CuZn
 Contact CuSn
 Color Green



ON - SHORE TECHNOLOGY, INC.

Part Number

EDZ1710/[*][*]

* - NUMBER OF POSITIONS

Units

mm

Drawing

Reviewed

Approved

Date

2/15/99

Sheet 1 of 1

Rev. A