

2-936060-1 ✓ ACTIVE

Sealed Sensor Connector SSC System

TE Internal #: 2-936060-1

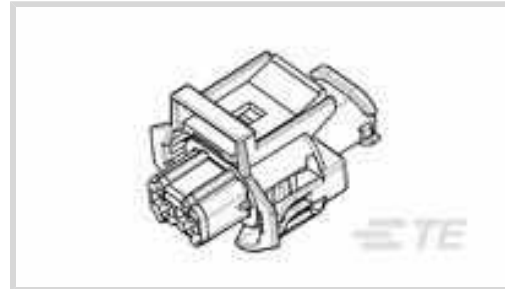
Wire-to-Device / Wire-to-Board, 3 Position, .197 in [5 mm]

Centerline, Sealable, Black, Signal, Sealed Sensor Connector SSC System

[View on TE.com >](#)



Connectors > Automotive Connectors > Automotive Housings



Mating Tab Width: 2.8 mm [.11 in]

Connector System: Wire-to-Board, Wire-to-Device

Number of Positions: 3

Centerline (Pitch): 5 mm [.197 in]

Sealable: Yes

Features

Product Type Features

Connector Shape	Rectangular
Connector System	Wire-to-Board, Wire-to-Device
Sealable	Yes
Hybrid Connector	No

Configuration Features

Number of Positions	3
Number of Rows	1

Body Features

Primary Product Color	Black
Connector & Keying Code	III

Contact Features

Contact Size	2.8mm
Mating Tab Width	2.8 mm[.11 in]

Mechanical Attachment

Terminal Position Assurance	No
Strain Relief	Without
Mating Alignment Type	Keyed
Mating Alignment	With



Connector Mounting Type	Cable Mount (Free-Hanging)
-------------------------	----------------------------

Housing Features

Housing Material	PA GF
Centerline (Pitch)	5 mm [.197 in]

Dimensions

Connector Height	30.5 mm [1.201 in]
Product Width	20.1 mm [.791 in]
Product Length	30 mm [1.181 in]

Operation/Application

Circuit Application	Signal
---------------------	--------

Packaging Features

Packaging Quantity	150
Packaging Method	Bag

Other

Serviceable	No
Connector Position Assurance Capable	No

Product Compliance

[For compliance documentation, visit the product page on TE.com>](#)

EU RoHS Directive 2011/65/EU	Compliant
EU ELV Directive 2000/53/EC	Compliant
China RoHS 2 Directive MIIT Order No 32, 2016	No Restricted Materials Above Threshold
EU REACH Regulation (EC) No. 1907/2006	Current ECHA Candidate List: JAN 2023 (233) Candidate List Declared Against: JAN 2023 (233) Does not contain REACH SVHC
Halogen Content	Low Halogen - Br, Cl, F, I < 900 ppm per homogenous material. Also BFR/CFR/PVC Free
Solder Process Capability	Not applicable for solder process capability

Product Compliance Disclaimer

This information is provided based on reasonable inquiry of our suppliers and represents our current actual knowledge based on the information they provided. This information is subject to change. The part numbers that TE has identified as EU RoHS compliant have a maximum concentration of 0.1% by weight in homogenous materials for lead, hexavalent



chromium, mercury, PBB, PBDE, DBP, BBP, DEHP, DIBP, and 0.01% for cadmium, or qualify for an exemption to these limits as defined in the Annexes of Directive 2011/65/EU (RoHS2). Finished electrical and electronic equipment products will be CE marked as required by Directive 2011/65/EU. Components may not be CE marked. Additionally, the part numbers that TE has identified as EU ELV compliant have a maximum concentration of 0.1% by weight in homogenous materials for lead, hexavalent chromium, and mercury, and 0.01% for cadmium, or qualify for an exemption to these limits as defined in the Annexes of Directive 2000/53/EC (ELV). Regarding the REACH Regulation, the information TE provides on SVHC in articles for this part number is based on the latest European Chemicals Agency (ECHA) 'Guidance on requirements for substances in articles' posted at this URL: <https://echa.europa.eu/guidance-documents/guidance-on-reach>

Compatible Parts

TE Part # 828905-1
SINGLE-WIRE-SEAL(5MM HOLE)

TE Part # 828904-1
SINGLE WIRE SEAL FOR J.P.T.CON

TE Part # CAT-AM706-T273
AMP MCP, SFC, RECEPTACLE

TE Part # 936112-1
2.8mm Sealed 3P Cover

TE Part # 936106-1
2.8MM SLD 3P PLUG RETAINER YEL

TE Part # 936106-3
2.8MM SLD 3P PLUG RETAINER GRY

TE Part # 2297696-2
2.8MM SLD 3P PLUG COVER HSG

TE Part # 936106-2
2.8MM SLD 3P PLUG RETAINER BLK

Also in the Series | Sealed Sensor Connector SSC System

Automotive Connector Caps & Covers (7)

Automotive Connector Locks & Position Assurance(6)

Automotive Housings(174)

Automotive Seals & Cavity Plugs(3)

Automotive Terminals(8)

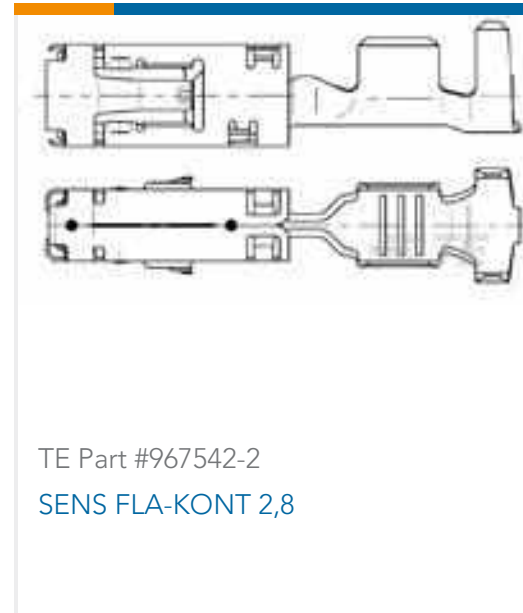
Insertion & Extraction Tools(1)

Other Automotive Connector Accessories(5)

Customers Also Bought



TE Part #1-1355118-1
RETAINER FOR 60POS SOCKET HSG



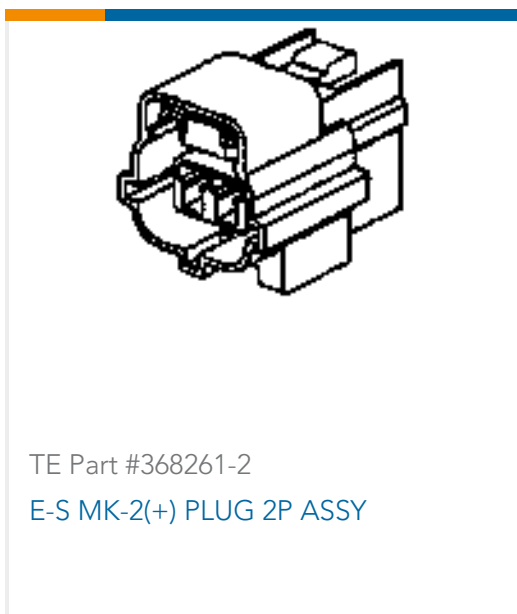
TE Part #967542-2
SENS FLA-KONT 2,8



TE Part #1897702-2
Timer Connector Housing



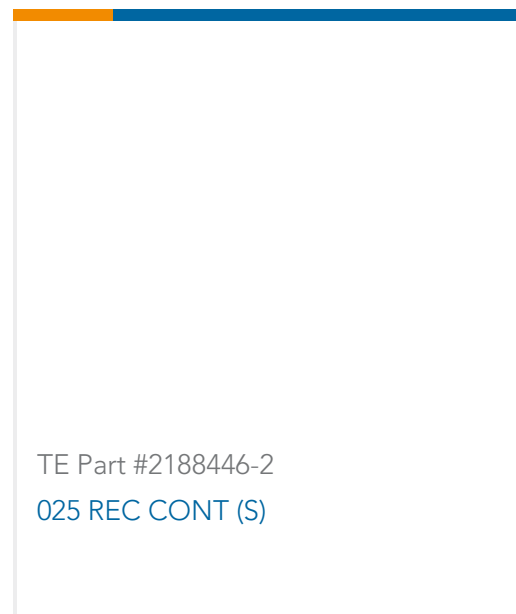
TE Part #2109005-2
MULTILOCK, RECEPTACLE AND TAB



TE Part #368261-2
E-S MK-2(+) PLUG 2P ASSY



TE Part #1-1897255-2
SLOT CLIP FOR J300 / 090 TYPE



TE Part #2188446-2
025 REC CONT (S)

Documents

Product Drawings

2.8MM SLD 3P PLUG ASSY

English

CAD Files

Customer View Model

[ENG_CVM_CVM_2-936060-1_C.2d_dxf.zip](#)

English

3D PDF

3D

Customer View Model

[ENG_CVM_CVM_2-936060-1_C.3d_igs.zip](#)

English

Customer View Model

[ENG_CVM_CVM_2-936060-1_C.3d_stp.zip](#)

English

By downloading the CAD file I accept and agree to the [Terms and Conditions](#) of use.

Product Specifications

Application Specification

English

2.8MM SENSOR FLAT TYPE RECEPTACLE CONTACT SYSTEM

English

Application Specification

English

2-936060-1

Wire-to-Device / Wire-to-Board, 3 Position, .197 in [5 mm] Centerline, Sealable, Black, Signal, Sealed Sensor Connector SSC System

