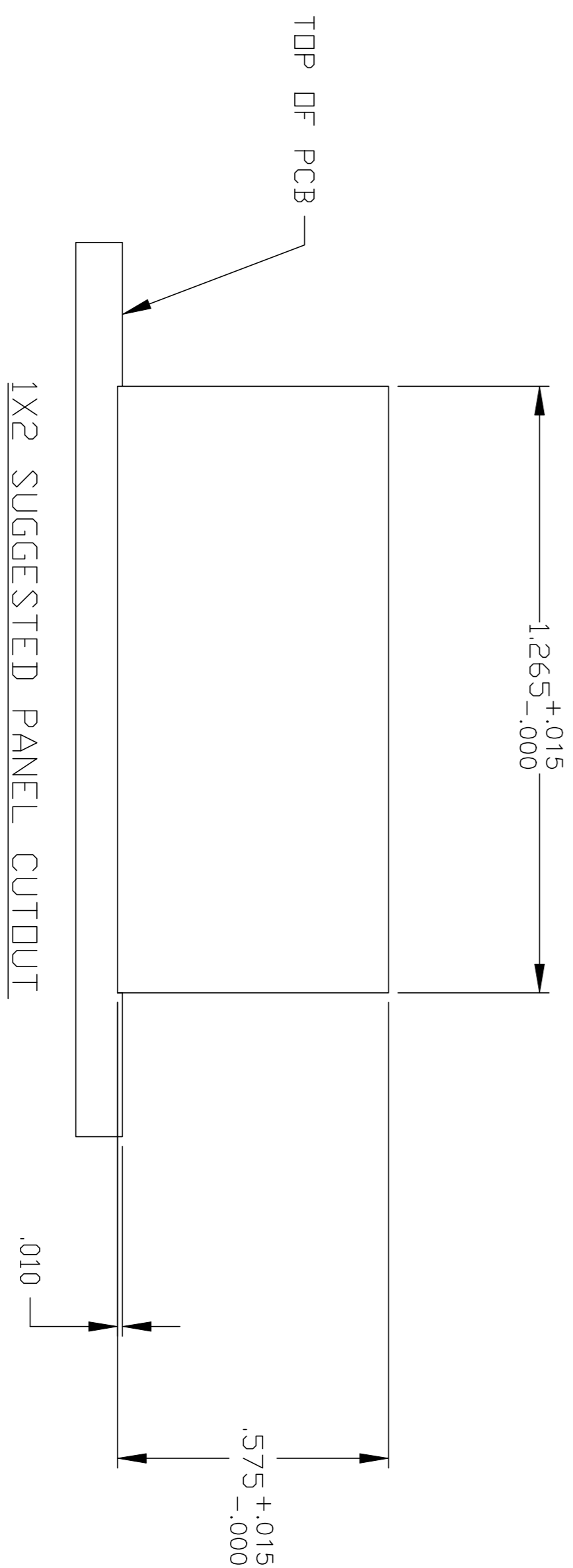
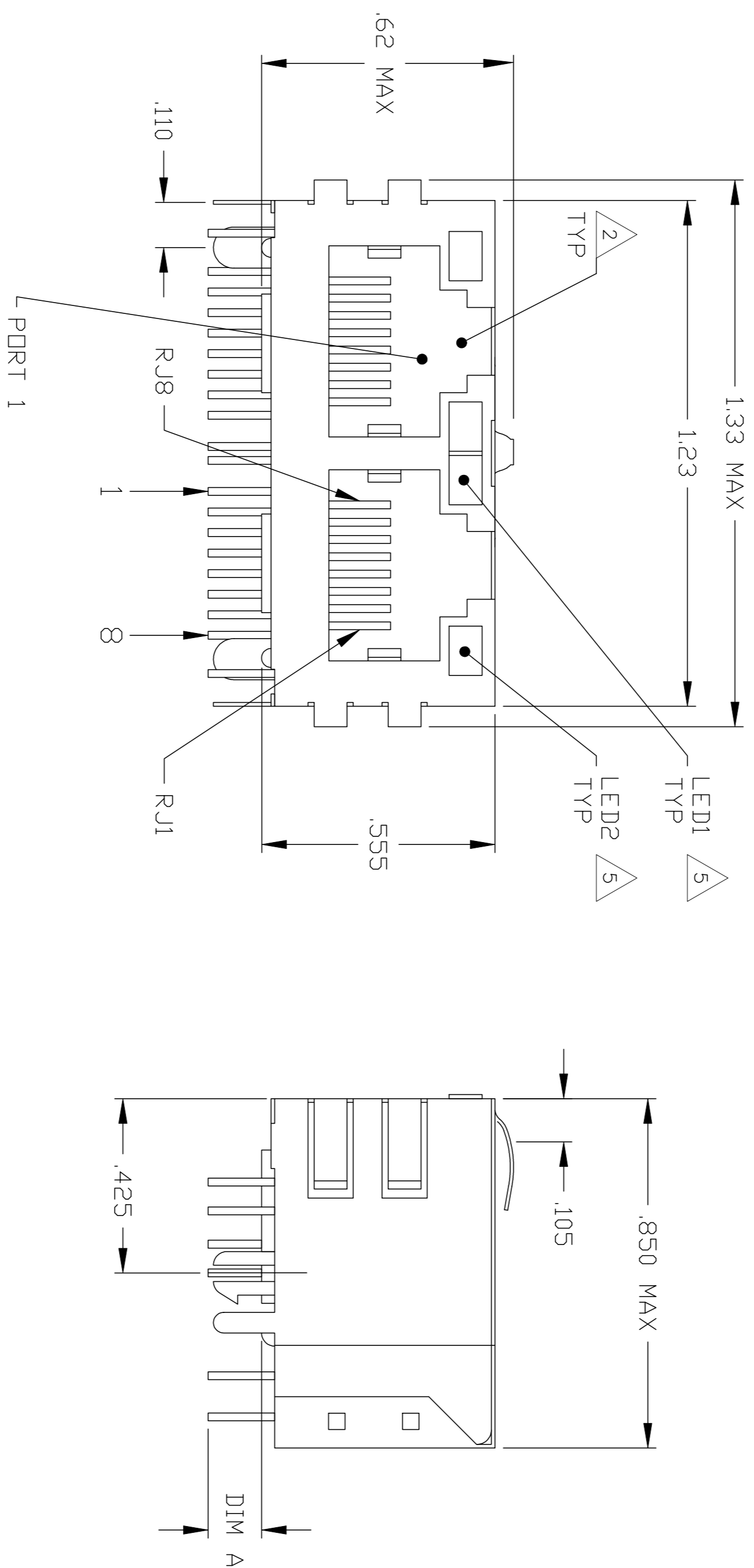
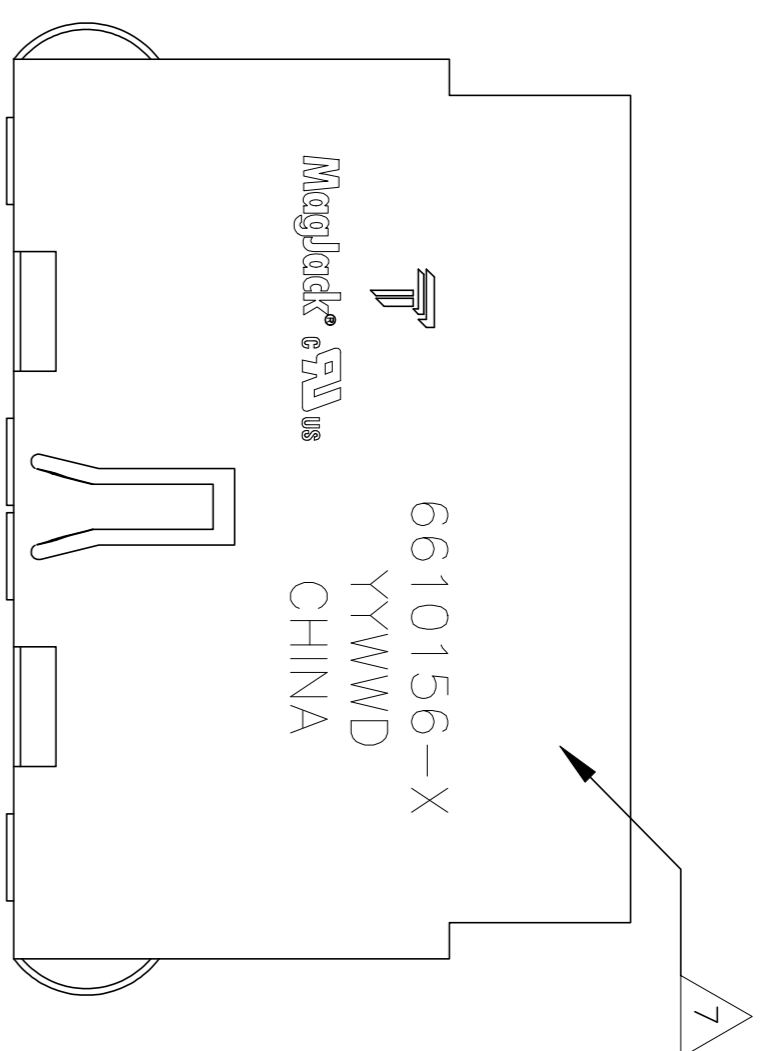


THIS DRAWING AND THE SUBJECT MATTER THEREON ARE CONFIDENTIAL AND THE PROPERTY OF BEL/STEWART/TRP CONNECTOR AND SHALL NOT BE REPRODUCED, COPIED, OR USED IN ANY MANNER WITHOUT THE WRITTEN CONSENT OF TRP CONNECTOR.

PRODUCT MAY BE PROTECTED BY ONE OR MORE OF THE FOLLOWING US PATENTS:
 5736910 5939955 6425781 6428361 6554638 6840817 7123117
 7429195 7717749 7808751 6217391 6149050 7924130

REVISONS		DATE	BY
P	TRP		
G	EC-1411035 COMPANY LOGO CHANGE	06/JAN/2015	DZ TL

MECHANICAL:



- 1 MATERIALS
 -HOUSING - THERMOPLASTIC PET POLYESTER FLAMMABILITY RATING UL 94V-0
 -SHIELD - 0.010" THICK, C26800 BRASS PREPLATED WITH 30μINCH MIN SEMI-BRIGHT NICKEL. SOLDER TABS POST DIPPED WITH 100μINCH MIN SAC SOLDER.
 -MOD JACK CONTACTS - 0.0157" X 0.018" PHOSPHOR BRONZE, 50μINCH MIN OVERALL NICKEL UNDERPLATE WITH SELECT 50μINCH MIN HARD GOLD FINISH PLATE.
 -LIGHT EMITTING DIODE(LED) - DIFFUSED EPOXY LENS, 0.020" X 0.020" CARBON STEEL WIREBOND LEADS PRE-PLATED WITH 80μINCH SILVER OVER 40μINCH NICKEL UNDERPLATE OVER 40μINCH COPPER UNDERPLATE POST-PLATED WITH 100μINCH MIN MATTE TIN AND/OR SAC SOLDER DIP OR PURE TIN SOLDER DIP
- 2 RJ45 JACK CAVITY CONFORMS TO FCC RULES AND REGULATIONS PART 68, SUB PART F
- 3 MAGNETICS
 -IMPEDANCE: 100 OHMS
 -TURN RATIO (CHP, CABLE): TX = 11, RX = 11
 -OPEN CIRCUIT INDUCTANCE (OC): 350pH MIN @100MHz, 0.1V RMS,
 8mADC BIAS FROM 0°C TO 70°C, TX AND RX
 -PERFORMANCE @ 25°C
 INSERTION LOSS (IL): 1.1dB MAX FROM 0.5MHz TO 100MHz
 RETURN LOSS (RL): 18dB MIN FROM 0.5MHz TO 30MHz
 18 - 20LOG(F/30)DB MIN FROM 30 MHz TO 60MHz
 12dB MIN FROM 60 MHz TO 80MHz
 33-20LOG(F/50)DB MIN FROM 4.0 MHz TO 100MHz
 COMMON MODE REJECTION RATIO (CMRR): 30dB MIN FROM 0.5MHz TO 100MHz
 -ISOLATION VOLTAGE: 2250VDC (MAX) FOR 60 SECONDS WITH A RISE TIME OF 500V/SEC AND WITH ALL PORTS CONNECTED
4. OPERATING TEMPERATURE FROM 0°C TO +70°C
- 5 THE LED WITH 250 OHM RESISTORS LED IS DRIVEN WITH 5V VOLTAGE AND THE MAX OPERATING CURRENT IS 20mA LED COLOR :
 DOMINANT WAVELENGTH (LD): GREEN 568 nm TYP. AT VF=5V
 FORWARD CURRENT (IF): GREEN 12 mA TYP. AT VF=5V
 DOMINANT WAVELENGTH (LD): YELLOW 588 nm TYP. AT VF=5V
 FORWARD CURRENT (IF): YELLOW 13 mA TYP. AT VF=5V
- 6 INDICATED CONNECTIONS ARE FOR A HUB CONFIGURATION. THE MAGNETICS ARE SYMMETRICAL AND SUPPORT AUTO-HDIX
- 7 TRP CONNECTOR LOGO, PART NUMBER, DATE CODE, COUNTRY OF ORIGIN AND AGENCY APPROVAL MARKING IN APPROXIMATE LOCATION AS SHOWN
8. THE PART IS RECOMMENDED FOR WAVE SOLDERING PROCESS PEAK WAVE SOLDERING TEMPERATURE IS 265°C MAX, 10 SECONDS MAX.

DIMENSIONS:		UNIT	MIN	MAX
0	R/C	±	-	-
1	R/C	±	0.010	-
2	R/C	±	0.010	-
3	R/C	±	0.005	-
4	R/C	±	0.005	-
5	ANGLES	±	-	-
6	APPLICATION SPEC	±	-	-

PRODUCT SPEC	108-2100
THIS DRAWING IS A CONTROLLED DOCUMENT.	
DESIGNER: G. ATTABIA - DOCKS	
DATE: 15MAR2015	
CHK: FABRIQUE	
DATE: 15MAR2015	
DESIGNER: D. FAROLE	
DATE: 15MAR2015	
MODEL NAME: MACJACK GANG	
NON-POE	
SIZE: A1	
DATE CODE: 1X2 766 10/100 TAB UP W/ LED	
DESIGN NO: 6610156	
SCALE: NTS	
SHEET: 1 OF 2	
REV: G	

PRODUCT SPEC	108-2100
THIS DRAWING IS A CONTROLLED DOCUMENT.	
DESIGNER: G. ATTABIA - DOCKS	
DATE: 15MAR2015	
CHK: FABRIQUE	
DATE: 15MAR2015	
DESIGNER: D. FAROLE	
DATE: 15MAR2015	
MODEL NAME: MACJACK GANG	
NON-POE	
SIZE: A1	
DATE CODE: 1X2 766 10/100 TAB UP W/ LED	
DESIGN NO: 6610156	
SCALE: NTS	
SHEET: 1 OF 2	
REV: G	

PRODUCT SPEC	108-2100
THIS DRAWING IS A CONTROLLED DOCUMENT.	
DESIGNER: G. ATTABIA - DOCKS	
DATE: 15MAR2015	
CHK: FABRIQUE	
DATE: 15MAR2015	
DESIGNER: D. FAROLE	
DATE: 15MAR2015	
MODEL NAME: MACJACK GANG	
NON-POE	
SIZE: A1	
DATE CODE: 1X2 766 10/100 TAB UP W/ LED	
DESIGN NO: 6610156	
SCALE: NTS	
SHEET: 1 OF 2	
REV: G	

PRODUCT SPEC	108-2100
THIS DRAWING IS A CONTROLLED DOCUMENT.	
DESIGNER: G. ATTABIA - DOCKS	
DATE: 15MAR2015	
CHK: FABRIQUE	
DATE: 15MAR2015	
DESIGNER: D. FAROLE	
DATE: 15MAR2015	
MODEL NAME: MACJACK GANG	
NON-POE	
SIZE: A1	
DATE CODE: 1X2 766 10/100 TAB UP W/ LED	
DESIGN NO: 6610156	
SCALE: NTS	
SHEET: 1 OF 2	
REV: G	

PRODUCT SPEC	108-2100
THIS DRAWING IS A CONTROLLED DOCUMENT.	
DESIGNER: G. ATTABIA - DOCKS	
DATE: 15MAR2015	
CHK: FABRIQUE	
DATE: 15MAR2015	
DESIGNER: D. FAROLE	
DATE: 15MAR2015	
MODEL NAME: MACJACK GANG	
NON-POE	
SIZE: A1	
DATE CODE: 1X2 766 10/100 TAB UP W/ LED	
DESIGN NO: 6610156	
SCALE: NTS	
SHEET: 1 OF 2	
REV: G	

PRODUCT SPEC	108-2100
THIS DRAWING IS A CONTROLLED DOCUMENT.	
DESIGNER: G. ATTABIA - DOCKS	
DATE: 15MAR2015	
CHK: FABRIQUE	
DATE: 15MAR2015	
DESIGNER: D. FAROLE	
DATE: 15MAR2015	
MODEL NAME: MACJACK GANG	
NON-POE	
SIZE: A1	
DATE CODE: 1X2 766 10/100 TAB UP W/ LED	
DESIGN NO: 6610156	
SCALE: NTS	
SHEET: 1 OF 2	
REV: G	

PRODUCT SPEC	108-2100
THIS DRAWING IS A CONTROLLED DOCUMENT.	
DESIGNER: G. ATTABIA - DOCKS	
DATE: 15MAR2015	
CHK: FABRIQUE	
DATE: 15MAR2015	
DESIGNER: D. FAROLE	
DATE: 15MAR2015	
MODEL NAME: MACJACK GANG	
NON-POE	
SIZE: A1	
DATE CODE: 1X2 766 10/100 TAB UP W/ LED	
DESIGN NO: 6610156	
SCALE: NTS	
SHEET: 1 OF 2	
REV: G	

PRODUCT SPEC	108-2100
THIS DRAWING IS A CONTROLLED DOCUMENT.	
DESIGNER: G. ATTABIA - DOCKS	
DATE: 15MAR2015	
CHK: FABRIQUE	
DATE: 15MAR2015	
DESIGNER: D. FAROLE	
DATE: 15MAR2015	
MODEL NAME: MACJACK GANG	
NON-POE	
SIZE: A1	
DATE CODE: 1X2 766 10/100 TAB UP W/ LED	
DESIGN NO: 6610156	
SCALE: NTS	
SHEET: 1 OF 2	
REV: G	

PRODUCT SPEC	108-2100
THIS DRAWING IS A CONTROLLED DOCUMENT.	
DESIGNER: G. ATTABIA - DOCKS	
DATE: 15MAR2015	
CHK: FABRIQUE	
DATE: 15MAR2015	
DESIGNER: D. FAROLE	
DATE: 15MAR2015	
MODEL NAME: MACJACK GANG	
NON-POE	
SIZE: A1	
DATE CODE: 1X2 766 10/100 TAB UP W/ LED	
DESIGN NO: 6610156	
SCALE: NTS	
SHEET: 1 OF 2	
REV: G	

PRODUCT SPEC	108-2100
THIS DRAWING IS A CONTROLLED DOCUMENT.	
DESIGNER: G. ATTABIA - DOCKS	
DATE: 15MAR2015	
CHK: FABRIQUE	
DATE: 15MAR2015	
DESIGNER: D. FAROLE	
DATE: 15MAR2015	
MODEL NAME: MACJACK GANG	
NON-POE	
SIZE: A1	
DATE CODE: 1X2 766 10/100 TAB UP W/ LED	
DESIGN NO: 6610156	
SCALE: NTS	
SHEET: 1 OF 2	
REV: G	

PRODUCT SPEC	108-2100
THIS DRAWING IS A CONTROLLED DOCUMENT.	
DESIGNER: G. ATTABIA - DOCKS	
DATE: 15MAR2015	
CHK: FABRIQUE	
DATE: 15MAR2015	
DESIGNER: D. FAROLE	
DATE: 15MAR2015	
MODEL NAME: MACJACK GANG	
NON-POE	
SIZE: A1	
DATE CODE: 1X2 766 10/100 TAB UP W/ LED	
DESIGN NO: 6610156	
SCALE: NTS	
SHEET: 1 OF 2	
REV: G	

PRODUCT SPEC	108-2100
THIS DRAWING IS A CONTROLLED DOCUMENT.	
DESIGNER: G. ATTABIA - DOCKS	
DATE: 15MAR2015	
CHK: FABRIQUE	
DATE: 15MAR2015	
DESIGNER: D. FAROLE	
DATE: 15MAR2015	
MODEL NAME: MACJACK GANG	
NON-POE	
SIZE: A1	
DATE CODE: 1X2 766 10/100 TAB UP W/ LED	
DESIGN NO: 6610156	
SCALE: NTS	
SHEET: 1 OF 2	
REV: G	

PRODUCT SPEC	108-2100
THIS DRAWING IS A CONTROLLED DOCUMENT.	
DESIGNER: G. ATTABIA - DOCKS	
DATE: 15MAR2015	
CHK: FABRIQUE	
DATE: 15MAR2015	
DESIGNER: D. FAROLE	
DATE: 15MAR2015	
MODEL NAME: MACJACK GANG	
NON-POE	
SIZE: A1	
DATE CODE: 1X2 766 10/100 TAB UP W/ LED	
DESIGN NO: 6610156	
SCALE: NTS	
SHEET: 1 OF 2	
REV: G	

PRODUCT SPEC	108-2100
THIS DRAWING IS A CONTROLLED DOCUMENT.	
DESIGNER: G. ATTABIA - DOCKS	
DATE: 15MAR2015	
CHK: FABRIQUE	
DATE: 15MAR2015	
DESIGNER: D. FAROLE	
DATE: 15MAR2015	
MODEL NAME: MACJACK GANG	
NON-POE	
SIZE: A1	
DATE CODE: 1X2 766 10/100 TAB UP W/ LED	
DESIGN NO: 6610156	
SCALE: NTS	
SHEET: 1 OF 2	
REV: G	

PRODUCT SPEC	108-2100
THIS DRAWING IS A CONTROLLED DOCUMENT.	
DESIGNER: G. ATTABIA - DOCKS	
DATE: 15MAR2015	
CHK: FABRIQUE	
DATE: 15MAR2015	
DESIGNER: D. FAROLE	
DATE: 15MAR2015	
MODEL NAME: MACJACK GANG	
NON-POE	
SIZE: A1	
DATE CODE: 1X2 766 10/100 TAB UP W/ LED	
DESIGN NO: 6610156	
SCALE: NTS	
SHEET: 1 OF 2	
REV: G	

PRODUCT SPEC	108-2100
THIS DRAWING IS A CONTROLLED DOCUMENT.	
DESIGNER: G. ATTABIA - DOCKS	
DATE: 15MAR2015	
CHK: FABRIQUE	
DATE: 15MAR2015	
DESIGNER: D. FAROLE	
DATE: 15MAR2015	
MODEL NAME: MACJACK GANG	
NON-POE	
SIZE: A1	
DATE CODE: 1X2 766 10/100 TAB UP W/ LED	
DESIGN NO: 6610156	
SCALE: NTS	
SHEET: 1 OF 2	
REV: G	

PRODUCT SPEC	108-2100
THIS DRAWING IS A CONTROLLED DOCUMENT.	
DESIGNER: G. ATTABIA - DOCKS	
DATE: 15MAR2015	
CHK: FABRIQUE	
DATE: 15MAR2015	
DESIGNER: D. FAROLE	
DATE: 15MAR2015	
MODEL NAME: MACJACK GANG	
NON-POE	
SIZE: A1	
DATE CODE: 1X2 766 10/100 TAB UP W/ LED	
DESIGN NO: 6610156	
SCALE: NTS	
SHEET: 1 OF 2	
REV: G	

PRODUCT SPEC	108-2100
THIS DRAWING IS A CONTROLLED DOCUMENT.	
DESIGNER: G. ATTABIA - DOCKS	
DATE: 15MAR2015	
CHK: FABRIQUE	
DATE: 15MAR2015	
DESIGNER: D. FAROLE	
DATE: 15MAR2015	
MODEL NAME: MACJACK GANG	
NON-POE	
SIZE: A1	
DATE CODE: 1X2 766 10/100 TAB UP W/ LED	
DESIGN NO: 6610156	
SCALE: NTS	
SHEET: 1 OF 2	
REV: G	

PRODUCT SPEC	108-2100
THIS DRAWING IS A CONTROLLED DOCUMENT.	
DESIGNER: G. ATTABIA - DOCKS	
DATE: 15MAR2015	
CHK: FABRIQUE	
DATE: 15MAR2015	
DESIGNER: D. FAROLE	
DATE: 15MAR2015	
MODEL NAME: MACJACK GANG	
NON-POE	
SIZE: A1	
DATE CODE: 1X2 766 10/100 TAB UP W/ LED	
DESIGN NO: 6610156	
SCALE: NTS	
SHEET: 1 OF 2	
REV: G	

PRODUCT SPEC	108-2100
THIS DRAWING IS A CONTROLLED DOCUMENT.	
DESIGNER: G. ATTABIA - DOCKS	
DATE: 15MAR2015	
CHK: FABRIQUE	
DATE: 15MAR2015	
DESIGNER: D. FAROLE	
DATE: 15MAR2015	
MODEL NAME: MACJACK GANG	
NON-POE	
SIZE: A1	
DATE CODE: 1X2 766 10/100 TAB UP W/ LED	
DESIGN NO: 6610156	
SCALE: NTS	
SHEET: 1 OF 2	
REV: G	

PRODUCT SPEC	108-2100
THIS DRAWING IS A CONTROLLED DOCUMENT.	
DESIGNER: G. ATTABIA - DOCKS	
DATE: 15MAR2015	
CHK: FABRIQUE	
DATE: 15MAR2015	
DESIGNER: D. FAROLE	
DATE: 15MAR2015	
MODEL NAME: MACJACK GANG	
NON-POE	
SIZE: A1	
DATE CODE: 1X2 766 10/100 TAB UP W/ LED	
DESIGN NO: 6610156	
SCALE: NTS	
SHEET: 1 OF 2	
REV: G	

PRODUCT SPEC	108-2100
THIS DRAWING IS A CONTROLLED DOCUMENT.	
DESIGNER: G. ATTABIA - DOCKS	
DATE: 15MAR2015	
CHK: FABRIQUE	
DATE: 15MAR2015	

