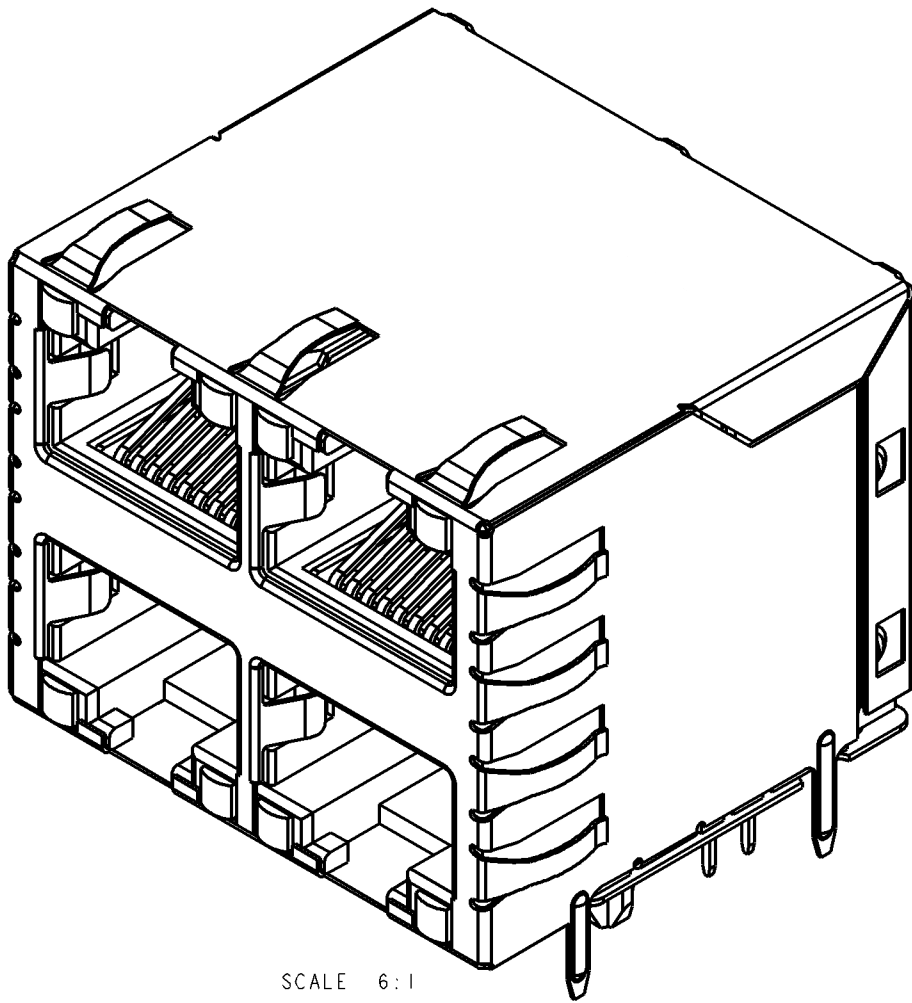
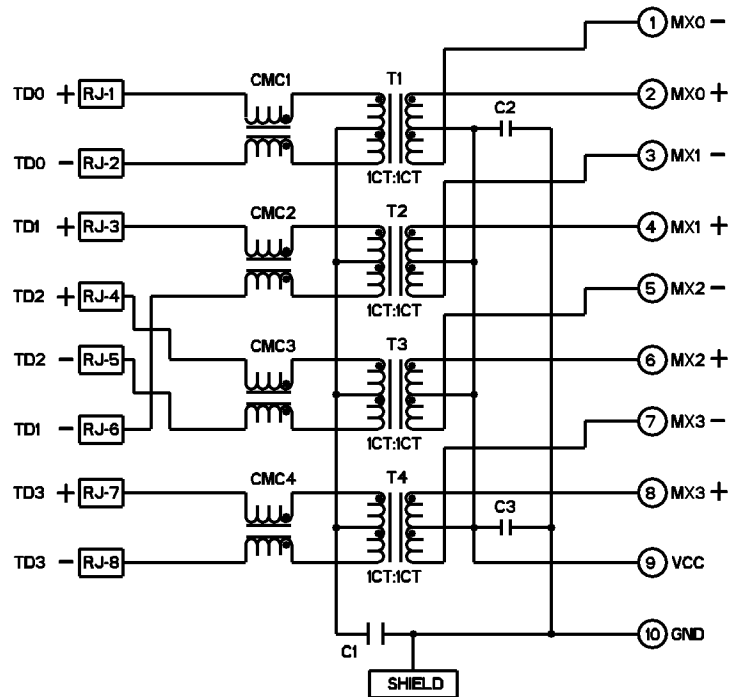


THIS DRAWING IS UNPUBLISHED. RELEASED FOR PUBLICATION. COPYRIGHT 20 BY TE CONNECTIVITY CORPORATION. ALL RIGHTS RESERVED.



SCALE 6:1

S8G17 SERIES GIGABIT CIRCUIT



C1 = 1000 pF, 2kV, X7R DECOUPLING CAP
 C2 - C3 = 50V, 470pF, ±10%, X7R CAPACITORS

- 1. MATERIALS
 FLAMMABIL
 SHIELD: B
 POST DIPP
 CONTACTS:
 UNDERPLAT
 AND 1.27um
 LED: DIFF
 LEADS PRE
 UNDERPLAT
 2.54um MI
- 2. MAGNETICS
 APPLICAT
 IMPEDANC
 TURNS RA
 OPEN CIR
 8mADC
 ALL FOUR
 PERFORMA
 INS
 RET
- 3. PART NUMBE
 DATE CODE
- 4. AGENCY APP
 TO BE LOC
- 5. MAX OPERA
- 6. RJ45 CAVI
 REGULATIO
- 7. LED'S COM
 PRODUCTS
- 8. DATUM AND
- 9. BASIC DIME
 CUSTOMER,
- 10. THESE PAR
 PEAK SOLD

THIS DRAWING IS UNPUBLISHED. RELEASED FOR PUBLICATION.
 COPYRIGHT 20 BY TE CONNECTIVITY CORPORATION. ALL RIGHTS RESERVED.

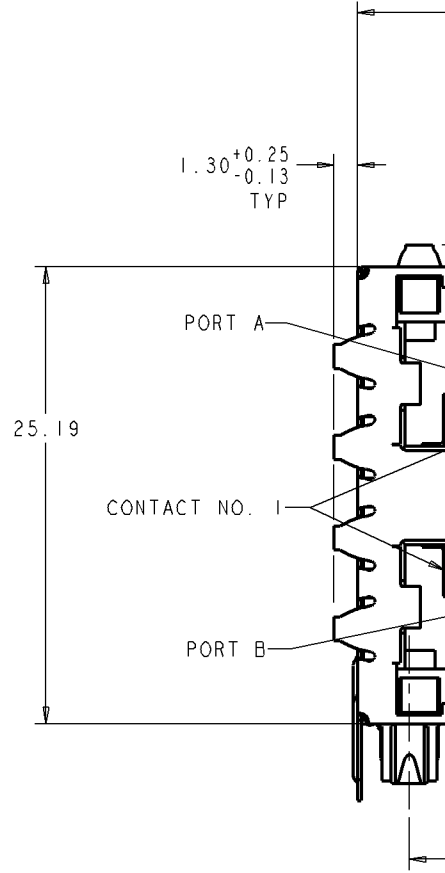
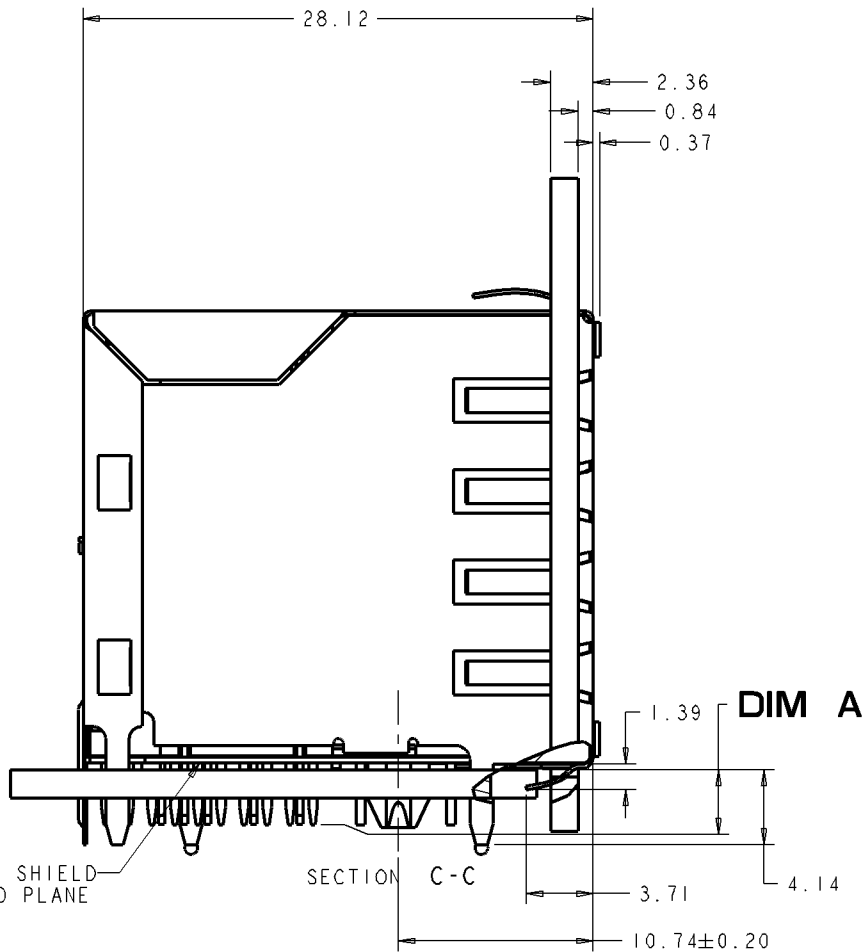


D

C

B

A



SIDE VIEW SHOWN WITH
 PANEL AND PCB
 FOR LOCATION

