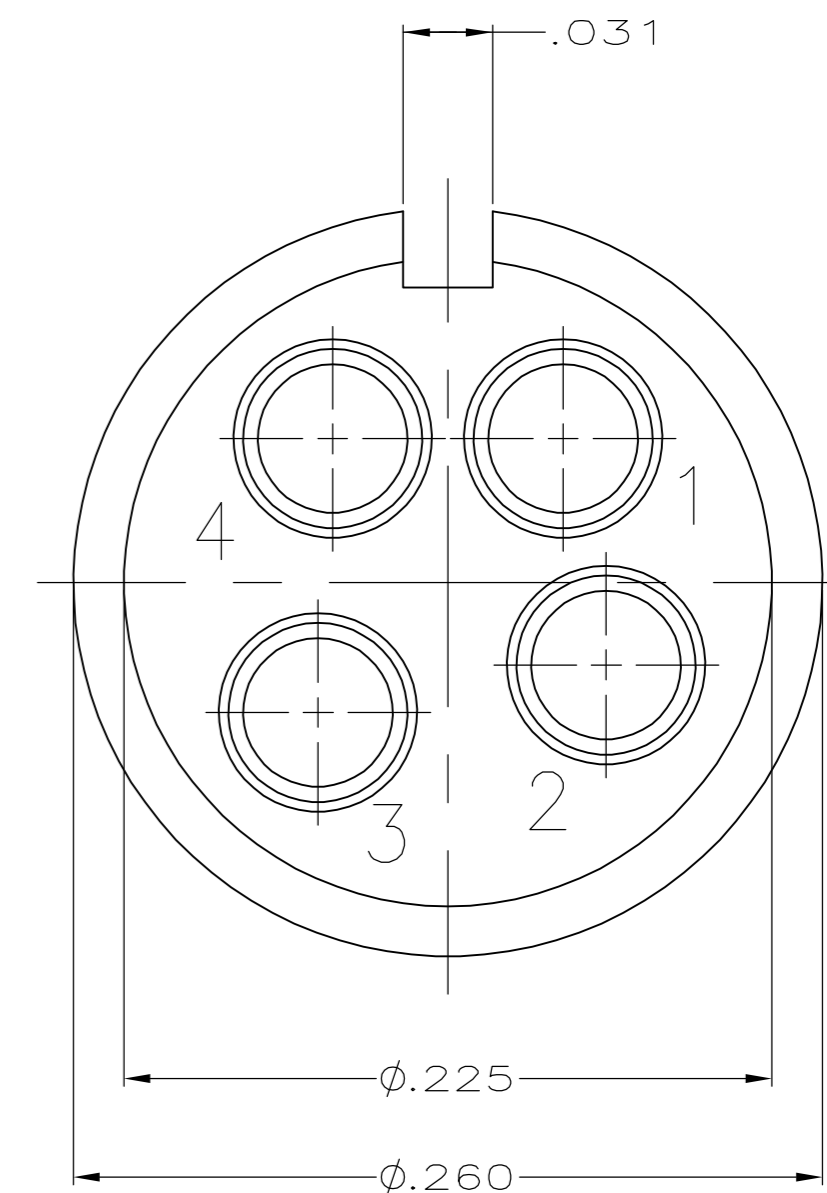
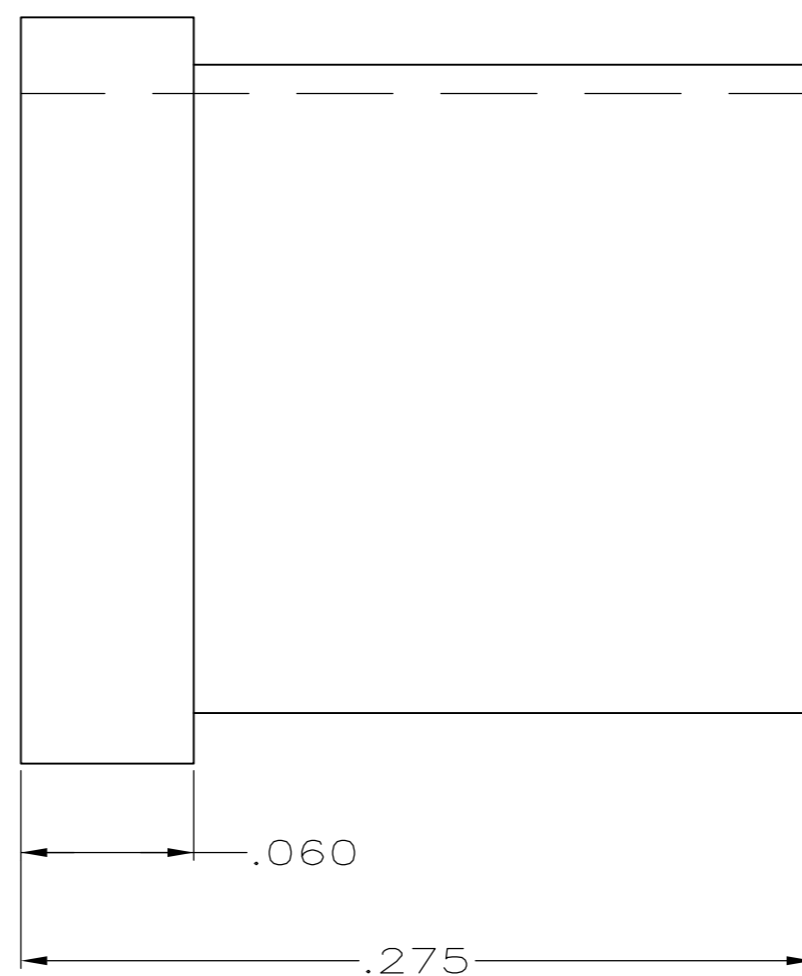
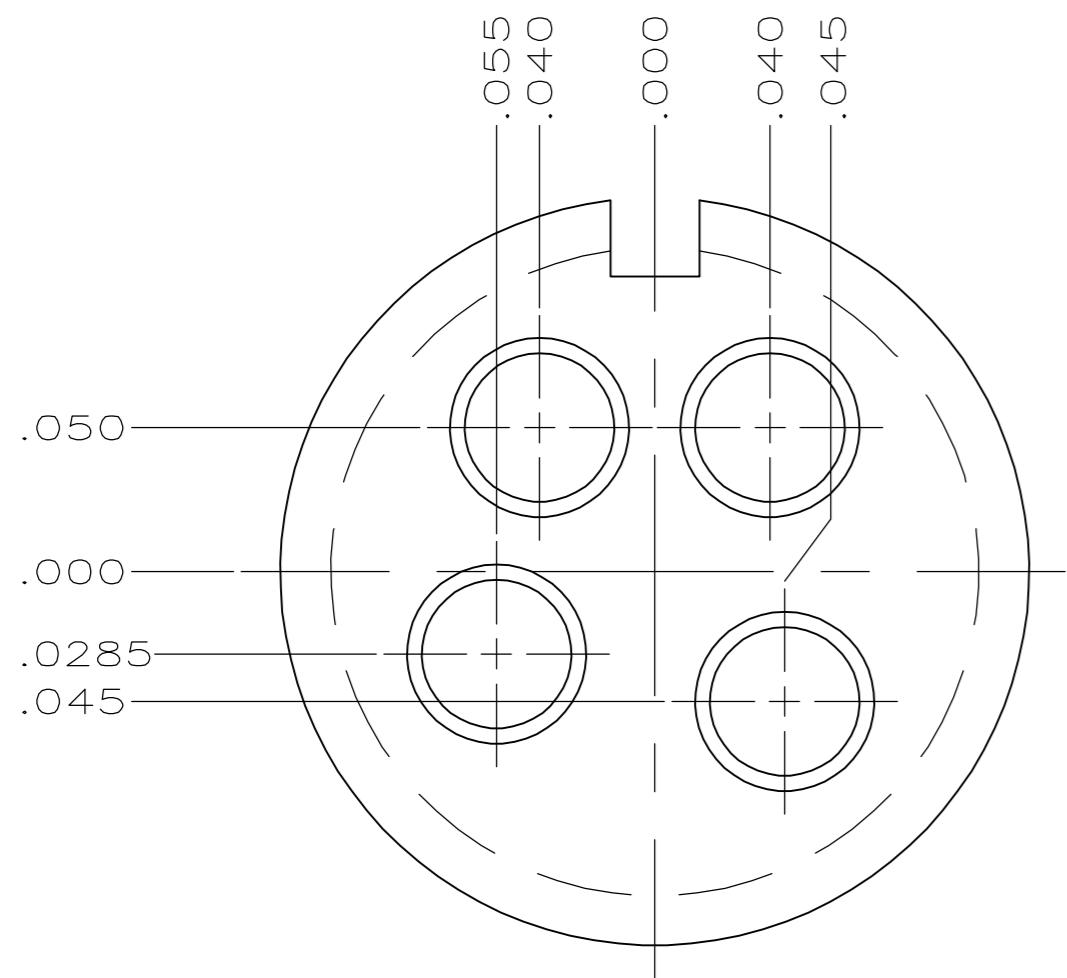


THIS DRAWING IS UNPUBLISHED. RELEASED FOR PUBLICATION
 © COPYRIGHT BY TYCO ELECTRONICS CORPORATION. ALL RIGHTS RESERVED.

LOC		DIST		REVISIONS			
P	LTR	DESCRIPTION		DATE	DWN	APVD	
	A	RELEASED		10-3-06	CT	RG	



1. MAT'L: DIALLYL PHTHALATE PER MIL-M-14F, TYPE SDG-F.
 COLOR: GREEN

2-588513-6
 PART NUMBER

THIS DRAWING IS A CONTROLLED DOCUMENT.		DWN	C.C.THOMAS	10-3-06	AMP Tyco Electronics Corporation Harrisburg, PA 17105-3608		
DIMENSIONS: INCHES		CHK	R.GROSS	10-3-06			
TOLERANCES UNLESS OTHERWISE SPECIFIED:		APVD	R.GROSS	10-3-06	NAME PIN INSULATOR,SPECIAL,4 POSN.		
0 PLC ± -		PRODUCT SPEC		SIZE A2			
1 PLC ± -		APPLICATION SPEC		CAGE CODE 00779		DRAWING NO C=588513	
2 PLC ± -		WEIGHT		RESTRICTED TO		-	
3 PLC ± .005		CUSTOMER DRAWING		SCALE 15:1		SHEET 1 of 1	
4 PLC ± -		FINISH		REV A			
ANGLES ± -							
MATERIAL							