

TE CONNECTIVITY (TE)
A/L UNIV HDR 26P VERT SHT LAT BLUE
 AMP-LATCH | Universal Headers

2-5499160-6
 TE Internal Number: 2-5499160-6

Always EU RoHS/ELV Compliant

Centerline **2.54 mm [.1 in]**

PCB Mount Retention **Without**

PCB Mounting Orientation **Vertical**

Termination Method to PC Board **Through Hole**

Shrouded **Yes**
[See All Features](#)

[Feedback](#)

- Active
- [PRODUCT DRAWING](#)
English
- [3D PDF](#)
- [See All Documentation](#)

North America

[GET SAMPLE](#)

[SAVE TO LIST](#)


[About TE Connectivity](#) |
 [For Partners](#) |
 [Customer Support](#) |
 [CALL US](#) |
 [LIVE CHAT](#) |
 [United States](#)

- Our Company
- Events
- TE News Center
- Careers
- Investors
- Corporate Responsibility
- Terms and Conditions of Sale

- Distributors
- Suppliers

- Call
- Email
- Find Authorized Distributors
- Access Product Tools & Resources
- Share Feedback



CAD Files

Customer View Model

2D_DXF.ZIP
 English

Customer View Model

3D_IGS.ZIP
 English

Customer View Model

3D_STP.ZIP
 English

3D PDF

PDF
 English

Product Specifications

Product Specification

AMP-LATCH And IDC Header Connectors, .100 X .100 Inch Grid

PDF
 English

COMPATIBLE

Products - 10 Results

[View All](#)
[Compare 0/10](#)

Relation Type

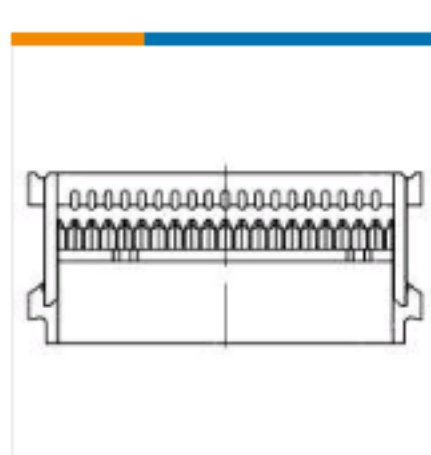
RELATIONSHIP

Mating Products

Used to identify Mating Parts

[See All Mating Products](#)

PRODUCT - MATING PRODUCTS



Connectors - Ribbon Cable Connectors
 AMP-LATCH - NOVO

**609-2630LF FEM SOCKET,
 LEAD FREE - 1-1658526-5**

TE INTERNAL NUMBER: 1-1658526-5

Active

Always EU RoHS/ELV Compliant

Number of Positions **26**

Connector Style **Receptacle**

Quick View

RELATIONSHIP

Mating Products

Used to identify Mating Parts

[See All Mating Products](#)

PRODUCT - MATING PRODUCTS



Connectors - Ribbon Cable Connectors
 AMP-LATCH | AMP-LATCH - NOVO

**26 NOVO MIL 30DP,
 LEAD FREE - 1658623-6**

TE INTERNAL NUMBER: 1658623-6

Active

Always EU RoHS/ELV Compliant

Centerline **2.54 mm**

PCB Mount Retention **Without**

PCB Mounting Orientation **Vertical**

Termination Method to PC Board

Through Hole - Solder

Termination Method to Wire/Cable

Insulation Displacement Crimp

(IDC)

Quick View

RELATIONSHIP

Mating Products

Used to identify Mating Parts

[See All Mating Products](#)

PRODUCT - MATING PRODUCTS



Connectors - Ribbon Cable Connectors
 AMP-LATCH | AMP-LATCH - NOVO

**26 NOVO DUAL 30DP,
 LEAD FREE - 1658624-6**

TE INTERNAL NUMBER: 1658624-6

Active

Always EU RoHS/ELV Compliant

Centerline **2.54 mm**

PCB Mount Retention **Without**

PCB Mounting Orientation **Vertical**

Termination Method to PC Board

Through Hole - Solder

Termination Method to Wire/Cable

Insulation Displacement Crimp

(IDC)

Quick View