

2-5499141-2 ✓ ACTIVE

[AMP-LATCH](#) | [AMP-LATCH Universal Headers](#)

TE Internal #: 2-5499141-2

AMP-LATCH Universal Headers, Ribbon Cable Connectors, Wire-to-Board, 14 Position, 2.54mm [.1in] Centerline, Right Angle, Through Hole - Solder

[View on TE.com >](#)



Connectors > PCB Connectors > Wire-to-Board Connectors > FFC, FPC & Ribbon Connectors > Ribbon Cable Connectors



Connector System: **Wire-to-Board**

Number of Positions: **14**

Centerline (Pitch): **2.54 mm [.1 in]**

PCB Mount Retention: **Without**

PCB Mount Orientation: **Right Angle**

## Features

### Product Type Features

Connector Type	Header
Ribbon Cable Connector Header Type	Universal Ejection Pin Headers
Connector Mating Latch & Lock Type	Long
Connector Product Type	Connector Assembly
Connector System	Wire-to-Board
Connector & Housing Type	Plug
Connector & Contact Terminates To	Printed Circuit Board

### Configuration Features

Number of Positions	14
PCB Mount Orientation	Right Angle
Number of Rows	2

### Electrical Characteristics

Insulation Resistance	5000 MΩ
Operating Voltage	250 VAC

### Body Features

Connector Profile	Standard
-------------------	----------

### Contact Features

Mating Square Post Dimension	.64 mm[.025 in]
------------------------------	-----------------



PCB Contact Termination Area Plating Material Thickness	2.54 $\mu\text{m}$ [100 $\mu\text{in}$ ]
Contact Type	Pin
Contact Mating Area Plating Material Thickness	.76 $\mu\text{m}$ [30 – 30 $\mu\text{in}$ ]
Contact Mating Area Plating Material	Gold
Contact Shape & Form	Square
PCB Contact Termination Area Plating Material	Tin
Contact Base Material	Phosphor Bronze
Contact Current Rating (Max)	1 A

### Termination Features

Round Termination Post & Tail Diameter	.64 mm[.025 in]
Termination Post & Tail Length	2.79 mm[.11 in]
Termination Method to Printed Circuit Board	Through Hole - Solder

### Mechanical Attachment

Mating Alignment	With
PCB Mount Alignment	Without
Panel Mount Feature	Without
PCB Mount Retention	Without
Mating Alignment Type	Center
Mating Retention	With
Mating Retention Type	Ejection Latch
Connector Mounting Type	Board Mount

### Housing Features

Housing Material	Glass Filled Nylon/Polyester
Housing Color	Blue
Centerline (Pitch)	2.54 mm[.1 in]

### Dimensions

Shrouded End Dimension	3.81 mm[.15 in]
Connector Length	37.08 mm[1.46 in]
Connector Height	13.94 mm[.548 in]
Row-to-Row Spacing	2.54 mm[.1 in]

### Usage Conditions

Housing Temperature Rating	Standard
----------------------------	----------



Operating Temperature Range -65 – 105 °C[-85 – 221 °F]

**Operation/Application**

Circuit Application	Signal
---------------------	--------

**Industry Standards**

UL Flammability Rating	UL 94V-0
------------------------	----------

**Packaging Features**

Packaging Quantity	24
Packaging Method	Tray

**Other**

Comment	Mates with Receptacles
---------	------------------------

**Product Compliance**

[For compliance documentation, visit the product page on TE.com>](#)

EU RoHS Directive 2011/65/EU	Compliant
EU ELV Directive 2000/53/EC	Compliant
China RoHS 2 Directive MIIT Order No 32, 2016	No Restricted Materials Above Threshold
EU REACH Regulation (EC) No. 1907/2006	Current ECHA Candidate List: JAN 2020 (205) Candidate List Declared Against: JAN 2020 (205) Does not contain REACH SVHC
EU REACH Regulation (EC) No. 1907/2006	Current ECHA Candidate List: JAN 2020 (205) Candidate List Declared Against: JAN 2020 (205)
Halogen Content	Not Low Halogen - contains Br or Cl > 900 ppm.
Solder Process Capability	Wave solder capable to 265°C

Product Compliance Disclaimer

This information is provided based on reasonable inquiry of our suppliers and represents our current actual knowledge based on the information they provided. This information is subject to change. The part numbers that TE has identified as EU RoHS compliant have a maximum concentration of 0.1% by weight in homogenous materials for lead, hexavalent chromium, mercury, PBB, PBDE, DBP, BBP, DEHP, DIBP, and 0.01% for cadmium, or qualify for an exemption to these limits as defined in the Annexes of Directive 2011/65/EU (RoHS2). Finished electrical and electronic equipment products will be CE marked as required by Directive 2011/65/EU. Components may not be CE marked. Additionally, the part numbers that TE has identified as EU ELV compliant have a maximum concentration of 0.1% by weight in homogenous materials for lead, hexavalent chromium, and mercury, and 0.01% for cadmium, or qualify for an exemption to these limits as defined in the Annexes of Directive 2000/53/EC (ELV). Regarding the REACH Regulations, TE's information on SVHC in articles for this part number is still based on the European Chemical Agency (ECHA) 'Guidance on requirements for substances in articles'(Version: 2, April 2011), applying the 0.1% weight on weight concentration threshold at the finished

product level. TE is aware of the European Court of Justice ruling of September 10th, 2015 also known as O5A (Once An Article Always An Article) stating that, in case of 'complex object', the threshold for a SVHC must be applied to both the product as a whole and simultaneously to each of the articles forming part of its composition. TE has evaluated this ruling based on the new ECHA "Guidance on requirements for substances in articles" (June 2017, version 4.0) and will be updating its statements accordingly.

## Compatible Parts



TE Model / Part # 2-1658527-2  
622-1441LF=FSKT IDC S 14 30AU



TE Model / Part # 1658526-8  
609-1430LF FEM SOCKET, LEAD FREE



TE Model / Part # 1658620-2  
14 NOVO MIL 15DP, LEAD FREE



TE Model / Part # 1658621-2  
14 NOVO MIL/CTR 15DP, LEAD FREE



TE Model / Part # 1658526-9  
609-1441LF FEM SOCKET, LEAD FREE



TE Model / Part # 1658623-2  
14 NOVO MIL 30DP, LEAD FREE



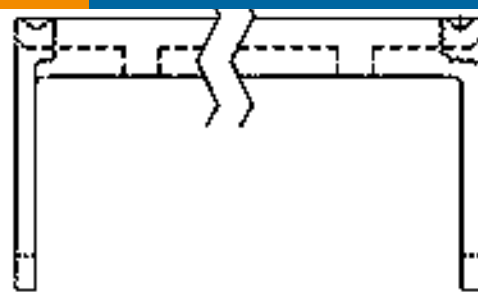
TE Model / Part # 499252-9  
014 STRAIN RELIEF A-L RCPT



TE Model / Part # 1658622-2  
14 NOVO MIL/CTR 30DP, LEAD FREE



TE Model / Part # 1658527-5  
622-1430LF FEM SOCKET, LEAD FREE



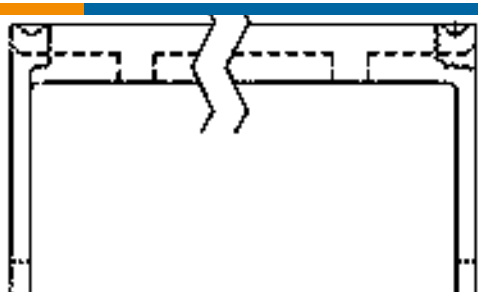
TE Model / Part # 5-1437020-1  
609-1431HD=FSKT IDC S 14 SR



TE Model / Part # 1658624-2  
014 NOVO DUAL 30DP FT



TE Model / Part # 1-1658528-2  
636-1430LF=FEM SKT BLADE POL 1



TE Model / Part # 7-1437023-1  
622-1431=FSKT IDC S 14 SR

Also in the Series | **AMP-LATCH Universal Headers**

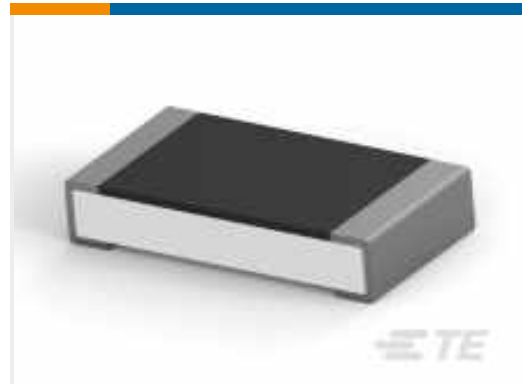


Ribbon Cable Connectors(525)



Ribbon Connector Accessories(14)

## Customers Also Bought

TE Model / Part #2-2176388-0  
RQ 1206 15R8 0.1% 10PPM 5K RLTE Model / Part #3-2176389-7  
RQ 1206 255R 0.1% 10PPM 5K RLTE Model / Part #1617105-5  
MW6HP-18P = HIGH PERFORMANCE  
MTE Model / Part #2-1879138-9  
RN 0603 3K16 0.1% 10PPM 5K RLTE Model / Part #1-1969590-5  
HSG, REC, PANEL MOUNT, SINGLE  
ROW, EP2.5TE Model / Part #1-1986720-0  
STR PLUG SPRING TYPE RH 10P, 3.81  
mmTE Model / Part #2-2319747-8  
TRI-STATE DIP 8P G RECESS SEAL  
T&RTE Model / Part #2319747-5  
TRI-STATE DIP 10P G RAISED TUBE  
T&R

## Documents

### Product Drawings

[A/L UNIV HDR 14P RA LG LAT BLUE](#)

English

### CAD Files

[3D PDF](#)

3D

Customer View Model

[ENG\\_CVM\\_CVM\\_2-5499141-2\\_C.2d\\_dxf.zip](#)

English

Customer View Model

[ENG\\_CVM\\_CVM\\_2-5499141-2\\_C.3d\\_igs.zip](#)

English

Customer View Model

[ENG\\_CVM\\_CVM\\_2-5499141-2\\_C.3d\\_stp.zip](#)

English

By downloading the CAD file I accept and agree to the [Terms and Conditions](#) of use.



---

## Product Specifications

### Product Specification

English

---

## Product Environmental Compliance

### TE Material Declaration

English

---

## Agency Approvals

### UL Report

English