

2-323745-6 ✓ ACTIVE

TE Internal #: 2-323745-6

Closed Ring Tongue Terminal, 12 – 10 AWG, M4 Stud Size, 4.34 mm [.171 in] Stud Diameter, Closed Barrel, Straight, Nickel, Uninsulated

[View on TE.com >](#)



Terminals & Splices > Ring Terminals



Ring Terminal Product Type: **Closed Ring Tongue Terminal**

Wire Size: **5180 – 13100 CMA**

Stud Size: **M4**

## Features

### Product Type Features

Ring Terminal Product Type	Closed Ring Tongue Terminal
Stud Size	M4
Sealable	No
Wire Insulation Support Retention Type	Non-Insulation Support

### Contact Features

Barrel Type	Closed
Terminal Orientation	Straight
Terminal Plating Material	Nickel
Contact Underplating Material	None

### Dimensions

Wire Size	5180 – 13100 CMA
Stud Diameter	4.34 mm [.171 in]
Tongue Thickness	.99 mm [.039 in]
Product Length	18.77 mm [.739 in]
Barrel Inside Diameter	3.28 mm [.129 in]

### Usage Conditions

Insulation Option	Uninsulated
Operating Temperature Range	649 °C[1200 °F]

### Packaging Features

Packaging Method	Tape & Reel
------------------	-------------

### Product Compliance


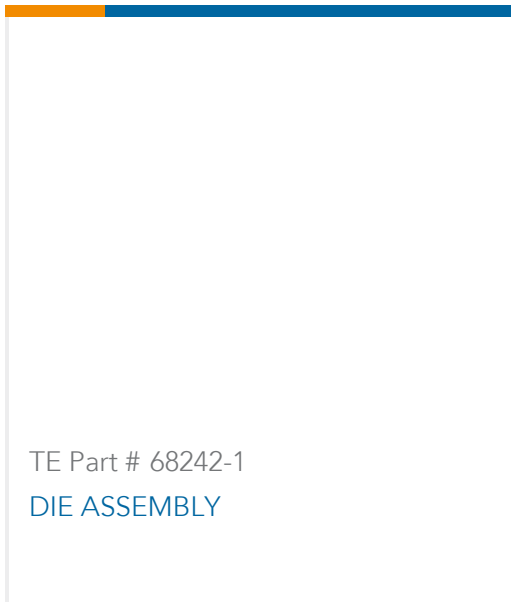
[For compliance documentation, visit the product page on TE.com>](#)

EU RoHS Directive 2011/65/EU	Compliant
EU ELV Directive 2000/53/EC	Compliant
China RoHS 2 Directive MIIT Order No 32, 2016	No Restricted Materials Above Threshold
EU REACH Regulation (EC) No. 1907/2006	Current ECHA Candidate List: JUNE 2024 (241) Candidate List Declared Against: JAN 2024 (240) Does not contain REACH SVHC
Halogen Content	Low Halogen - Br, Cl, F, I < 900 ppm per homogenous material. Also BFR/CFR/PVC Free
Solder Process Capability	Not applicable for solder process capability

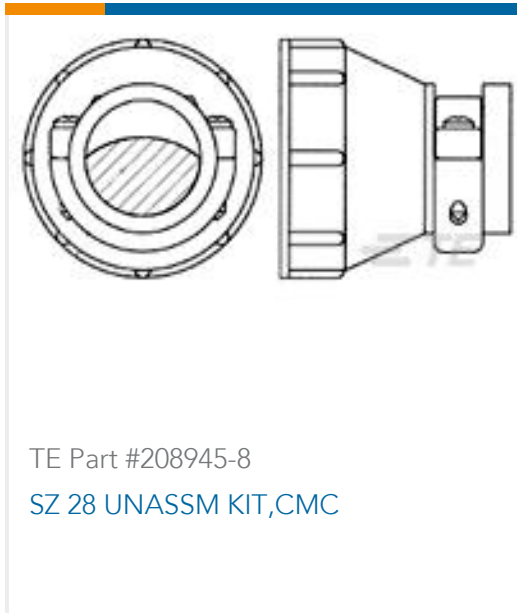
#### Product Compliance Disclaimer

This information is provided based on reasonable inquiry of our suppliers and represents our current actual knowledge based on the information they provided. This information is subject to change. The part numbers that TE has identified as EU RoHS compliant have a maximum concentration of 0.1% by weight in homogenous materials for lead, hexavalent chromium, mercury, PBB, PBDE, DBP, BBP, DEHP, DIBP, and 0.01% for cadmium, or qualify for an exemption to these limits as defined in the Annexes of Directive 2011/65/EU (RoHS2). Finished electrical and electronic equipment products will be CE marked as required by Directive 2011/65/EU. Components may not be CE marked. Additionally, the part numbers that TE has identified as EU ELV compliant have a maximum concentration of 0.1% by weight in homogenous materials for lead, hexavalent chromium, and mercury, and 0.01% for cadmium, or qualify for an exemption to these limits as defined in the Annexes of Directive 2000/53/EC (ELV). Regarding the REACH Regulation, the information TE provides on SVHC in articles for this part number is based on the latest European Chemicals Agency (ECHA) 'Guidance on requirements for substances in articles' posted at this URL: <https://echa.europa.eu/guidance-documents/guidance-on-reach>

### Compatible Parts

 <p>TE Part # 1213742-1 INSERT,STRIPPER</p>	 <p>TE Part # 68242-1 DIE ASSEMBLY</p>
--	--

## Customers Also Bought



## Documents

### Product Drawings

[TERM SOLIS R HT 12-10 M4\(#8\) TAPE](#)

English

### CAD Files

[3D PDF](#)

3D

Customer View Model

[ENG\\_CVM\\_CVM\\_2-323745-6\\_V\\_c-2-323745-6-v.2d\\_dxf.zip](#)

English

Customer View Model

[ENG\\_CVM\\_CVM\\_2-323745-6\\_V\\_c-2-323745-6-v.3d\\_igs.zip](#)

English

Customer View Model

[ENG\\_CVM\\_CVM\\_2-323745-6\\_V\\_c-2-323745-6-v.3d\\_stp.zip](#)

English

By downloading the CAD file I accept and agree to the [Terms and Conditions](#) of use.

2-323745-6

Closed Ring Tongue Terminal, 12 – 10 AWG, M4 Stud Size, 4.34 mm [.171 in] Stud Diameter, Closed Barrel, Straight, Nickel, Uninsulated



[Product Specifications](#)

[Application Specification](#)

English