



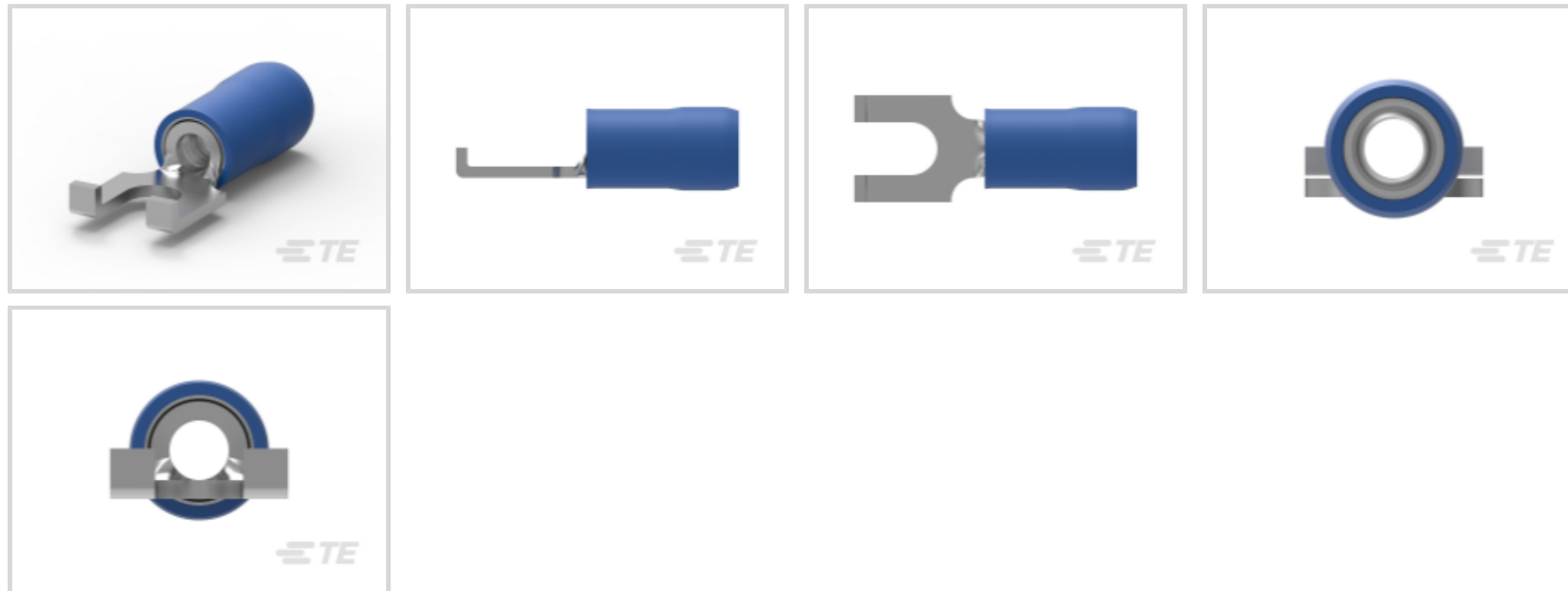
PIDG

TE Internal #: 2-320861-2

PIDG, Rings & Spades, Spade Flange Tongue, 16 – 14AWG Wire Size, 1.25 – 2mm² Wire Size, 2050 – 5180CMA Wire Size, M3.5 / #6

[View on TE.com >](#)

Terminals & Splices > Rings & Spades > PIDG FLANGED SPADE TONGUE TERMINALS



Terminal & Splice Type: **Spade Flange Tongue**

Wire Size: **2050 – 5180 CMA**

Stud Size: **#6, M3.5**

[All PIDG FLANGED SPADE TONGUE TERMINALS \(52\)](#)

Features

Product Type Features

Shape Description	SPADE-024
Stud Size	#6, M3.5
Barrel Type	Closed Barrel
Sealable	No
Insulated	Yes
Wire/Cable Type	Regular Wire
Support Style	Non - Insulation Support

Configuration Features

Terminal Angle	Straight
----------------	----------

Electrical Characteristics

Voltage (Max)	300 V
---------------	-------

Body Features

Weight per Piece	.942 g
Plating Material	Copper, Tin



Contact Features

Terminal & Splice Type	Spade Flange Tongue
Terminal Orientation	Flanged, Straight

Mechanical Attachment

Wire Insulation Support	With
-------------------------	------

Dimensions

Wire Size	2050 – 5180 CMA
Stud Diameter	3.51 mm[.138 in]
Tongue Thickness	.84 mm[.033 in]
Overall Length	18.7 mm[.737 in]
Wire Insulation Diameter (Max)	3.81 mm[.15 in]
Wire Insulation Diameter	2.67 – 3.81 mm[.105 – .15 in]

Usage Conditions

Operating Temperature Range	105 °C[221 °F]
-----------------------------	----------------

Operation/Application

Heavy Duty	No
------------	----

Industry Standards

Government Qualified	No
----------------------	----

Packaging Features

Packaging Quantity	1000
Packaging Method	Box

Product Compliance

[For compliance documentation, visit the product page on TE.com>](#)

EU RoHS Directive 2011/65/EU	Compliant
EU ELV Directive 2000/53/EC	Compliant
China RoHS 2 Directive MIIT Order No 32, 2016	No Restricted Materials Above Threshold
EU REACH Regulation (EC) No. 1907/2006	Current ECHA Candidate List: JUN 2020 (209) Candidate List Declared Against: JAN 2017 (173) Does not contain REACH SVHC
Halogen Content	Low Halogen - Br, Cl, F, I < 900 ppm per homogenous material. Also BFR/CFR/PVC

Free

Solder Process Capability

Not applicable for solder process capability

Product Compliance Disclaimer


This information is provided based on reasonable inquiry of our suppliers and represents our current actual knowledge based on the information they provided. This information is subject to change. The part numbers that TE has identified as EU RoHS compliant have a maximum concentration of 0.1% by weight in homogenous materials for lead, hexavalent chromium, mercury, PBB, PBDE, DBP, BBP, DEHP, DIBP, and 0.01% for cadmium, or qualify for an exemption to these limits as defined in the Annexes of Directive 2011/65/EU (RoHS2). Finished electrical and electronic equipment products will be CE marked as required by Directive 2011/65/EU. Components may not be CE marked. Additionally, the part numbers that TE has identified as EU ELV compliant have a maximum concentration of 0.1% by weight in homogenous materials for lead, hexavalent chromium, and mercury, and 0.01% for cadmium, or qualify for an exemption to these limits as defined in the Annexes of Directive 2000/53/EC (ELV). Regarding the REACH Regulations, TE's information on SVHC in articles for this part number is still based on the European Chemical Agency (ECHA) 'Guidance on requirements for substances in articles' (Version: 2, April 2011), applying the 0.1% weight on weight concentration threshold at the finished product level. TE is aware of the European Court of Justice ruling of September 10th, 2015 also known as O5A (Once An Article Always An Article) stating that, in case of 'complex object', the threshold for a SVHC must be applied to both the product as a whole and simultaneously to each of the articles forming part of its composition. TE has evaluated this ruling based on the new ECHA "Guidance on requirements for substances in articles" (June 2017, version 4.0) and will be updating its statements accordingly.

Compatible Parts




REPRESENTATION ONLY

TE Model / Part # 47386
DAHT PIDG 22-16 ASSY



REPRESENTATION ONLY

TE Model / Part # 47387
DAHT PIDG 16-14 ASSY



TE Model / Part # 59250
T-HD HT, PIDG 22-14



TE Model / Part # 58423-1
DIE, RBY IS9252



TE Model / Part # 58433-3
PRO CR ASSY, RBY IS9252



TE Model / Part # 59824-1
TETRA-CRIMP HT ASSY



TE Model / Part # 539691-2
ERGO DIE R.B.Y

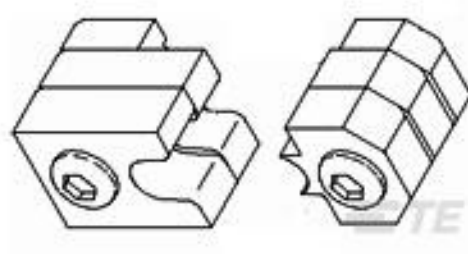


REPRESENTATION ONLY

TE Model / Part # 47387-7
16-14 PIDG D.A.H.T. ASSY .



TE Model / Part # 2063030-1
SDE DIESET, RBY, UL



TE Model / Part # 47807-1
DIE PIDG 69100 16-14



REPRESENTATION ONLY

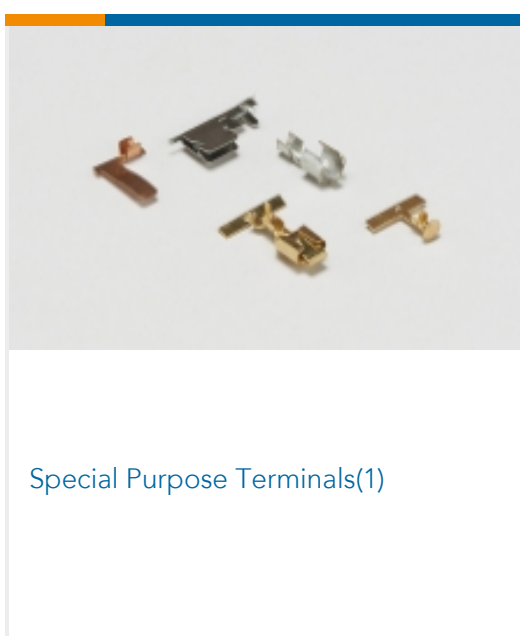
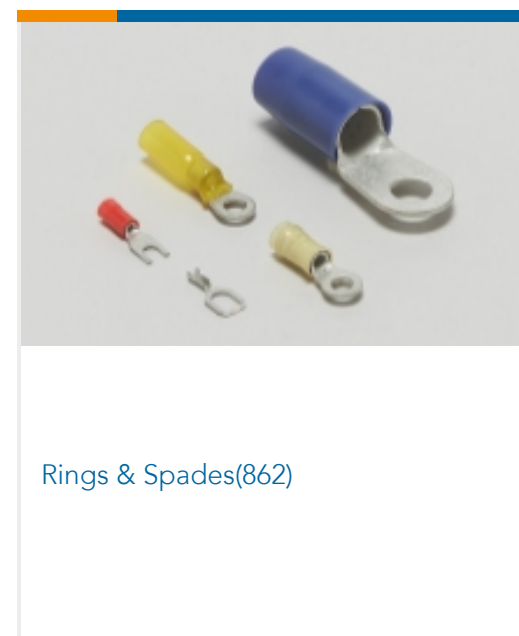
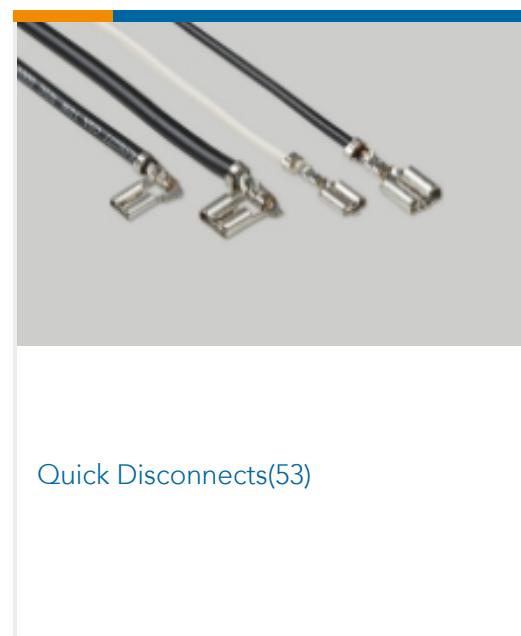
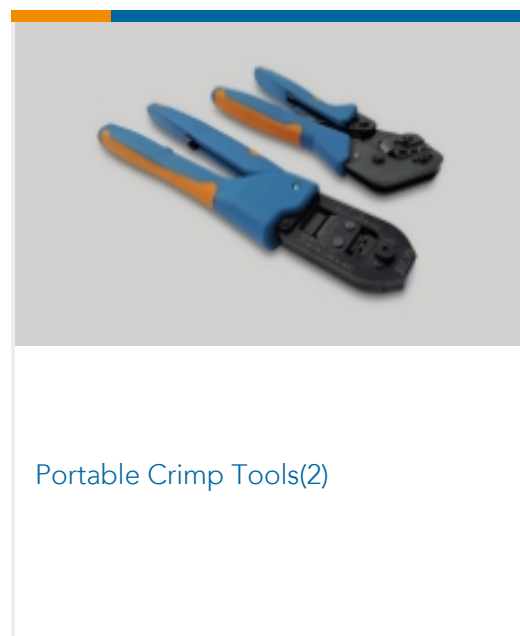
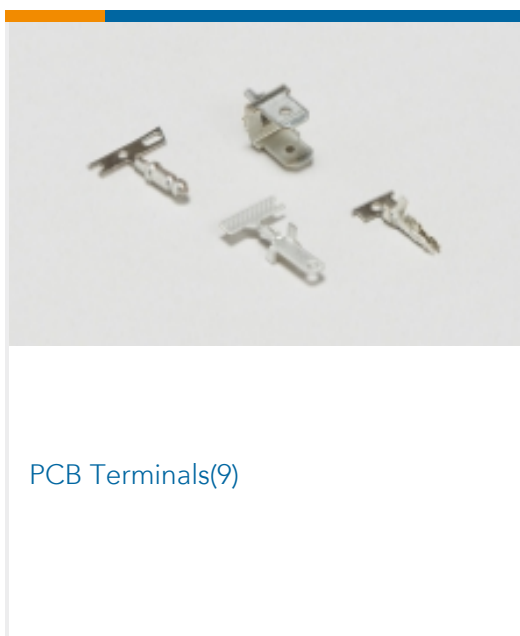
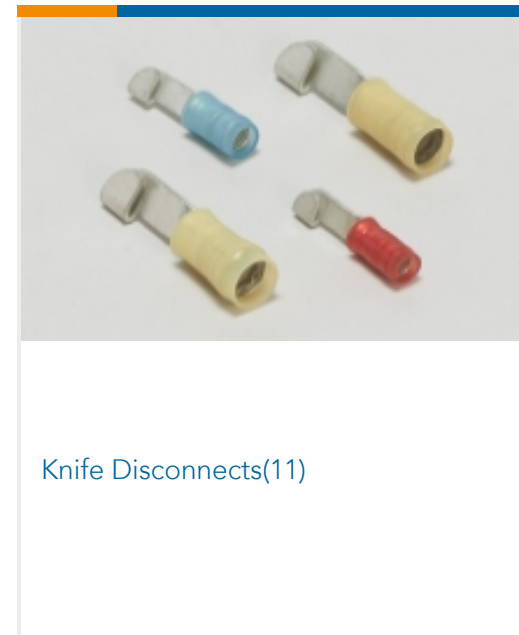
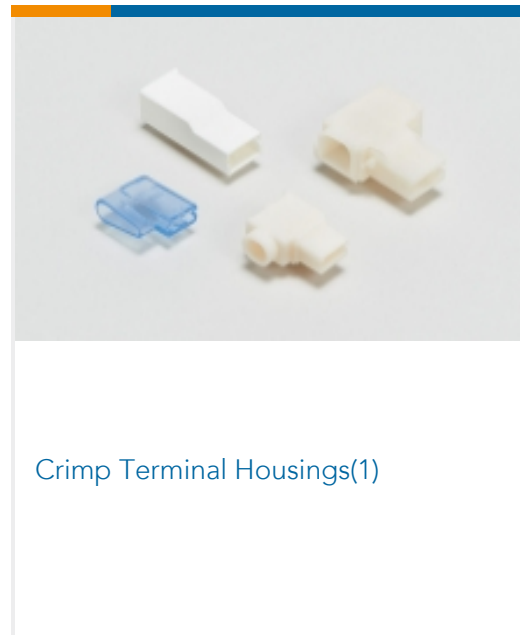
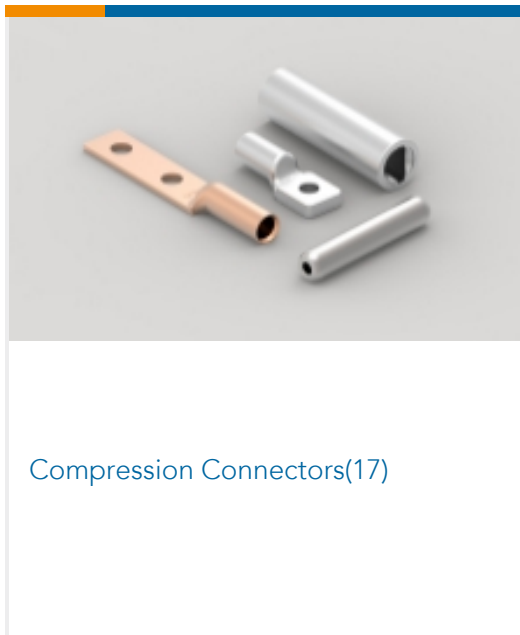
TE Model / Part # 525691
16-14 PIDG D.A.H.T. ASSY.



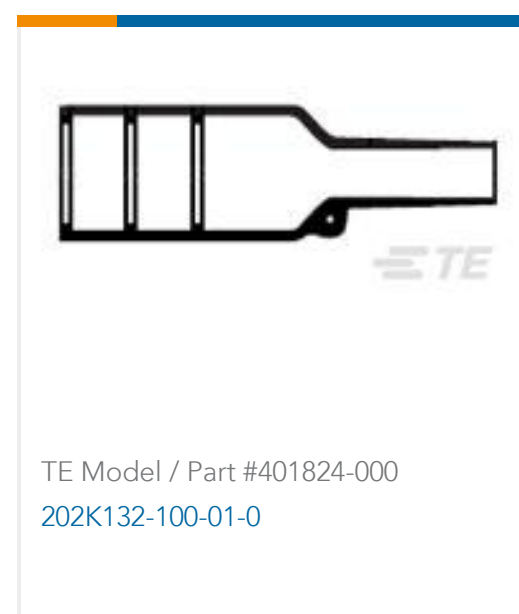
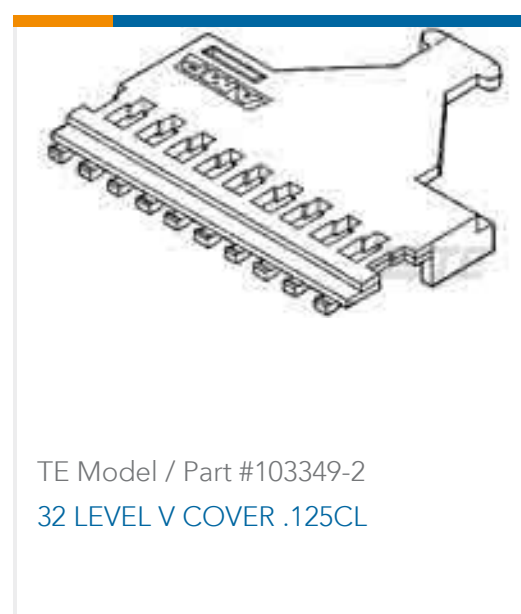
TE Model / Part # 169400
CERTI-LOK



Also in the Series | PIDG



Customers Also Bought





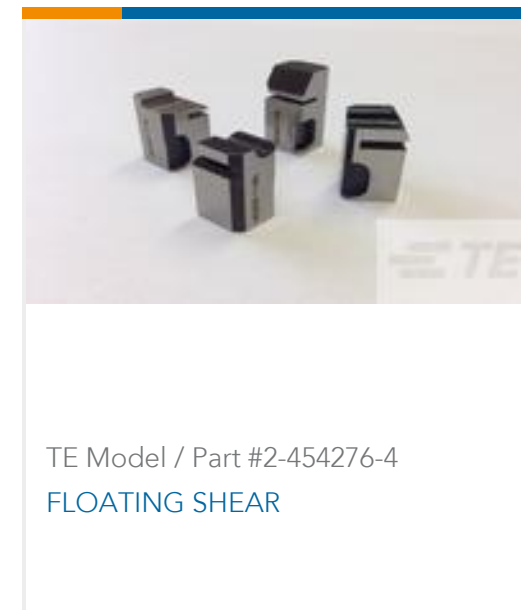
TE Model / Part #750961-1
50 50SR R/A PLUG ASSY W/BL



TE Model / Part #028145-000
CBR-2-2-A-(B3)



TE Model / Part #1546291-1
AMPPOWER HOUSING, PLUG, 20 POS



TE Model / Part #2-454276-4
FLOATING SHEAR



TE Model / Part #7-662520-8
ANVIL, COMBINATION

Documents

Product Drawings

[TERMINAL,PIDG SPD FLG 16-14 6](#)

English

CAD Files

Customer View Model

[ENG_CVM_2-320861-2_P.3d_igs.zip](#)

English

Customer View Model

[ENG_CVM_2-320861-2_P.3d_stp.zip](#)

English

Customer View Model

[ENG_CVM_2-320861-2_P.2d_dxf.zip](#)

English

3D PDF

English

By downloading the CAD file I accept and agree to the [Terms and Conditions](#) of use.

Product Specifications

[Application Specification](#)

English

Product Environmental Compliance

[TE Material Declaration](#)

English

Agency Approvals

[UL Report](#)



English