



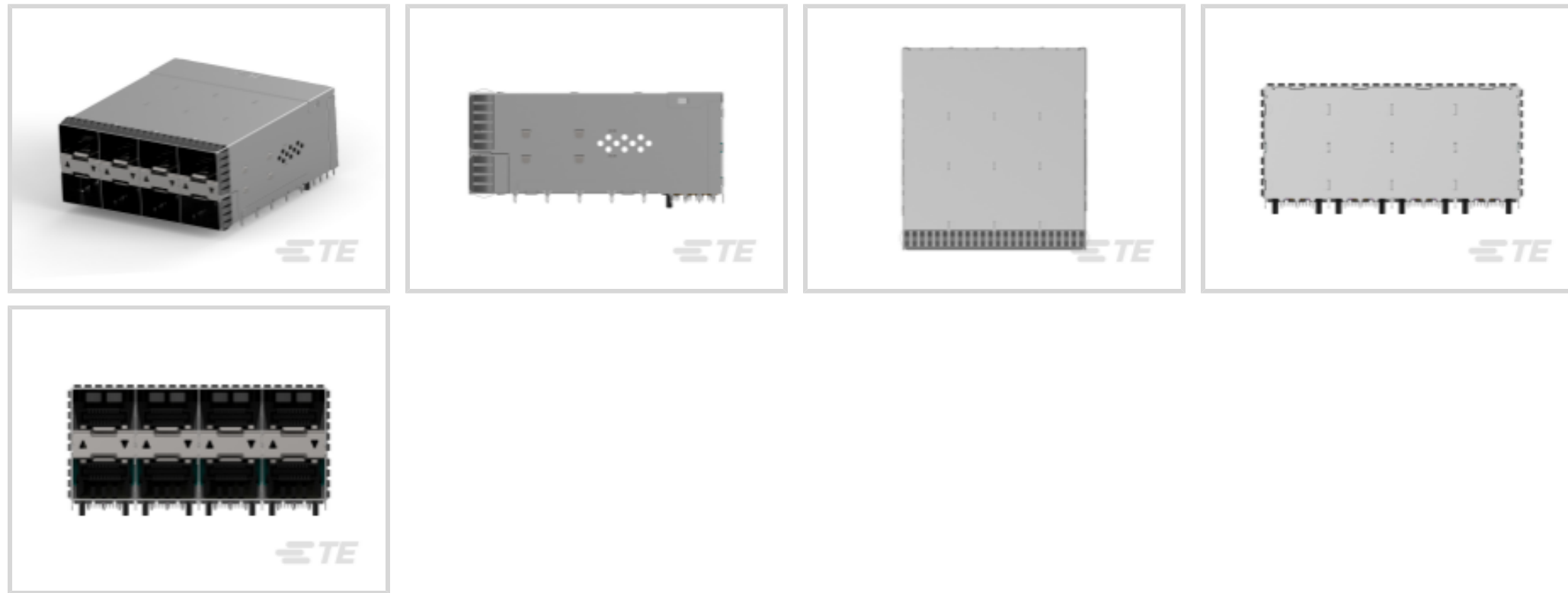
SFP56

TE Internal #: 2-2339978-0

zSFP+ Stacked (SFP56), Cage Assembly with Integrated Connector,
 .018in [.6mm] Centerline, Signal

[View on TE.com >](#)

Connectors > Pluggable IO Connectors & Cages > SFP56 Stacked Cage Assembly: EMI Spring



Pluggable I/O Product Type: **Cage Assembly with Integrated Connector**

Number of Positions: **20**

Centerline (Pitch): **.6 mm [.018 in]**

Data Rate (Max): **56 Gb/s**

Number of Ports: **8**

[All SFP56 Stacked Cage Assembly: EMI Spring \(48\)](#)

Features

Product Type Features

| | |
|----------------------------|---|
| Cage Type | Stacked |
| Pluggable I/O Product Type | Cage Assembly with Integrated Connector |
| Form Factor | zSFP+ Stacked (SFP56) |

Configuration Features

| | |
|---------------------------|-------|
| Number of Positions | 20 |
| Number of Ports | 8 |
| Port Matrix Configuration | 2 x 4 |

Electrical Characteristics

| | |
|-----------------|---------|
| Data Rate (Max) | 56 Gb/s |
|-----------------|---------|

Termination Features

| | |
|---|--------------------------|
| Termination Method to Printed Circuit Board | Through Hole - Press-Fit |
|---|--------------------------|

Housing Features

| | |
|--------------------|----------------|
| Centerline (Pitch) | .6 mm[.018 in] |
|--------------------|----------------|



Usage Conditions

| | |
|-----------------------------|----------------------------|
| Operating Temperature Range | -55 – 105 °C[-67 – 221 °F] |
|-----------------------------|----------------------------|

Operation/Application

| | |
|----------------------------|--------|
| Pluggable I/O Applications | SFP28 |
| Circuit Application | Signal |

Other

| | |
|------------------------------|-------------------------------|
| Included Lightpipe | Yes |
| EMI Containment Feature Type | Internal/External EMI Springs |

Product Compliance

[For compliance documentation, visit the product page on TE.com>](#)

| | |
|---|--|
| EU RoHS Directive 2011/65/EU | Compliant |
| EU ELV Directive 2000/53/EC | Compliant |
| China RoHS 2 Directive MIIT Order No 32, 2016 | No Restricted Materials Above Threshold |
| EU REACH Regulation (EC) No. 1907/2006 | Current ECHA Candidate List: JUNE 2023 (235) Candidate List Declared Against: JUL 2021 (219) Does not contain REACH SVHC |
| Halogen Content | Low Bromine/Chlorine - Br and Cl < 900 ppm per homogenous material. Also BFR /CFR/PVC Free |
| Solder Process Capability | Not reviewed for solder process capability |

Product Compliance Disclaimer

This information is provided based on reasonable inquiry of our suppliers and represents our current actual knowledge based on the information they provided. This information is subject to change. The part numbers that TE has identified as EU RoHS compliant have a maximum concentration of 0.1% by weight in homogenous materials for lead, hexavalent chromium, mercury, PBB, PBDE, DBP, BBP, DEHP, DIBP, and 0.01% for cadmium, or qualify for an exemption to these limits as defined in the Annexes of Directive 2011/65/EU (RoHS2). Finished electrical and electronic equipment products will be CE marked as required by Directive 2011/65/EU. Components may not be CE marked. Additionally, the part numbers that TE has identified as EU ELV compliant have a maximum concentration of 0.1% by weight in homogenous materials for lead, hexavalent chromium, and mercury, and 0.01% for cadmium, or qualify for an exemption to these limits as defined in the Annexes of Directive 2000/53/EC (ELV). Regarding the REACH Regulation, the information TE provides on SVHC in articles for this part number is based on the latest European Chemicals Agency (ECHA) 'Guidance on requirements for substances in articles' posted at this URL: <https://echa.europa.eu/guidance-documents/guidance-on-reach>

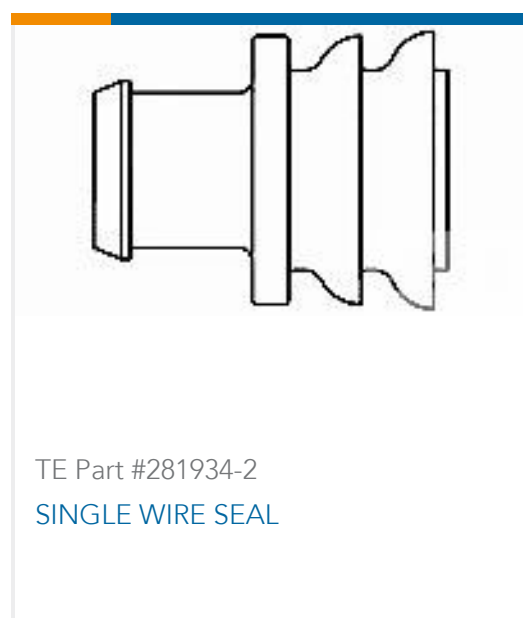
Compatible Parts



Also in the Series | SFP56



Customers Also Bought



Documents

Product Drawings

SFP56 STACKED 2X4 RECEPTACLE ASSEMBLY

English

CAD Files

3D PDF

3D



Customer View Model

[ENG_CVM_CVM_2-2339978-0_A.2d_dxf.zip](#)

English

Customer View Model

[ENG_CVM_CVM_2-2339978-0_A.3d_igs.zip](#)

English

Customer View Model

[ENG_CVM_CVM_2-2339978-0_A.3d_stp.zip](#)

English

By downloading the CAD file I accept and agree to the [Terms and Conditions](#) of use.

Product Specifications

[Application Specification](#)

English