

2-2321973-1 ✓ ACTIVE

MCON 1.2mm, MCON Interconnection System

TE Internal #: 2-2321973-1

Automotive Terminals, Tab, Mating Tab Width .047 in [1.2 mm], Tab Thickness .024 in [.6 mm], 18 – 17 AWG Wire Size, .75 – 1 mm² Wire Size, MCON 1.2mm

[View on TE.com >](#)



Terminals & Splices > Automotive Terminals



Terminal Type: **Tab**

Mating Tab Width: 1.2 mm [.047 in]

Mating Tab Thickness: .6 mm [.024 in]

Terminal Transmits: 0 – 24 A (Low Power)

Wire Size: 18 – 17 AWG

Features

Product Type Features

Receptacle Style	180°
Sealable	Yes
Primary Locking Feature	Clean Body

Body Features

Terminal Seal Type	Single Wire Seal (SWS)
--------------------	------------------------

Contact Features

Contact Size	1.2mm
Contact Fabrication	Stamped & Formed
Wire Contact Termination Area Plating Material	Silver
Typical Current Rating	13.4 A, 15 A
Crimp Type	F-Crimp
Terminal Type	Tab
Mating Tab Width	1.2 mm [.047 in]
Mating Tab Thickness	.6 mm [.024 in]



Interface Plating	Silver (Ag)
-------------------	-------------

Termination Features

Termination Method to Wire & Cable	Crimp
Product Terminates To	Wire

Dimensions

Accepts Wire Insulation Diameter Range	1.45 – 1.9 mm, 1.55 – 2.1 mm
Wire Size	.75 – 1 mm ²
Wire Size Search	17 AWG, 18 AWG

Usage Conditions

Insulation Option	Uninsulated
Operating Temperature (Max)	80 °C, 85 °C, 90 °C, 100 °C, 105 °C, 110 °C, 120 °C, 125 °C [176 °F][185 °F][194 °F][212 °F][221 °F][230 °F][248 °F][257 °F]
Operating Temperature Range	-40 – 125 °C [-40 – 257 °F]

Operation/Application

Compatible With Wire Base Material	Copper
------------------------------------	--------

Industry Standards

Agency/Standard	USCAR-21
-----------------	----------

Packaging Features

Packaging Quantity	7000
Packaging Method	Reel

Other

Terminal Transmits	0 – 24 A (Low Power)
--------------------	----------------------

Product Compliance

[For compliance documentation, visit the product page on TE.com>](#)

EU RoHS Directive 2011/65/EU	Compliant
EU ELV Directive 2000/53/EC	Compliant
China RoHS 2 Directive MIIT Order No 32, 2016	No Restricted Materials Above Threshold
EU REACH Regulation (EC) No. 1907/2006	Current ECHA Candidate List: JAN 2023 (233) Candidate List Declared Against: JAN 2023 (233) Does not contain REACH SVHC

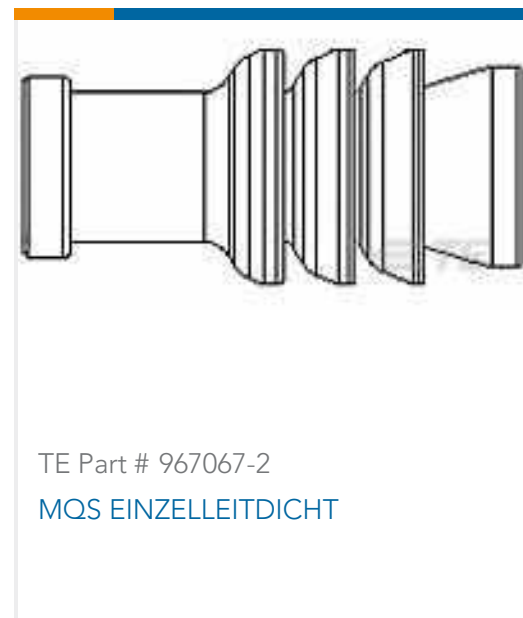
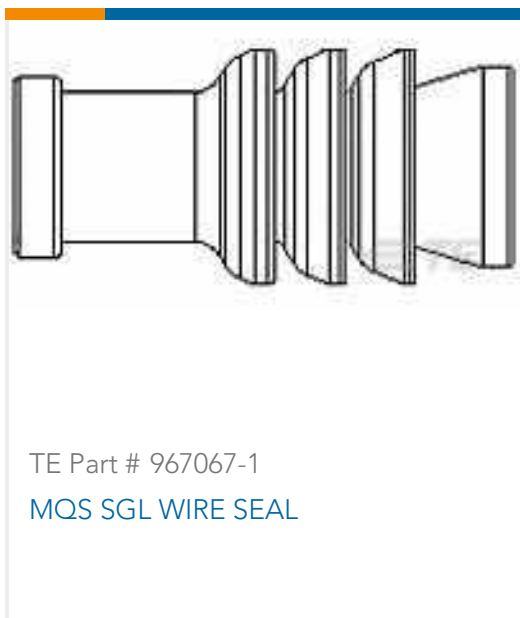


Halogen Content	Low Halogen - Br, Cl, F, I < 900 ppm per homogenous material. Also BFR/CFR/PVC Free
Solder Process Capability	Not applicable for solder process capability

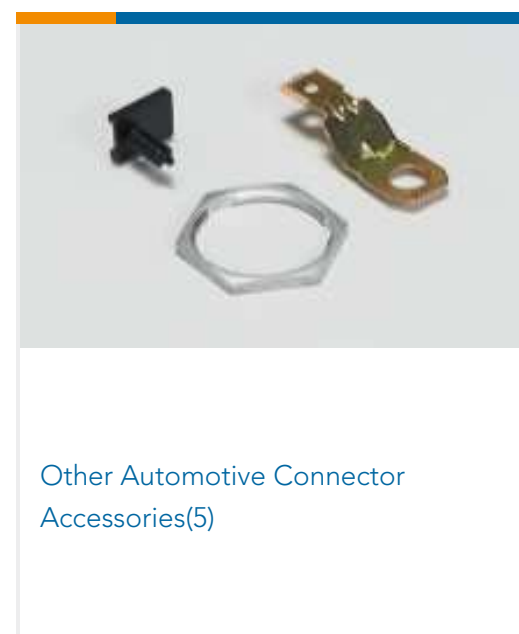
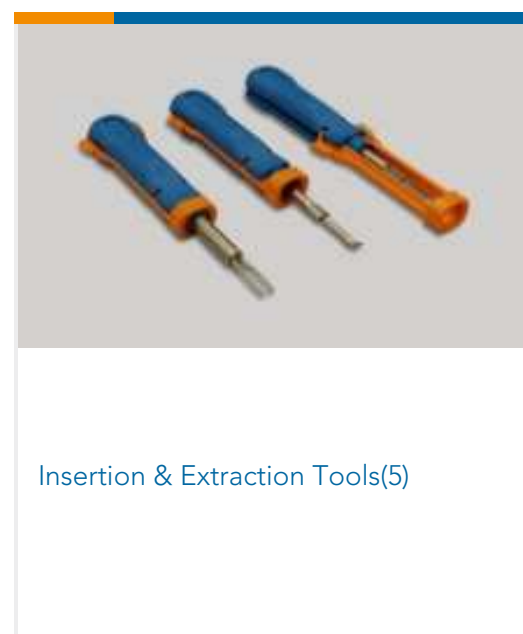
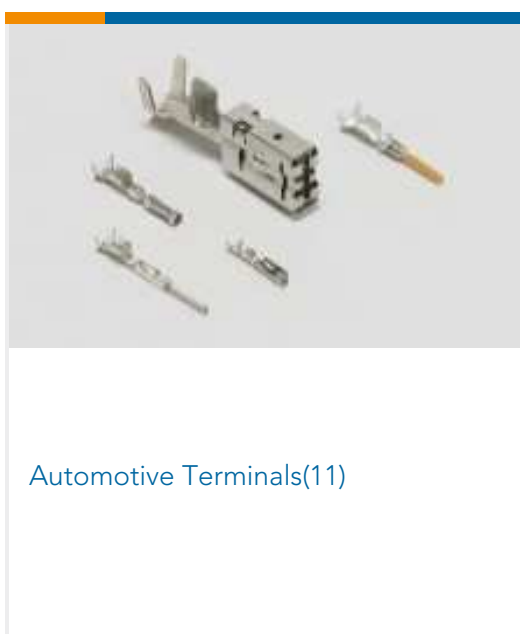
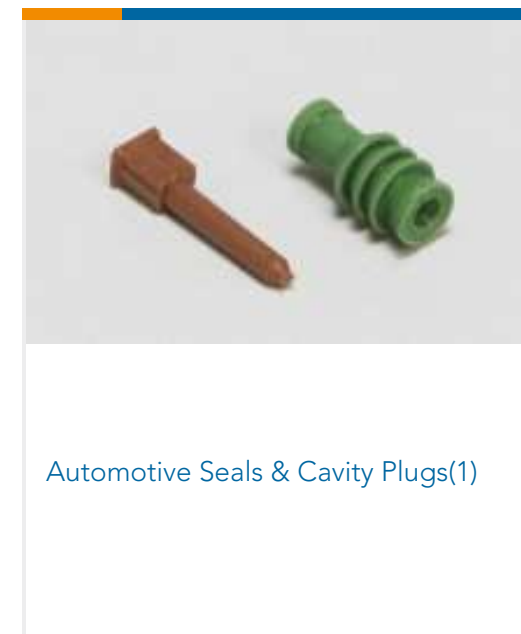
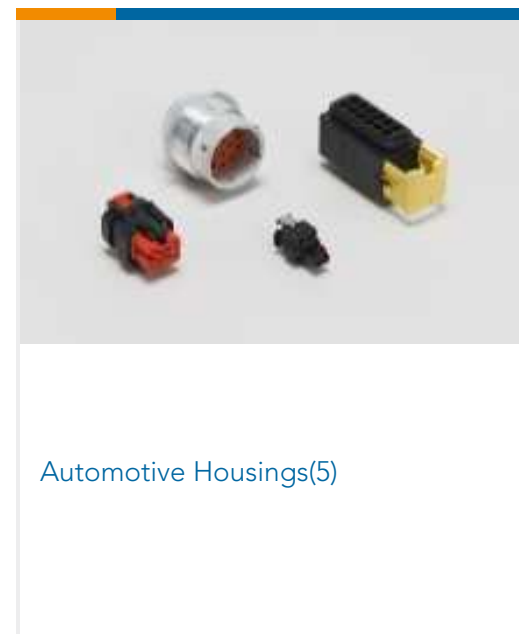
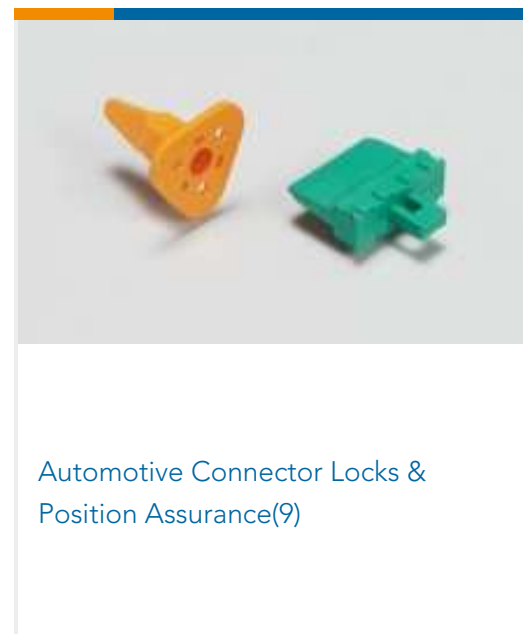
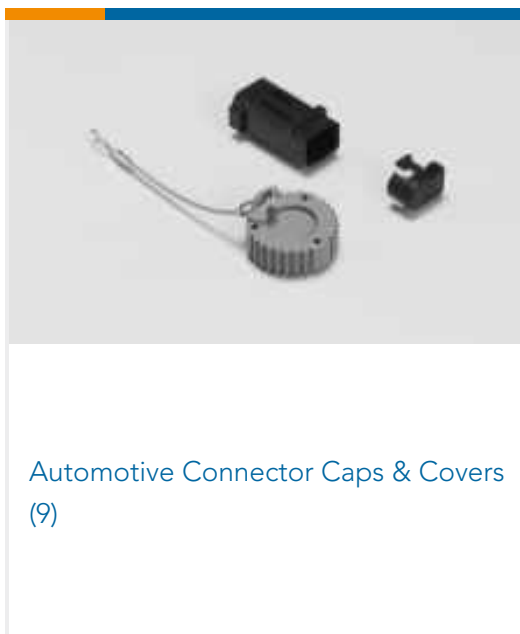
Product Compliance Disclaimer

This information is provided based on reasonable inquiry of our suppliers and represents our current actual knowledge based on the information they provided. This information is subject to change. The part numbers that TE has identified as EU RoHS compliant have a maximum concentration of 0.1% by weight in homogenous materials for lead, hexavalent chromium, mercury, PBB, PBDE, DBP, BBP, DEHP, DIBP, and 0.01% for cadmium, or qualify for an exemption to these limits as defined in the Annexes of Directive 2011/65/EU (RoHS2). Finished electrical and electronic equipment products will be CE marked as required by Directive 2011/65/EU. Components may not be CE marked. Additionally, the part numbers that TE has identified as EU ELV compliant have a maximum concentration of 0.1% by weight in homogenous materials for lead, hexavalent chromium, and mercury, and 0.01% for cadmium, or qualify for an exemption to these limits as defined in the Annexes of Directive 2000/53/EC (ELV). Regarding the REACH Regulation, the information TE provides on SVHC in articles for this part number is based on the latest European Chemicals Agency (ECHA) 'Guidance on requirements for substances in articles' posted at this URL: <https://echa.europa.eu/guidance-documents/guidance-on-reach>

Compatible Parts



Also in the Series | MCON 1.2mm



Also in the Series | MCON Interconnection System



Automotive Connector Caps & Covers (24)



Automotive Connector Locks & Position Assurance(11)



Automotive Housings(287)



Automotive Seals & Cavity Plugs(5)



Automotive Terminals(111)



Insertion & Extraction Tools(31)



Other Automotive Connector Accessories(7)



PCB Headers & Receptacles(1)

Customers Also Bought



TE Part #SRK-PC-080-35-601
PIN, SOLID, SIZE M8, 35mm2, AG



TE Part #K1127684
Relay 29-112-12



TE Part #K1128688
Battery Disconnecter 35-411-130-R-900



TE Part #HDP24-24-35SE
DEUTSCH HDP20 Housings



TE Part #K1012918
Relay 26-70-04



TE Part #DARS24296-000A3
CAR PIN STANDARD CONT. #5, silver plated



TE Part #HC5956
BATT.LEAD 90 DEG 70MM+VE.



TE Part #HC5957
BATT.LEAD 90 DEG 70MM-VE.

Documents

Product Drawings

TAB1.2X0.6,TERMINAL,SWS

English

CAD Files

3D PDF

3D



Customer View Model

[ENG_CVM_CVM_2-2321973-1_A.2d_dxf.zip](#)

English

Customer View Model

[ENG_CVM_CVM_2-2321973-1_A.3d_igs.zip](#)

English

Customer View Model

[ENG_CVM_CVM_2-2321973-1_A.3d_stp.zip](#)

English

By downloading the CAD file I accept and agree to the [Terms and Conditions](#) of use.

Product Specifications

[Application Specification](#)

English