

2-2308295-1 ✓ ACTIVE

AMP | AMP MCP Connector System

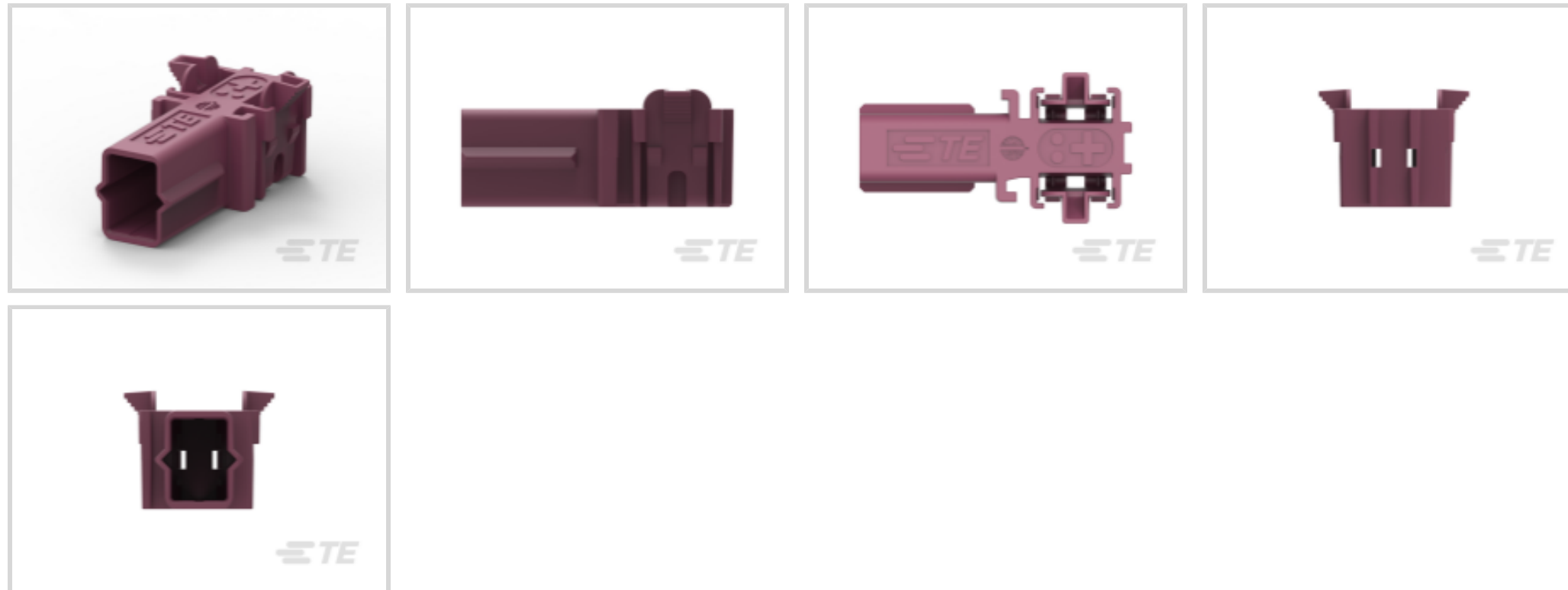
TE Internal #: 2-2308295-1

Housing for Female Terminals, Wire-to-Board, 1 Position, Claret Violet, Wire & Cable, Power, Cable Mount (Free-Hanging), AMP MCP Connector System

[View on TE.com >](#)



Connectors > Automotive Connectors > Automotive Housings > AMP Unsealed Connector Housing



Connector System: **Wire-to-Board**

Number of Positions: **1**

Connector & Housing Type: **Housing for Female Terminals**

Sealable: **No**

Mating Tab Width: **10 mm [ .393 in ]**

[All AMP Unsealed Connector Housing \(176\)](#)

## Features

### Product Type Features

Mixed & Hybrid Connector	No
Connector Shape	Rectangular
Connector System	Wire-to-Board
Connector & Housing Type	Housing for Female Terminals
Sealable	No
Connector & Contact Terminates To	Wire & Cable
Primary Locking Feature	Integrated in Housing

### Configuration Features

Number of Positions	1
---------------------	---

### Electrical Characteristics

Operating Voltage	60 VDC
-------------------	--------

### Body Features



Cable Exit Angle	90°
Primary Product Color	Claret Violet
Connector & Keying Code	B

#### Contact Features

Contact Size	10mm
Contact Type	Receptacle
Mating Tab Width	10 mm [.393 in]

#### Mechanical Attachment

Terminal Position Assurance	No
Strain Relief	Without
Mating Alignment Type	Keyed
Mating Alignment	With
Connector Mounting Type	Cable Mount (Free-Hanging)

#### Housing Features

Housing Material	PBT GF10
------------------	----------

#### Dimensions

Connector Height	19.5 mm [.767 in]
Product Width	24.9 mm [.978 in]
Product Length	45 mm [1.77 in]

#### Usage Conditions

Operating Temperature (Max)	105 °C [221 °F]
Operating Temperature Range	-40 – 105 °C [-40 – 221 °F]

#### Operation/Application

Circuit Application	Power
---------------------	-------

#### Industry Standards

Degree of Protection	IP20
Compatible With Agency/Standards Products	LV214
UL Flammability Rating	UL 94V-0

#### Packaging Features

Packaging Quantity	800
Packaging Method	Box

#### Other

Serviceable	No
Connector Position Assurance Capable	No

## Product Compliance

[For compliance documentation, visit the product page on TE.com>](#)

EU RoHS Directive 2011/65/EU	Compliant
EU ELV Directive 2000/53/EC	Compliant
China RoHS 2 Directive MIIT Order No 32, 2016	No Restricted Materials Above Threshold
EU REACH Regulation (EC) No. 1907/2006	Current ECHA Candidate List: JUNE 2024 (241) Candidate List Declared Against: JAN 2024 (240) Does not contain REACH SVHC
Halogen Content	Not Low Halogen - contains Br or Cl > 900 ppm.
Solder Process Capability	Not reviewed for solder process capability

### Product Compliance Disclaimer

This information is provided based on reasonable inquiry of our suppliers and represents our current actual knowledge based on the information they provided. This information is subject to change. The part numbers that TE has identified as EU RoHS compliant have a maximum concentration of 0.1% by weight in homogenous materials for lead, hexavalent chromium, mercury, PBB, PBDE, DBP, BBP, DEHP, DIBP, and 0.01% for cadmium, or qualify for an exemption to these limits as defined in the Annexes of Directive 2011/65/EU (RoHS2). Finished electrical and electronic equipment products will be CE marked as required by Directive 2011/65/EU. Components may not be CE marked. Additionally, the part numbers that TE has identified as EU ELV compliant have a maximum concentration of 0.1% by weight in homogenous materials for lead, hexavalent chromium, and mercury, and 0.01% for cadmium, or qualify for an exemption to these limits as defined in the Annexes of Directive 2000/53/EC (ELV). Regarding the REACH Regulation, the information TE provides on SVHC in articles for this part number is based on the latest European Chemicals Agency (ECHA) 'Guidance on requirements for substances in articles' posted at this URL: <https://echa.europa.eu/guidance-documents/guidance-on-reach>

## Compatible Parts

 <p>TE Part # 1-2840573-1 PCON12,TERMINAL,FAM SLD/UNSLD</p>	 <p>TE Part # 1-2840573-2 PCON12,TERMINAL,FAM SLD/UNSLD</p>	 <p>TE Part # 8-1579028-2 EXTRACTION TOOL</p>
--	--	--

Also in the Series | [AMP MCP Connector System](#)



<p>Automotive Connector Caps &amp; Covers (24)</p>	<p>Automotive Connector Locks &amp; Position Assurance(4)</p>	<p>Automotive Housings(260)</p>	<p>Automotive Terminals(11)</p>
<p>Connector Seals &amp; Cavity Plugs(5)</p>	<p>Insertion &amp; Extraction Tools(13)</p>	<p>Other Automotive Connector Accessories(2)</p>	<p>PCB Headers &amp; Receptacles(28)</p>

### Customers Also Bought

<p>TE Part #2-1418448-2 3POS MCP1.5k REC HSG CO MID POS CLOSED</p>	<p>TE Part #953697-2 MQS, CONNECTOR HOUSING</p>	<p>TE Part #160915-2 250 FASTON,REC.,20-17 AWG,TPPB</p>	<p>TE Part #7-968970-1 MCP2.8 GEH ASSY 6P</p>
<p>TE Part #316838-1 040-3 REC CONTACT M PRE-TIN</p>	<p>TE Part #NB11354001 ATUM-52/13-0-SP</p>	<p>TE Part #185448-1 2.5MM SEALED PIN HSG 4P</p>	<p>TE Part #NB08296001 HTAT-NR524-0-45MM</p>

### Documents

#### Product Drawings

1POS,PCON12,REC HSG,90 DEG,UNSLD,COD B

English

#### CAD Files

3D PDF

3D

Customer View Model

ENG\_CVM\_CVM\_2-2308295-1\_A.2d\_dxf.zip



English

Customer View Model

[ENG\\_CVM\\_CVM\\_2-2308295-1\\_A.3d\\_igs.zip](#)

English

Customer View Model

[ENG\\_CVM\\_CVM\\_2-2308295-1\\_A.3d\\_stp.zip](#)

English

By downloading the CAD file I accept and agree to the [Terms and Conditions](#) of use.

**Product Specifications**

[Engineering Specification](#)

English