

2-2287720-1 ✓ ACTIVE

PicoMQS

TE Internal #: 2-2287720-1

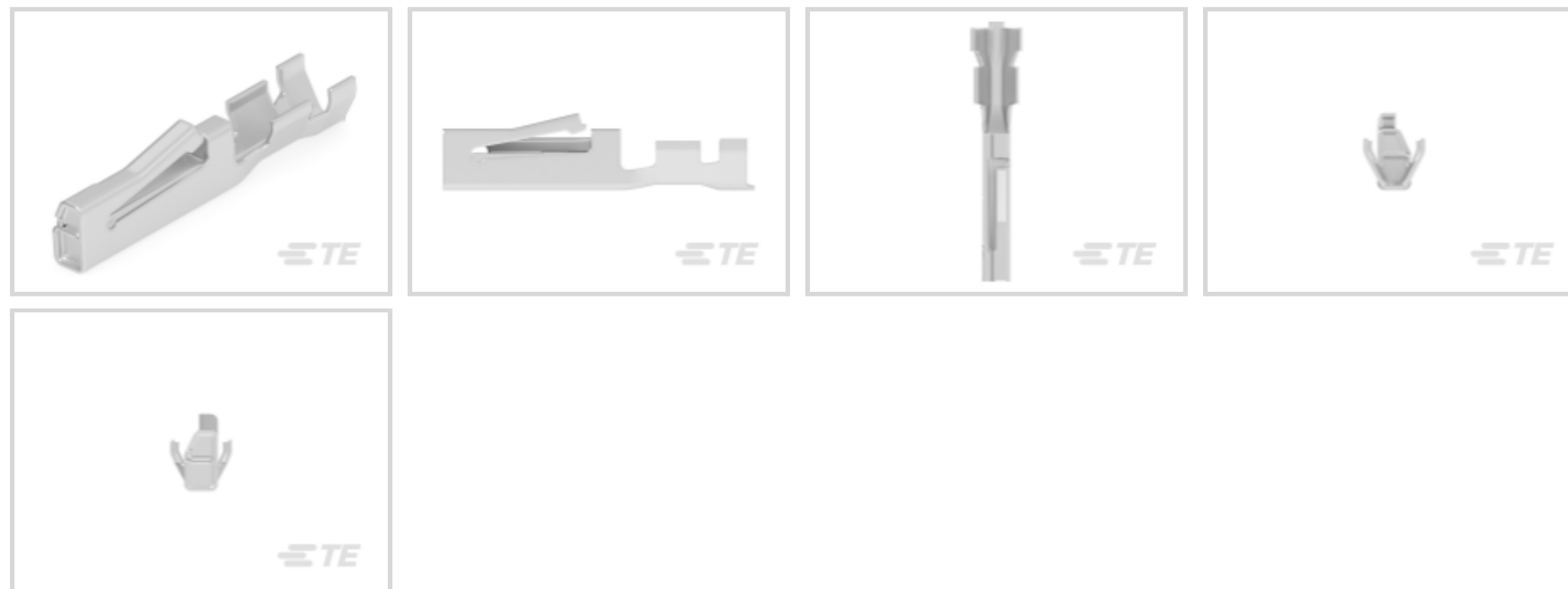
Automotive Terminals, Receptacle, Mating Tab Width .5 mm [.019 in], 26 – 24 AWG Wire Size, .13 – .22 mm² Wire Size, Tin (Sn)

Interface Plating

[View on TE.com >](#)



Terminals & Splices > Automotive Terminals > Pico MQS Terminals



Terminal Type: **Receptacle**

Mating Tab Width: .5 mm [.019 in]

Wire Size: .13 – .22 mm²

Sealable: **No**

[All Pico MQS Terminals \(2\)](#)

Features

Product Type Features

| | |
|-------------------------|-----------------------|
| Receptacle Style | 180° |
| Sealable | No |
| Primary Locking Feature | Integrated in Housing |

Contact Features

| | |
|------------------------|------------------|
| Contact Size | .5mm |
| Contact Fabrication | Stamped & Formed |
| Typical Current Rating | 2 A |
| Crimp Type | F-Crimp |
| Terminal Type | Receptacle |
| Mating Tab Width | .5 mm [.019 in] |
| Interface Plating | Tin (Sn) |

Termination Features

| | |
|------------------------------------|-------|
| Termination Method to Wire & Cable | Crimp |
|------------------------------------|-------|



Product Terminates To

Wire & Cable

Dimensions

Compatible Insulation Diameter Range

.85 – 1.05 mm

Wire Size

.13 – .22 mm²

Tab Length

8.15 mm [.32 in]

Usage Conditions

Insulation Option

Uninsulated

Operating Temperature (Max)

130 °C [266 °F]

Operating Temperature Range

-40 – 130 °C [-40 – 266 °F]

Operation/Application

Conforms to KOMAX Automatic Component Insertion Guideline

Yes, per Version 5.0 (March 2018)

Compatible With Wire Base Material

Copper

Industry Standards

Compatible With Agency/Standards Products

LV214

Packaging Features

Packaging Quantity

18000

Packaging Method

Reel

Product Compliance

[For compliance documentation, visit the product page on TE.com>](#)

EU RoHS Directive 2011/65/EU

Compliant

EU ELV Directive 2000/53/EC

Compliant

China RoHS 2 Directive MIIT Order No 32, 2016

No Restricted Materials Above Threshold

EU REACH Regulation (EC) No. 1907/2006

Current ECHA Candidate List: JAN 2024 (240)
Candidate List Declared Against: JAN 2024 (240)
Does not contain REACH SVHC

Halogen Content

Low Halogen - Br, Cl, F, I < 900 ppm per homogenous material. Also BFR/CFR/PVC Free

Solder Process Capability

Not reviewed for solder process capability

Product Compliance Disclaimer



This information is provided based on reasonable inquiry of our suppliers and represents our current actual knowledge based on the information they provided. This information is subject to change. The part numbers that TE has identified as EU RoHS compliant have a maximum concentration of 0.1% by weight in homogenous materials for lead, hexavalent chromium, mercury, PBB, PBDE, DBP, BBP, DEHP, DIBP, and 0.01% for cadmium, or qualify for an exemption to these limits as defined in the Annexes of Directive 2011/65/EU (RoHS2). Finished electrical and electronic equipment products will be CE marked as required by Directive 2011/65/EU. Components may not be CE marked. Additionally, the part numbers that TE has identified as EU ELV compliant have a maximum concentration of 0.1% by weight in homogenous materials for lead, hexavalent chromium, and mercury, and 0.01% for cadmium, or qualify for an exemption to these limits as defined in the Annexes of Directive 2000/53/EC (ELV). Regarding the REACH Regulation, the information TE provides on SVHC in articles for this part number is based on the latest European Chemicals Agency (ECHA) 'Guidance on requirements for substances in articles' posted at this URL: <https://echa.europa.eu/guidance-documents/guidance-on-reach>

Compatible Parts



TE Part # CAT-N54-PPRHU222
PicoMQS, 2-22 POS REC HSG,
Unsealed



TE Part # 2836274-2
OCEAN_2.0_APPLICATOR-S-
033F0390




TE Part # 5-1579028-3
EXTRACTION TOOL



TE Part # 7-2836274-7
OCEAN_2.0_SPARE_PART_KIT-
033F0390



TE Part # 2406363-1
2POS,PICO MQS,REC HSG,UNSLD,
COD A

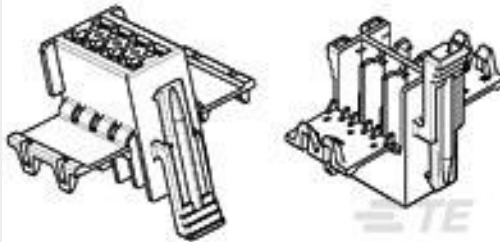


TE Part # 2439520-1
SDE F PicoMQS .22mm2 ASSY

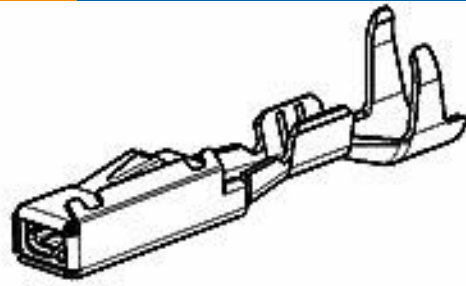
Customers Also Bought



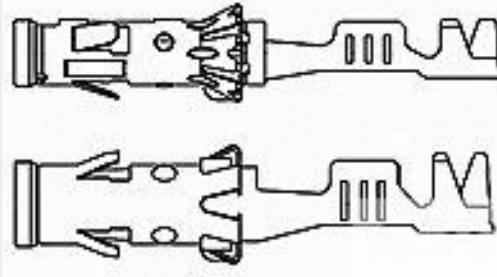
TE Part #T4132012031-000
M12,FRONT MOUNT,MALE,A,3P,
SOLDER WIRE



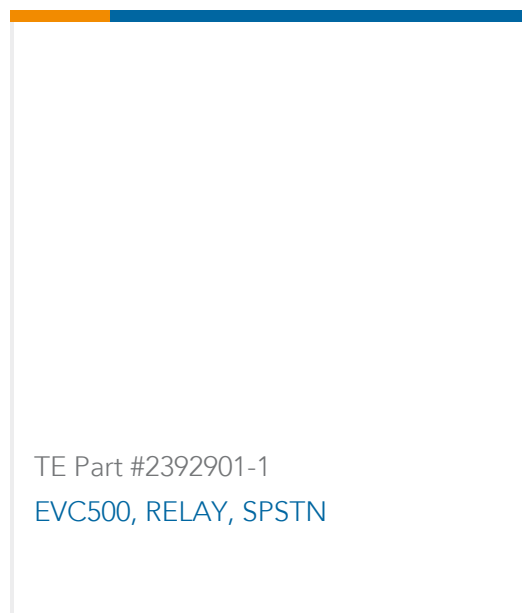
TE Part #1-929504-5
2X 7P JUN-POW-TIMGH



TE Part #1355556-1
MQS1,5 Sn rec LL unseal. 0,35-0,5



TE Part #929985-1
RECEPTACLE CONTACT 1,5MM DIA



Documents

Product Drawings

PICO MQS,TERMINAL

English

CAD Files

3D PDF

3D

Customer View Model

[ENG_CVM_CVM_2-2287720-1_A.2d_dxf.zip](#)

English

Customer View Model

[ENG_CVM_CVM_2-2287720-1_A.3d_igs.zip](#)

English

Customer View Model

[ENG_CVM_CVM_2-2287720-1_A.3d_stp.zip](#)

English

By downloading the CAD file I accept and agree to the [Terms and Conditions](#) of use.

Product Specifications

Application Specification

English