

2-2205129-6 ✓ ACTIVE

TE Internal #: 2-2205129-6

INDUSTRIAL MINI I/O Pigtail Cable Assembly, 8 Positions, 32.8 ft [10 m], 1 Gb/s, Black Cable, Shielded, 26 AWG, .129 mm<sup>2</sup>, Twisted Pair

[View on TE.com >](#)



Cable Assemblies > Copper Cable Assemblies > Pluggable I/O Cable Assemblies



Cable Assembly Type: INDUSTRIAL MINI I/O Pigtail

Equalized: No

Wire Size: .129 mm<sup>2</sup>

Outside Cable Diameter: 6.2 mm [ .244 in ]

## Features

### Product Type Features

Latching Style	Slide Latch
Cable Assembly Category	Industry Standard
Cable Assembly Type	INDUSTRIAL MINI I/O Pigtail
Connector Type (End A)	INDUSTRIAL MINI I/O Plug
Cable Style	Twisted Pair

### Configuration Features

Number of Positions	8
Number of Signal Positions	8

### Electrical Characteristics

Impedance	100 Ω
-----------	-------

### Signal Characteristics

Data Rate	1 Gb/s
-----------	--------

### Body Features

Shield Material	Copper Alloy
Jacket Material	PUR
Equalized	No
Cable Color	Black
Cable Flammability Rating	UL 444



### Contact Features

Contact Mating Area Plating Material Thickness	19.68 µm[.5 µin]
Contact Mating Area Plating Material	Gold

### Housing Features

Housing Material	Thermoplastic
------------------	---------------

### Dimensions

Wire Size	.129 mm <sup>2</sup>
Outside Cable Diameter	6.2 mm[.244 in]

### Operation/Application

Shielded	Yes
Halogen Free	Yes

### Industry Standards

Performance Category	Cat 5e
----------------------	--------

### Other

Cable Assembly Configuration	Single Ended
Cable Assembly Length	10 m[32.8 ft]

## Product Compliance

[For compliance documentation, visit the product page on TE.com>](#)

EU RoHS Directive 2011/65/EU	Compliant
EU ELV Directive 2000/53/EC	Compliant
China RoHS 2 Directive MIIT Order No 32, 2016	No Restricted Materials Above Threshold
EU REACH Regulation (EC) No. 1907/2006	Current ECHA Candidate List: JUNE 2023 (235) Candidate List Declared Against: JUNE 2023 (235) Does not contain REACH SVHC
Halogen Content	Not Low Halogen - contains Br or Cl > 900 ppm.
Solder Process Capability	Not applicable for solder process capability

#### Product Compliance Disclaimer

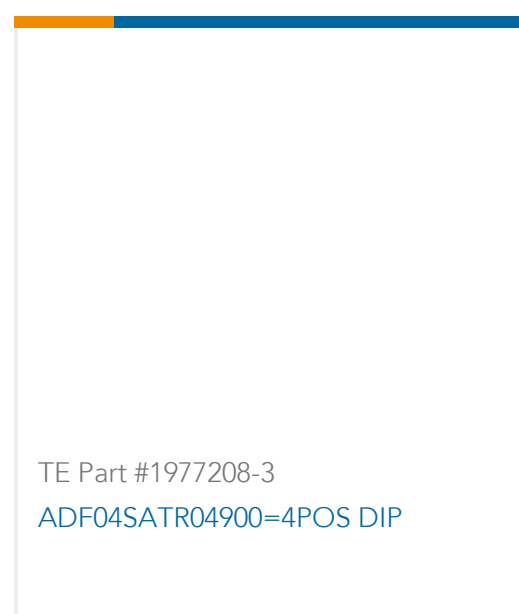
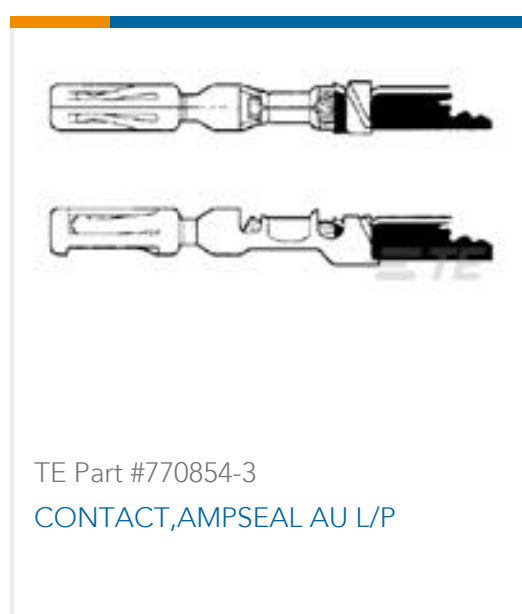
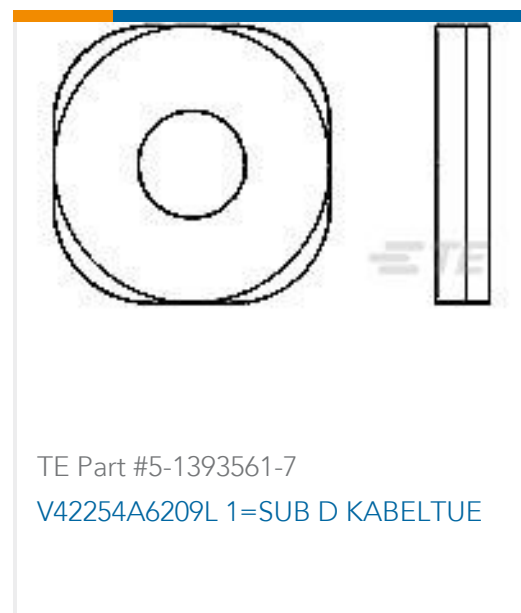
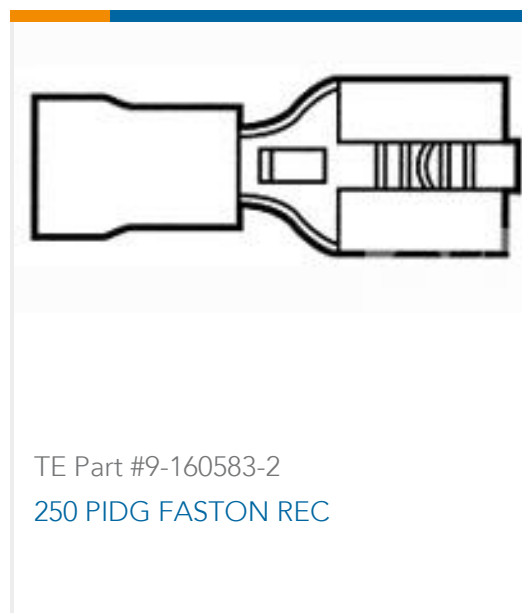
This information is provided based on reasonable inquiry of our suppliers and represents our current actual knowledge based on the information they provided. This information is subject to change. The part numbers that TE has identified as EU RoHS compliant have a maximum concentration of 0.1% by weight in homogenous materials for lead, hexavalent chromium, mercury, PBB, PBDE, DBP, BBP, DEHP, DIBP, and 0.01% for cadmium, or qualify for an exemption to these limits as defined in the Annexes of Directive 2011/65/EU (RoHS2). Finished electrical and electronic equipment products

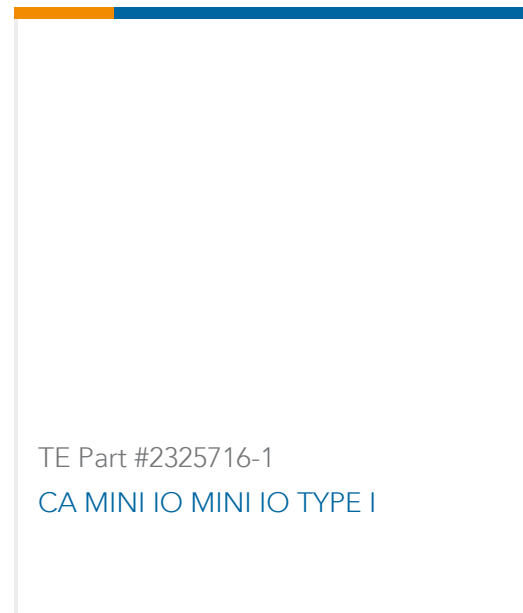
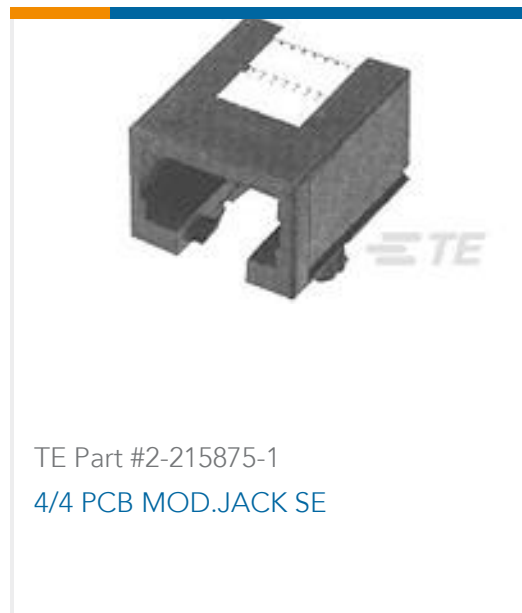
will be CE marked as required by Directive 2011/65/EU. Components may not be CE marked. Additionally, the part numbers that TE has identified as EU ELV compliant have a maximum concentration of 0.1% by weight in homogenous materials for lead, hexavalent chromium, and mercury, and 0.01% for cadmium, or qualify for an exemption to these limits as defined in the Annexes of Directive 2000/53/EC (ELV). Regarding the REACH Regulation, the information TE provides on SVHC in articles for this part number is based on the latest European Chemicals Agency (ECHA) 'Guidance on requirements for substances in articles' posted at this URL: <https://echa.europa.eu/guidance-documents/guidance-on-reach>

## Compatible Parts



## Customers Also Bought





## Documents

### Product Drawings

CA MINI IO TYPE I PIGTAIL

English

### Product Specifications

Application Specification

English