

2-179472-0 ✓ ACTIVE

AMP CT

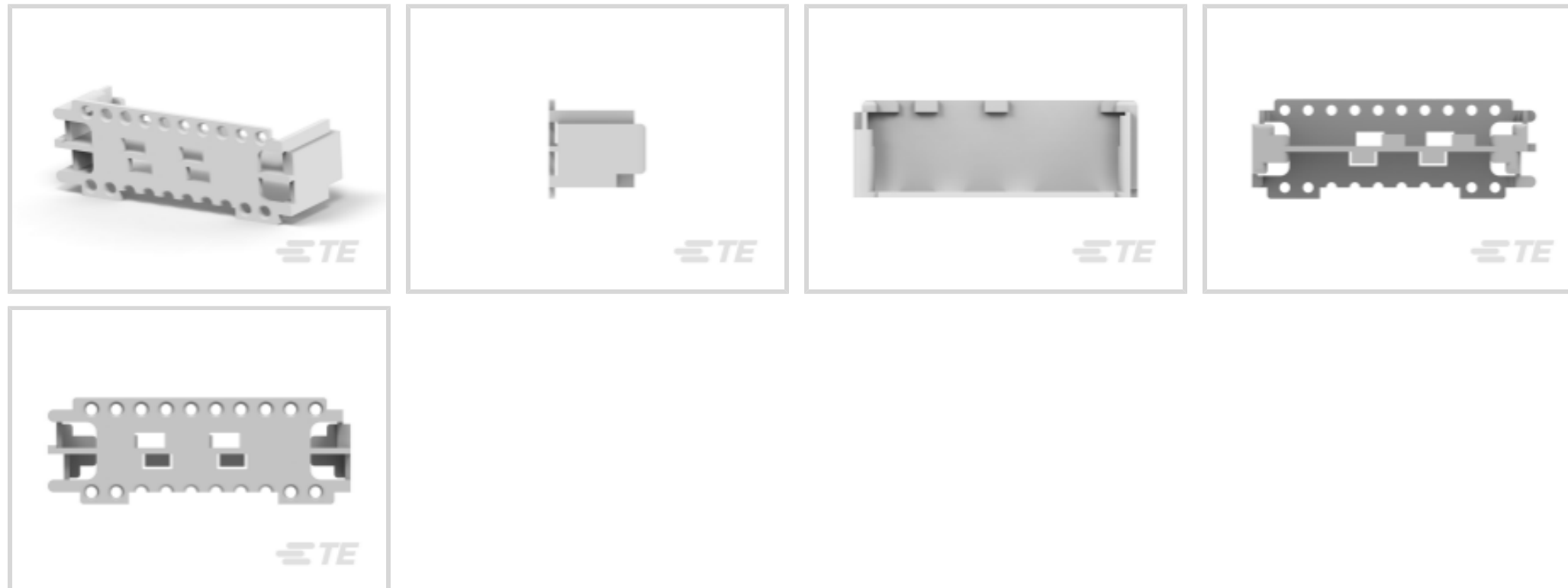
TE Internal #: 2-179472-0

Holder, Ivory, PA 66, 20 Position, AMP CT

[View on TE.com >](#)



Connectors > Connector Accessories > Connector Hardware



Hardware Accessory Function: **Mounting**

Connector Hardware Accessory Type: **Holder**

Primary Product Color: **Ivory**

Primary Product Material: **PA 66**

Number of Positions: **20**

Features

Product Type Features

Hardware Accessory Function	Mounting
Connector Hardware Accessory Type	Holder

Configuration Features

Number of Positions	20
---------------------	----

Body Features

Primary Product Color	Ivory
Primary Product Material	PA 66

Housing Features

Centerline (Pitch)	2 mm[.079 in]
--------------------	---------------

Dimensions

Product Width	8.5 mm[.334 in]
Product Length	24.3 mm[.957 in]
Product Height	8.3 mm[.326 in]
Row-to-Row Spacing	6.6 mm
Wire Size	30 – 22 AWG

Usage Conditions

Operating Temperature (Max)	105 °C[221 °F]
Operating Temperature Range	-30 – 105 °C[-22 – 221 °F]

Packaging Features

Packaging Quantity	1000
Packaging Method	Bag

Product Compliance

[For compliance documentation, visit the product page on TE.com>](#)

EU RoHS Directive 2011/65/EU	Compliant
EU ELV Directive 2000/53/EC	Compliant
China RoHS 2 Directive MIIT Order No 32, 2016	No Restricted Materials Above Threshold
EU REACH Regulation (EC) No. 1907/2006	Current ECHA Candidate List: JUNE 2023 (235) Candidate List Declared Against: JUNE 2023 (235) Does not contain REACH SVHC
Halogen Content	Low Halogen - Br, Cl, F, I < 900 ppm per homogenous material. Also BFR/CFR/PVC Free
Solder Process Capability	Not applicable for solder process capability

Product Compliance Disclaimer

This information is provided based on reasonable inquiry of our suppliers and represents our current actual knowledge based on the information they provided. This information is subject to change. The part numbers that TE has identified as EU RoHS compliant have a maximum concentration of 0.1% by weight in homogenous materials for lead, hexavalent chromium, mercury, PBB, PBDE, DBP, BBP, DEHP, DIBP, and 0.01% for cadmium, or qualify for an exemption to these limits as defined in the Annexes of Directive 2011/65/EU (RoHS2). Finished electrical and electronic equipment products will be CE marked as required by Directive 2011/65/EU. Components may not be CE marked. Additionally, the part numbers that TE has identified as EU ELV compliant have a maximum concentration of 0.1% by weight in homogenous materials for lead, hexavalent chromium, and mercury, and 0.01% for cadmium, or qualify for an exemption to these limits as defined in the Annexes of Directive 2000/53/EC (ELV). Regarding the REACH Regulation, the information TE provides on SVHC in articles for this part number is based on the latest European Chemicals Agency (ECHA) 'Guidance on requirements for substances in articles' posted at this URL: <https://echa.europa.eu/guidance-documents/guidance-on-reach>

Compatible Parts



TE Part # CAT-AM7017-C7671
Common Termination Contacts —
POWER TRIPLE LOCK



TE Part # CAT-3980700-DRWBSV
CT 2mm Dbl Row Assembly w/Boss:
Vert.

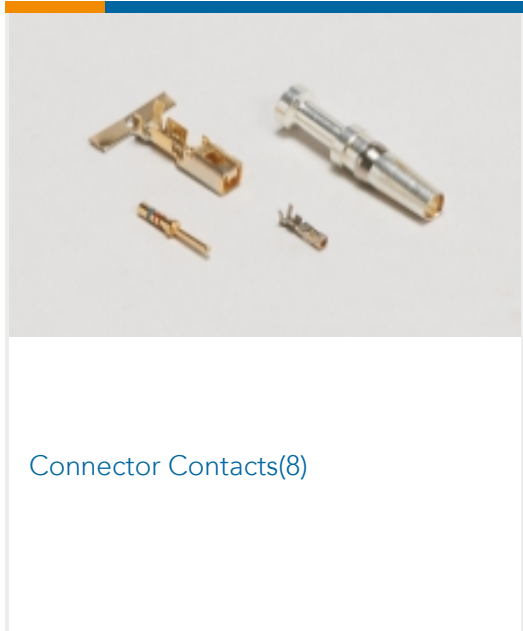


TE Part # 1-179228-0
CT CRIMP-2 REC HSG 10P NATURAL



TE Part # 2-292138-0
CT DOUBLE ROW ASSY H 20P HDR N

Also in the Series | AMP CT



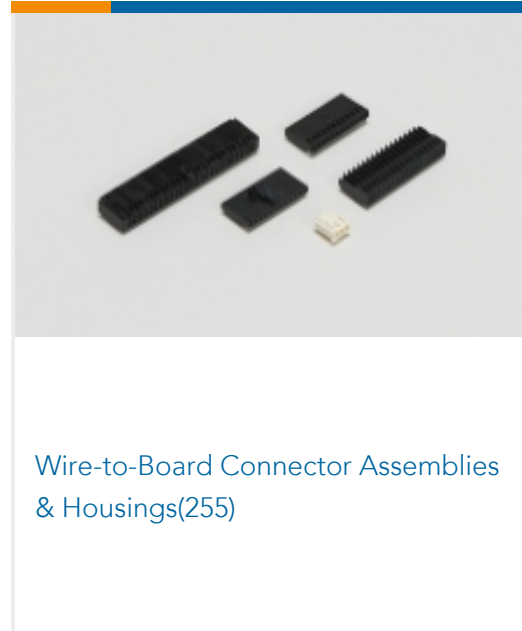
Connector Contacts(8)



Connector Hardware(46)



PCB Headers & Receptacles(756)



Wire-to-Board Connector Assemblies
& Housings(255)

Customers Also Bought



TE Part #292215-6
MINI CT SGL RELAY 6P NAT



TE Part #1-292215-2
MINI CT SGL RELAY 12P NAT



TE Part #3-353294-2
AMP MINI D/R HDR HSG 32P NATU



TE Part #3-353293-4
1.5MM CT MT REC ASSY 14P BLACK



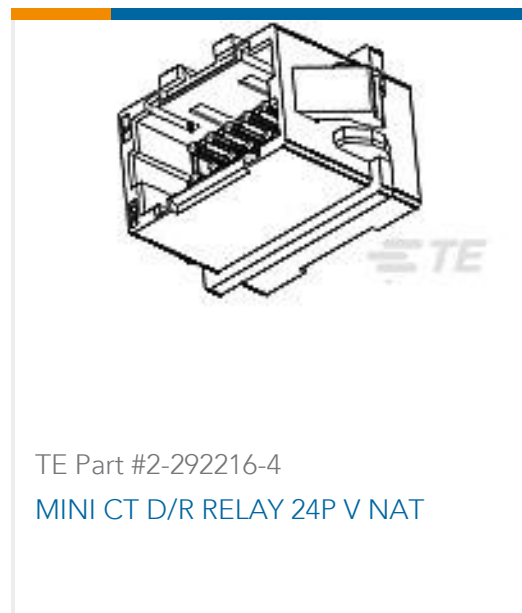
TE Part #2-292156-2
CT RELAY HDR ASSY FREE HANGING



TE Part #6-179228-9
CT CRIMP-2 REC HSG 9P BLACK



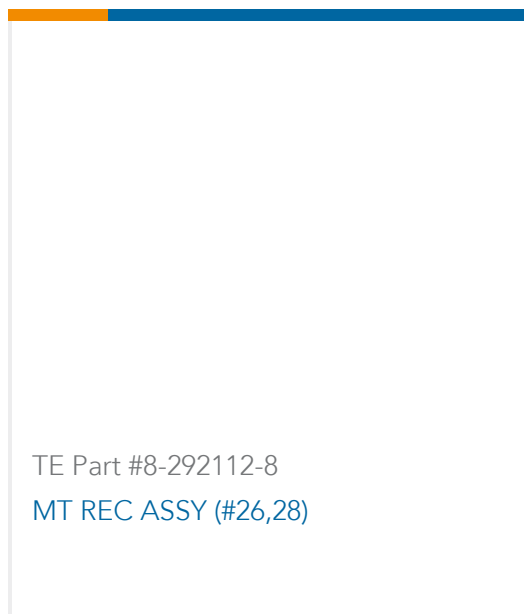
TE Part #3-292215-6
MINI CT SGL RELAY 16P BLACK



TE Part #2-292216-4
MINI CT D/R RELAY 24P V NAT



TE Part #2-292215-7
MINI CT SGL RELAY 7P BLACK



TE Part #8-292112-8
MT REC ASSY (#26,28)



Documents

Product Drawings

[CT DBL ROW HOLDER,CRIMP,20P,NA](#)

English

CAD Files

[3D PDF](#)

3D

Customer View Model

[ENG_CVM_CVM_2-179472-0_B.2d_dxf.zip](#)

English

Customer View Model

[ENG_CVM_CVM_2-179472-0_B.3d_igs.zip](#)

English

Customer View Model

[ENG_CVM_CVM_2-179472-0_B.3d_stp.zip](#)

English

By downloading the CAD file I accept and agree to the [Terms and Conditions](#) of use.

Product Specifications

[Application Specification](#)

English

[Application Specification](#)

English

[Crimping AMP 2.0mm Pitch CT Receptacle Contact](#)

English

Agency Approvals

[CSA Certificate](#)

English