

2-1761609-3 ✓ ACTIVE

## AMP-LATCH

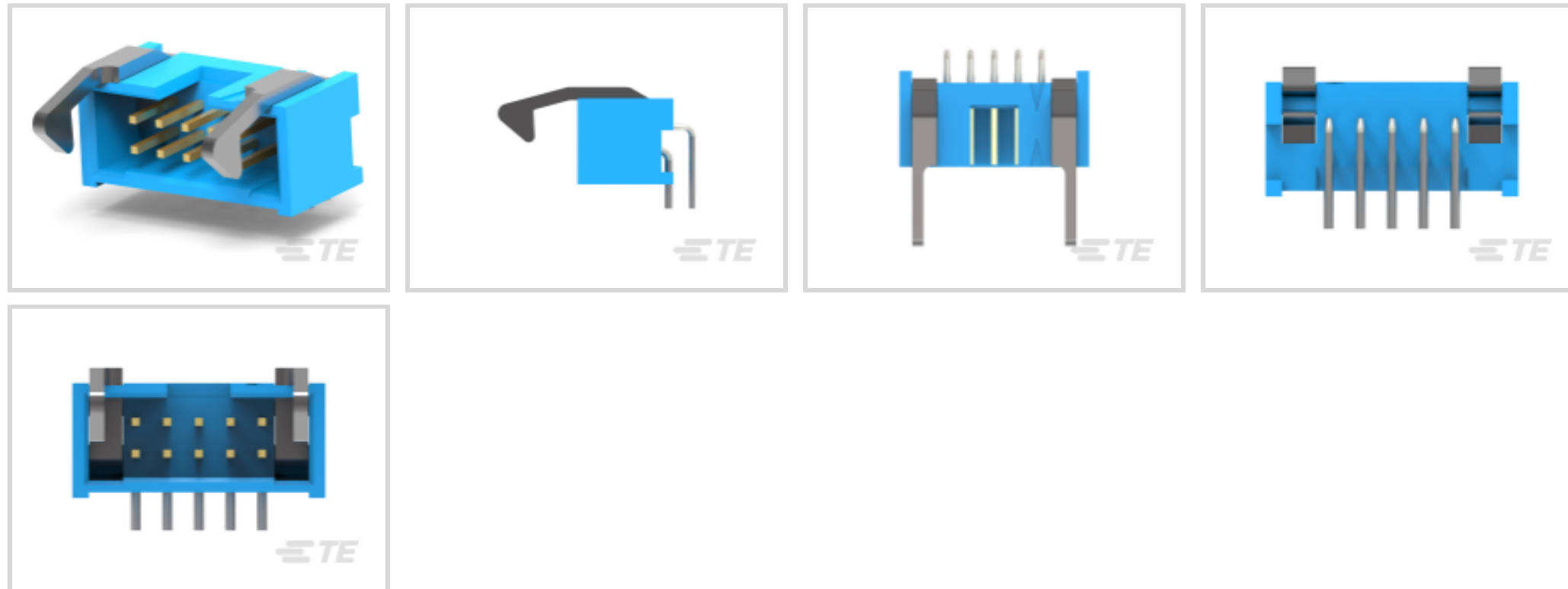
TE Internal #: 2-1761609-3

Ribbon Cable Connectors, Wire-to-Board, 10 Position, 2.54 mm [.1 in] Centerline, Right Angle, Through Hole - Solder, 2 Row, Plug, Low Profile

[View on TE.com >](#)



Connectors > PCB Connectors > Wire-to-Board Connectors > FFC, FPC & Ribbon Connectors > Ribbon Cable Connectors



Connector System: **Wire-to-Board**

Number of Positions: **10**

Centerline (Pitch): **2.54 mm [.1 in]**

PCB Mount Retention: **Without**

PCB Mount Orientation: **Right Angle**

### Features

#### Product Type Features

|                                    |                       |
|------------------------------------|-----------------------|
| Ribbon Cable Connector Header Type | Pin Header            |
| Connector Product Type             | Connector Assembly    |
| Connector System                   | Wire-to-Board         |
| Connector & Housing Type           | Plug                  |
| Connector & Contact Terminates To  | Printed Circuit Board |

#### Configuration Features

|                       |             |
|-----------------------|-------------|
| Number of Positions   | 10          |
| PCB Mount Orientation | Right Angle |
| Number of Rows        | 2           |

#### Electrical Characteristics

|                       |         |
|-----------------------|---------|
| Insulation Resistance | 5000 MΩ |
| Operating Voltage     | 250 VAC |

#### Body Features

|                       |      |
|-----------------------|------|
| Primary Product Color | Blue |
|-----------------------|------|



|                   |     |
|-------------------|-----|
| Connector Profile | Low |
|-------------------|-----|

### Contact Features

|   |  |
|---|--|
| PCB Contact Termination Area Plating Material Thickness | 2.54 $\mu\text{m}$ [100 $\mu\text{in}$ ] |
|---|--|

|                     |                 |
|---------------------|-----------------|
| Mating Pin Diameter | .64 mm[.025 in] |
|---------------------|-----------------|

|              |     |
|--------------|-----|
| Contact Type | Pin |
|--------------|-----|

|  |   |
|--|---|
| Contact Mating Area Plating Material Thickness | .762 $\mu\text{m}$ [30 $\mu\text{in}$ ] |
|--|---|

|                                      |            |
|--------------------------------------|------------|
| Contact Mating Area Plating Material | Gold Flash |
|--------------------------------------|------------|

|                      |        |
|----------------------|--------|
| Contact Shape & Form | Square |
|----------------------|--------|

|                               |        |
|-------------------------------|--------|
| Contact Underplating Material | Nickel |
|-------------------------------|--------|

|   |     |
|---|-----|
| PCB Contact Termination Area Plating Material | Tin |
|---|-----|

|                       |                 |
|-----------------------|-----------------|
| Contact Base Material | Phosphor Bronze |
|-----------------------|-----------------|

|                              |     |
|------------------------------|-----|
| Contact Current Rating (Max) | 1 A |
|------------------------------|-----|

### Termination Features

|  |                 |
|--|-----------------|
| Round Termination Post & Tail Diameter | .64 mm[.025 in] |
|--|-----------------|

|                                |                 |
|--------------------------------|-----------------|
| Termination Post & Tail Length | 2.6 mm[.102 in] |
|--------------------------------|-----------------|

|   |                       |
|---|-----------------------|
| Termination Method to Printed Circuit Board | Through Hole - Solder |
|---|-----------------------|

### Mechanical Attachment

|                  |      |
|------------------|------|
| Mating Alignment | With |
|------------------|------|

|                     |         |
|---------------------|---------|
| PCB Mount Alignment | Without |
|---------------------|---------|

|                     |         |
|---------------------|---------|
| Panel Mount Feature | Without |
|---------------------|---------|

|                     |         |
|---------------------|---------|
| PCB Mount Retention | Without |
|---------------------|---------|

|                       |        |
|-----------------------|--------|
| Mating Alignment Type | Center |
|-----------------------|--------|

|                  |      |
|------------------|------|
| Mating Retention | With |
|------------------|------|

|                       |                |
|-----------------------|----------------|
| Mating Retention Type | Ejection Latch |
|-----------------------|----------------|

|                         |             |
|-------------------------|-------------|
| Connector Mounting Type | Board Mount |
|-------------------------|-------------|

### Housing Features

|                       |     |
|-----------------------|-----|
| Mating Entry Location | Top |
|-----------------------|-----|

|                  |     |
|------------------|-----|
| Housing Material | PBT |
|------------------|-----|

|                    |                |
|--------------------|----------------|
| Centerline (Pitch) | 2.54 mm[.1 in] |
|--------------------|----------------|

### Dimensions

|                        |                  |
|------------------------|------------------|
| Shrouded End Dimension | 3.76 mm[.148 in] |
|------------------------|------------------|

|                  |                 |
|------------------|-----------------|
| Connector Length | 20.32 mm[.8 in] |
|------------------|-----------------|



|                  |                 |
|------------------|-----------------|
| Connector Height | 9.19 mm[.36 in] |
|------------------|-----------------|

|                    |                |
|--------------------|----------------|
| Row-to-Row Spacing | 2.54 mm[.1 in] |
|--------------------|----------------|

### Usage Conditions

|                            |      |
|----------------------------|------|
| Housing Temperature Rating | High |
|----------------------------|------|

|                             |                            |
|-----------------------------|----------------------------|
| Operating Temperature Range | -65 – 105 °C[-85 – 221 °F] |
|-----------------------------|----------------------------|

### Operation/Application

|                     |        |
|---------------------|--------|
| Circuit Application | Signal |
|---------------------|--------|

### Industry Standards

|                        |          |
|------------------------|----------|
| UL Flammability Rating | UL 94V-0 |
|------------------------|----------|

### Packaging Features

|                    |    |
|--------------------|----|
| Packaging Quantity | 26 |
|--------------------|----|

|                  |      |
|------------------|------|
| Packaging Method | Tube |
|------------------|------|

## Product Compliance

[For compliance documentation, visit the product page on TE.com>](#)

|                              |           |
|------------------------------|-----------|
| EU RoHS Directive 2011/65/EU | Compliant |
|------------------------------|-----------|

|                             |           |
|-----------------------------|-----------|
| EU ELV Directive 2000/53/EC | Compliant |
|-----------------------------|-----------|

|   |   |
|---|---|
| China RoHS 2 Directive MIIT Order No 32, 2016 | No Restricted Materials Above Threshold |
|---|---|

|  |  |
|--|--|
| EU REACH Regulation (EC) No. 1907/2006 | Current ECHA Candidate List: JUNE 2024 (241)<br>Candidate List Declared Against: JAN 2024 (240)<br>Does not contain REACH SVHC |
|--|--|

|                 |  |
|-----------------|--|
| Halogen Content | Not Low Halogen - contains Br or Cl > 900 ppm. |
|-----------------|--|

|                           |                              |
|---------------------------|------------------------------|
| Solder Process Capability | Wave solder capable to 265°C |
|---------------------------|------------------------------|

#### Product Compliance Disclaimer

This information is provided based on reasonable inquiry of our suppliers and represents our current actual knowledge based on the information they provided. This information is subject to change. The part numbers that TE has identified as EU RoHS compliant have a maximum concentration of 0.1% by weight in homogenous materials for lead, hexavalent chromium, mercury, PBB, PBDE, DBP, BBP, DEHP, DIBP, and 0.01% for cadmium, or qualify for an exemption to these limits as defined in the Annexes of Directive 2011/65/EU (RoHS2). Finished electrical and electronic equipment products will be CE marked as required by Directive 2011/65/EU. Components may not be CE marked. Additionally, the part numbers that TE has identified as EU ELV compliant have a maximum concentration of 0.1% by weight in homogenous materials for lead, hexavalent chromium, and mercury, and 0.01% for cadmium, or qualify for an exemption to these limits as defined in the Annexes of Directive 2000/53/EC (ELV). Regarding the REACH Regulation, the information TE provides on SVHC in articles for this part number is based on the latest European Chemicals Agency (ECHA) 'Guidance on requirements for substances in articles' posted at this URL: <https://echa.europa.eu/guidance-documents/guidance-on-reach>

## Compatible Parts



TE Part # 1658621-1  
10 NOVO MIL/CTR 15DP, LEAD FREE



TE Part # 1658527-3  
622-1030LF FEM SOCKET, LEAD FREE



TE Part # 1658620-1  
10 NOVO MIL 15DP, LEAD FREE



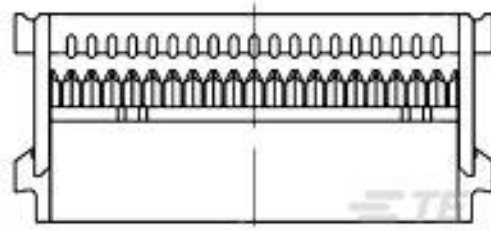
TE Part # 1658622-1  
10 NOVO MIL/CTR 30DP, LEAD FREE



TE Part # 1658623-1  
10 NOVO MIL 30DP, LEAD FREE



TE Part # 1-1658528-1  
636-1030LF=FEM SKT BLADE POL 1



TE Part # 1658526-3  
609-1000MLF FEM SCKT, LEAD FREE



TE Part # 1658526-4  
609-1030LF FEM SOCKET, LEAD FREE

## Customers Also Bought



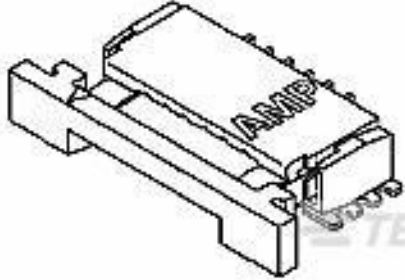
TE Part #FC2231-0000-0010-L  
MID RANGE COMPRESSION SENSOR



TE Part #2-1462039-6  
IM21GR=IM RELAY 50mW 3V



TE Part #281742-8  
HEADER HE14 RA 2X8 P



TE Part #1-84952-1  
1MM FPC HORZ.BTTM CONT.ASS.11P



TE Part #9-1423364-6  
W57-XB1A7A10-5=CKTBKR, THERM, PB, SCW/QC



TE Part #LM31-00000F-001PG  
Liquid Level Pressure Transducer



TE Part #1768020-3  
ESSW19-074

## Documents

### Product Drawings

IDC LOW PRO HDR 10P RA SHT LAT

English

### CAD Files

3D PDF

3D



### Customer View Model

[ENG\\_CVM\\_CVM\\_2-1761609-3\\_C.2d\\_dxf.zip](#)

English

### Customer View Model

[ENG\\_CVM\\_CVM\\_2-1761609-3\\_C.3d\\_igs.zip](#)

English

### Customer View Model

[ENG\\_CVM\\_CVM\\_2-1761609-3\\_C.3d\\_stp.zip](#)

English

By downloading the CAD file I accept and agree to the [Terms and Conditions](#) of use.

---

### Product Specifications

[Product Specification](#)

English

---

### Agency Approvals

[UL Report](#)

English