



TE Internal #: 2-1734858-3
 RJ45 Connectors, RJ45, Single Port, Port Matrix Configuration 1 x 1,
 RJ Type Jacks & Plugs, Standard Connector Contact Density, Jack,
 Cat 3

[View on TE.com >](#)

Connectors > Modular Jacks & Plugs > RJ45 Connectors



Modular Jack & Plug Interface Type: **RJ45**
 Port Configuration: **Single Port**
 Port Matrix Configuration: **1 x 1**
 Modular Jacks & Plugs Products: **RJ Type Jacks & Plugs**
 Connector Contact Density: **Standard**

Features

Product Type Features

| | |
|--|-----------------------|
| Connectors & Connector Components Type | Connector |
| Connector Product Type | Connector Assembly |
| Modular Jack & Plug Interface Type | RJ45 |
| Modular Jacks & Plugs Products | RJ Type Jacks & Plugs |
| Modular Connector Style | Jack |
| Grounding Options | None |
| Connector & Contact Terminates To | Printed Circuit Board |

Configuration Features

| | |
|----------------------------|-------------|
| Port Configuration | Single Port |
| Port Matrix Configuration | 1 x 1 |
| Connector Contact Density | Standard |
| Status Indicator Type | None |
| Number of Positions | 8 |
| Number of Loaded Positions | 8 |
| PCB Mount Orientation | Vertical |

Body Features

| | |
|--------------------------------|-----------------------|
| Modular Jack Latch Orientation | Standard - Latch Down |
| Connector Profile | Standard |

Contact Features



| | |
|--|-----------------|
| Contact Underplating Material | Nickel |
| PCB Contact Termination Area Plating Material | Gold Flash |
| Contact Current Rating (Max) | 1 A |
| Contact Mating Area Plating Material | Gold |
| Contact Base Material | Phosphor Bronze |
| Contact Mating Area Plating Material Thickness | .76 µm[50 µin] |

Termination Features

| | |
|---|----------------|
| Termination Method to Printed Circuit Board | Surface Mount |
| Termination Post & Tail Length | 1.3 mm[.05 in] |

Mechanical Attachment

| | |
|-------------------------|-------------|
| Panel Mount Feature | Without |
| Connector Mounting Type | Board Mount |

Housing Features

| | |
|-----------------------|-----------------|
| Mating Entry Location | Top |
| Centerline (Pitch) | 1.02 mm[.04 in] |
| Housing Color | Black |
| Housing Material | PA 9T GF30 |

Dimensions

| | |
|-----------------------------|------------------|
| PCB Thickness (Recommended) | 1.6 mm[.062 in] |
| Connector Height | 15.9 mm[.624 in] |

Usage Conditions

| | |
|-----------------------------|--|
| Operating Temperature Range | -40 – 85 °C, -40 – 85 °C[-40 – 185 °F][-40 – 185 °F] |
|-----------------------------|--|

Operation/Application

| | |
|---------------------|--------|
| Shielded | No |
| Circuit Application | Signal |

Industry Standards

| | |
|------------------------|----------|
| UL Flammability Rating | UL 94V-0 |
| Performance Category | Cat 3 |

Packaging Features

| | |
|--------------------|------|
| Packaging Quantity | 350 |
| Packaging Method | Reel |



Product Compliance

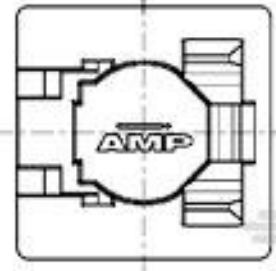

[For compliance documentation, visit the product page on TE.com>](#)

| | |
|---|---|
| EU RoHS Directive 2011/65/EU | Compliant |
| EU ELV Directive 2000/53/EC | Compliant |
| China RoHS 2 Directive MIIT Order No 32, 2016 | No Restricted Materials Above Threshold |
| EU REACH Regulation (EC) No. 1907/2006 | Current ECHA Candidate List: JUN 2020 (209) Candidate List Declared Against: JUL 2017 (174) Does not contain REACH SVHC |
| Halogen Content | Not Low Halogen - contains Br or Cl > 900 ppm. |
| Solder Process Capability | Reflow solder capable to 260°C |

Product Compliance Disclaimer

This information is provided based on reasonable inquiry of our suppliers and represents our current actual knowledge based on the information they provided. This information is subject to change. The part numbers that TE has identified as EU RoHS compliant have a maximum concentration of 0.1% by weight in homogenous materials for lead, hexavalent chromium, mercury, PBB, PBDE, DBP, BBP, DEHP, DIBP, and 0.01% for cadmium, or qualify for an exemption to these limits as defined in the Annexes of Directive 2011/65/EU (RoHS2). Finished electrical and electronic equipment products will be CE marked as required by Directive 2011/65/EU. Components may not be CE marked. Additionally, the part numbers that TE has identified as EU ELV compliant have a maximum concentration of 0.1% by weight in homogenous materials for lead, hexavalent chromium, and mercury, and 0.01% for cadmium, or qualify for an exemption to these limits as defined in the Annexes of Directive 2000/53/EC (ELV). Regarding the REACH Regulation, the information TE provides on SVHC in articles for this part number is based on the latest European Chemicals Agency (ECHA) 'Guidance on requirements for substances in articles' posted at this URL: <https://echa.europa.eu/guidance-documents/guidance-on-reach>

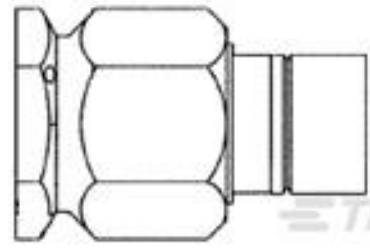
Compatible Parts

| | |
|--|---|
|  <p>TE Model / Part # 188729-1 8P.COVER/SOLD.STOP</p> |  <p>TE Model / Part # 1820802-1 ETHERNET Cat 5 Cable Assy</p> |
|--|---|

Customers Also Bought



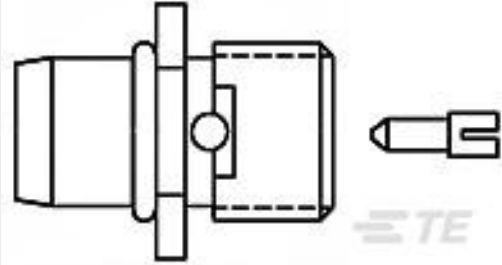

TE Model / Part #3-2176369-6
RQ 0603 93R1 0.1% 10PPM 5K RL



TE Model / Part #1050805-1
2001 8901 92



TE Model / Part #1056334-1
2780 0000 02



TE Model / Part #1059629-1
4557 5068 02



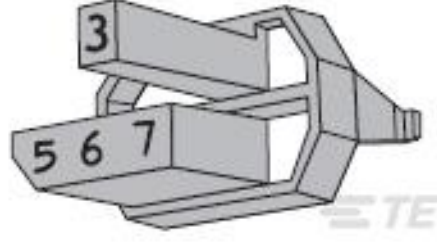
TE Model / Part #4-1633139-2
ANVIL, COMBINATION



TE Model / Part #2840613001
44A0211-14-4



TE Model / Part #2825703001
44A0211-24-8



TE Model / Part #5-100526-2
Z-PACK F.CODING KEY



TE Model / Part #767089-2
MICTOR,R/A,RECPT,,093,076,ASY



TE Model / Part #767094-3
MICT,RECPT,114,ASY,PDNI,EXTD

Documents

Product Drawings

[RJ11,8P8C,TOP ENTRY,SMT,30u"](#)

English

CAD Files

[3D PDF](#)

3D

Customer View Model

[ENG_CVM_CVM_2-1734858-3_B.2d_dxf.zip](#)

English

Customer View Model

[ENG_CVM_CVM_2-1734858-3_B.3d_igs.zip](#)

English

Customer View Model

[ENG_CVM_CVM_2-1734858-3_B.3d_stp.zip](#)

English

By downloading the CAD file I accept and agree to the [Terms and Conditions](#) of use.

Product Specifications



Product Specification

English

Product Environmental Compliance

TE Material Declaration

English