

2-165008-1 ✓ ACTIVE

PLASTI-GRIP

TE Internal #: 2-165008-1

Rings & Spades, Spade Tongue, 22 – 16AWG Wire Size, .25 – 1.65 mm² Wire Size, 509 – 3260CMA Wire Size, M4 / #8, Stud Diameter 4.3 mm [.171 in]

[View on TE.com >](#)



Terminals & Splices > Rings & Spades



Terminal & Splice Type: **Spade Tongue**

Wire Size: **509 – 3260 CMA**

Stud Size: **#8, M4**

Features

Product Type Features

| | |
|-------------------|--------------------|
| Shape Description | SPADE-021 |
| Stud Size | #8, M4 |
| Barrel Type | Closed Barrel |
| Sealable | No |
| Insulated | Yes |
| Wire/Cable Type | Regular Wire |
| Support Style | Insulation Support |

Configuration Features

| | |
|----------------|----------|
| Terminal Angle | Straight |
|----------------|----------|

Electrical Characteristics

| | |
|---------------|-------|
| Voltage (Max) | 600 V |
|---------------|-------|

Body Features

| | |
|-------------------------|-------------|
| Insulation Sleeve Color | Red |
| Weight per Piece | .155 g |
| Stripe Color | Red |
| Plating Material | Copper, Tin |

Contact Features

| | |
|------------------------|--------------|
| Terminal & Splice Type | Spade Tongue |
| Terminal Orientation | Straight |



Mechanical Attachment

| | |
|-------------------------|---------|
| Wire Insulation Support | Without |
|-------------------------|---------|

Dimensions

| | |
|--------------------------------|-------------------------------|
| Wire Size | 509 – 3260 CMA |
| Stud Diameter | 4.3 mm [.171 in] |
| Tongue Thickness | .79 mm [.031 in] |
| Overall Length | 21.1 mm [.829 in] |
| Wire Insulation Diameter (Max) | 3.6 mm [.141 in] |
| Wire Insulation Diameter | 2.7 – 3.6 mm [.106 – .142 in] |

Usage Conditions

| | |
|-----------------------------|----------------|
| Operating Temperature Range | 90 °C [194 °F] |
|-----------------------------|----------------|

Operation/Application

| | |
|------------|----|
| Heavy Duty | No |
|------------|----|

Industry Standards

| | |
|----------------------|----|
| Government Qualified | No |
|----------------------|----|

Packaging Features

| | |
|--------------------|--------------|
| Packaging Quantity | 5000 |
| Packaging Method | Tape Mounted |

Product Compliance

[For compliance documentation, visit the product page on TE.com>](#)

| | |
|---|---|
| EU RoHS Directive 2011/65/EU | Compliant |
| EU ELV Directive 2000/53/EC | Compliant |
| China RoHS 2 Directive MIIT Order No 32, 2016 | No Restricted Materials Above Threshold |
| EU REACH Regulation (EC) No. 1907/2006 | Current ECHA Candidate List: JUN 2020 (209) Candidate List Declared Against: JUL 2017 (174) Does not contain REACH SVHC |
| Halogen Content | Not Low Halogen - contains Br or Cl > 900 ppm. |
| Solder Process Capability | Not applicable for solder process capability |

Product Compliance Disclaimer

This information is provided based on reasonable inquiry of our suppliers and represents our current actual knowledge based on the information they provided. This information is subject to change. The part numbers that TE has identified as EU RoHS compliant have a maximum concentration of 0.1% by weight in homogenous materials for lead, hexavalent chromium, mercury, PBB, PBDE, DBP, BBP, DEHP, DIBP, and 0.01% for cadmium, or qualify for an exemption to these limits as defined in the Annexes of Directive 2011/65/EU (RoHS2). Finished electrical and electronic equipment products will be CE marked as required by Directive 2011/65/EU. Components may not be CE marked. Additionally, the part numbers that TE has identified as EU ELV compliant have a maximum concentration of 0.1% by weight in homogenous materials for lead, hexavalent chromium, and mercury, and 0.01% for cadmium, or qualify for an exemption to these limits as defined in the Annexes of Directive 2000/53/EC (ELV). Regarding the REACH Regulations, TE's information on SVHC in articles for this part number is still based on the European Chemical Agency (ECHA) 'Guidance on requirements for substances in articles' (Version: 2, April 2011), applying the 0.1% weight on weight concentration threshold at the finished product level. TE is aware of the European Court of Justice ruling of September 10th, 2015 also known as O5A (Once An Article Always An Article) stating that, in case of 'complex object', the threshold for a SVHC must be applied to both the product as a whole and simultaneously to each of the articles forming part of its composition. TE has evaluated this ruling based on the new ECHA "Guidance on requirements for substances in articles" (June 2017, version 4.0) and will be updating its statements accordingly.

Compatible Parts



REPRESENTATION ONLY

TE Model / Part # 47386
DAHT PIDG 22-16 ASSY



TE Model / Part # 58423-1
DIE, RBY IS9252



TE Model / Part # 58433-3
PRO CR ASSY, RBY IS9252

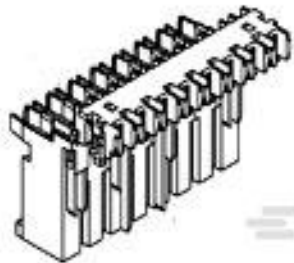


TE Model / Part # 169404
CERTI-LOK DIE

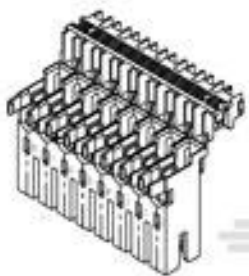
Customers Also Bought



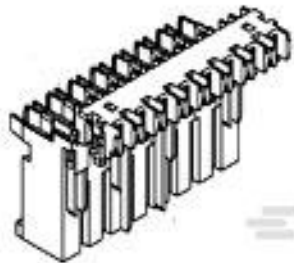
TE Model / Part #1-293491-3
AMP MONO-SHAPE TAB CONN assy 3



TE Model / Part #1-284338-2
AMP MONO-SHAPE 2 POS TAB CONN



TE Model / Part #1-282052-1
AMP MONO-SHAPE P.C.B.CONN12P.



TE Model / Part #1-284338-7
AMP MONO-SHAPE 2 P TAB LIF CON



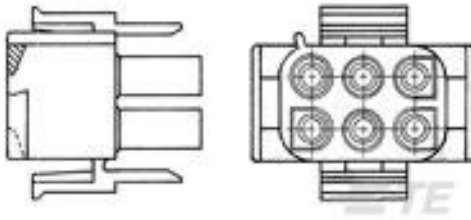
TE Model / Part #1-966930-3
DUOPLUG2,5 FEMALE CONNECTOR 3P



TE Model / Part #160497-2
MATE-N-LOK SOCKET



TE Model / Part #293207-7
DUOPLUG Std conn.,7 pos,gwt750 v0



TE Model / Part #927712-3
6P UN-MNL STECKGEH



Documents

Product Drawings

P.G. SPADE

English

CAD Files

Customer View Model

[ENG_CVM_2-165008-1_C2.3d_igs.zip](#)

English

Customer View Model

[ENG_CVM_2-165008-1_C2.3d_stp.zip](#)

English

Customer View Model

[ENG_CVM_2-165008-1_C2.2d_dxf.zip](#)

English

3D PDF

English

By downloading the CAD file I accept and agree to the [Terms and Conditions](#) of use.

Product Specifications

Application Specification

English

Product Environmental Compliance

TE Material Declaration

English

Agency Approvals

CSA Certificate

English