



Kilovac

TE Internal #: 2-1618105-4

Protective Relays, Contact Arrangement 1 N.C & 1 N.O, 5A Contact Current Rating (Max), 480 – 120VAC Input Voltage, Three Phase

[View on TE.com >](#)

Relays & Contactors > Relays > Protective Relays



Contact Arrangement: **1 N.C & 1 N.O**

Contact Current Rating (Max): **5 A**

Input Voltage: **480 – 120 VAC**

Phase: **Three**

Features

Product Type Features

Terminal Configuration	Screw Terminals
Phase	Three

Electrical Characteristics

Input Voltage	480 – 120 VAC
---------------	---------------

Contact Features

Contact Arrangement	1 N.C & 1 N.O
Contact Current Rating (Max)	5 A

Dimensions

Product Width	114.3 mm[4.5 in]
Product Length	107.95 mm[4.25 in]
Product Height	76.2 mm[3 in]

Product Compliance

[For compliance documentation, visit the product page on TE.com>](#)

EU RoHS Directive 2011/65/EU	Not Compliant
EU ELV Directive 2000/53/EC	Not Compliant
China RoHS 2 Directive MIIT Order No 32, 2016	Restricted Materials Above Threshold
EU REACH Regulation (EC) No. 1907/2006	Current ECHA Candidate List: JUNE 2023 (235)



Candidate List Declared Against: JAN 2022
(223)
SVHC > Threshold:
Not Yet Reviewed

Halogen Content

Not Yet Reviewed for halogen content

Solder Process Capability

Not applicable for solder process capability

Product Compliance Disclaimer

This information is provided based on reasonable inquiry of our suppliers and represents our current actual knowledge based on the information they provided. This information is subject to change. The part numbers that TE has identified as EU RoHS compliant have a maximum concentration of 0.1% by weight in homogenous materials for lead, hexavalent chromium, mercury, PBB, PBDE, DBP, BBP, DEHP, DIBP, and 0.01% for cadmium, or qualify for an exemption to these limits as defined in the Annexes of Directive 2011/65/EU (RoHS2). Finished electrical and electronic equipment products will be CE marked as required by Directive 2011/65/EU. Components may not be CE marked. Additionally, the part numbers that TE has identified as EU ELV compliant have a maximum concentration of 0.1% by weight in homogenous materials for lead, hexavalent chromium, and mercury, and 0.01% for cadmium, or qualify for an exemption to these limits as defined in the Annexes of Directive 2000/53/EC (ELV). Regarding the REACH Regulations, TE's information on SVHC in articles for this part number is still based on the European Chemical Agency (ECHA) 'Guidance on requirements for substances in articles' (Version: 2, April 2011), applying the 0.1% weight on weight concentration threshold at the finished product level. TE is aware of the European Court of Justice ruling of September 10th, 2015 also known as O5A (Once An Article Always An Article) stating that, in case of 'complex object', the threshold for a SVHC must be applied to both the product as a whole and simultaneously to each of the articles forming part of its composition. TE has evaluated this ruling based on the new ECHA "Guidance on requirements for substances in articles" (June 2017, version 4.0) and will be updating its statements accordingly.

Compatible Parts



TE Part # 2-1618107-1
WOUF-12-50P=WILMAR OVER /UNDER



TE Part # 2-1618107-4
WOUF-12-60=WILMAR OVER/UNDERF



TE Part # 2-1618107-6
WOUF-12-60-T=RELAY, O/U FREQ



TE Part # 2-1618107-8
WOUF-12-60-T-A=WILMAR OVER /UND



TE Part # 2-1618107-5
WOUF-12-60P=WILMAR OVER /UNDER



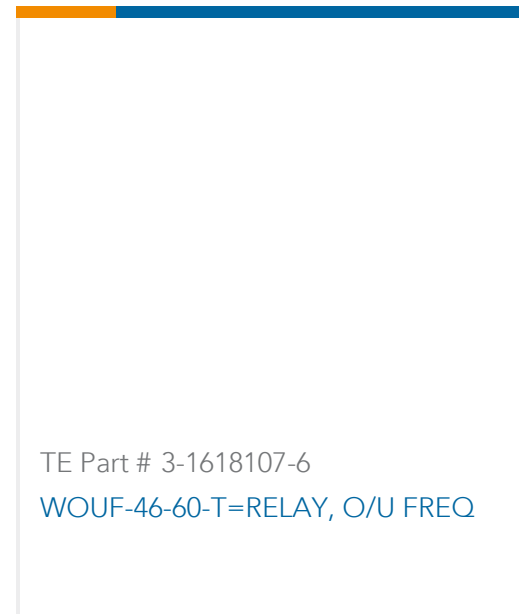
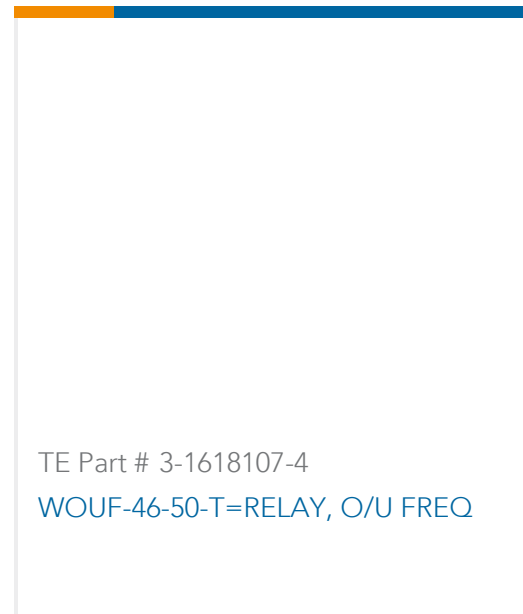
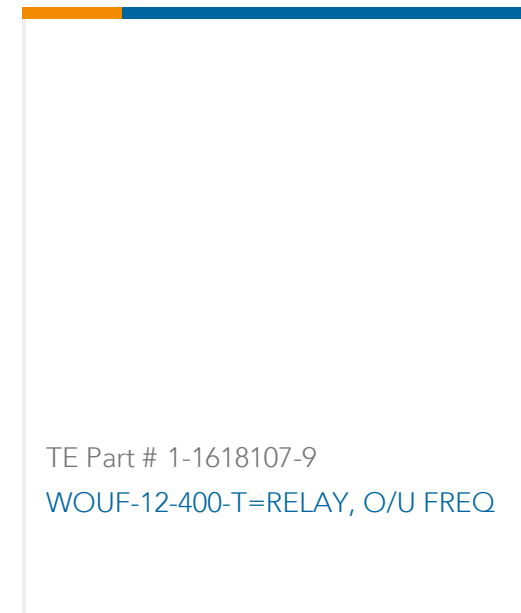
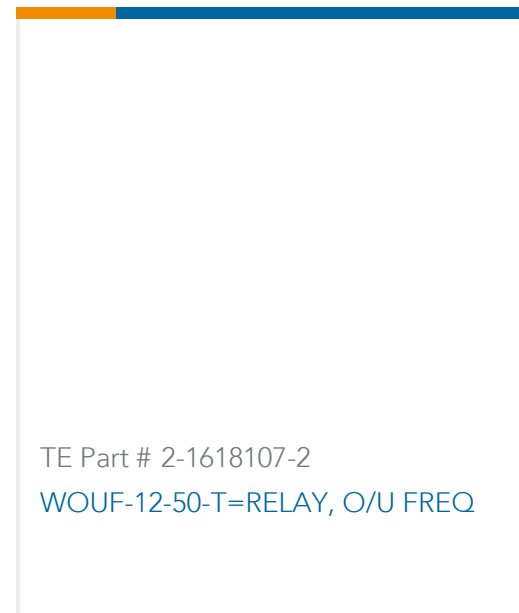
TE Part # 2-1618108-0
WOV-3-240=WILMAR OVERVOLTAGE 2



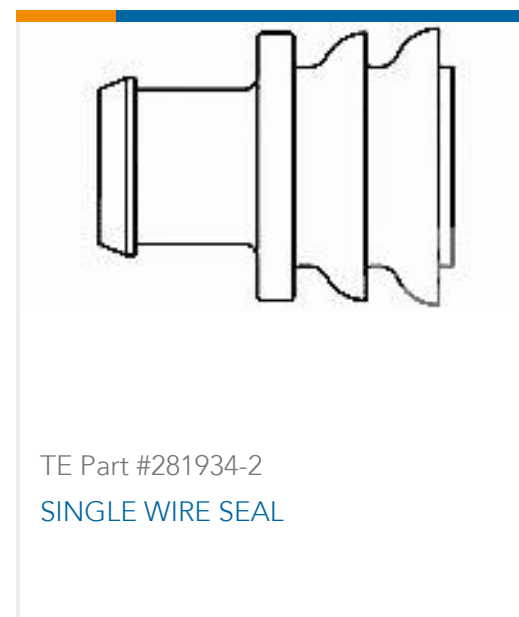
TE Part # 2-1618108-1
WOV-3-380=WILMAR OVERVOLTAGE 3



TE Part # 2-1618108-3
WOV-3-440=WILMAR OVERVOLTAGE 4



Customers Also Bought



Documents

Product Drawings

[WGD-480-120AC=WILMAR GROUND FA](#)

English

Datasheets & Catalog Pages

[High_Performance_Relays_Section11](#)

English

[5-1773450-5_sec11_WGD](#)

English

