

2-1419158-9 ✓ ACTIVE

[AMP | Get .64 Connector System](#)

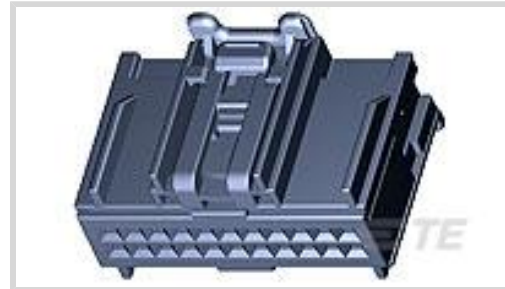
TE Internal #: 2-1419158-9

Housing for Female Terminals, Wire-to-Board / Wire-to-Wire, 22 Position, .1 in [2.54 mm] Centerline, Black, Wire & Cable, Get .64 Connector System

[View on TE.com >](#)



Connectors > Automotive Connectors > Automotive Housings > GET .64 CONNECTOR SYSTEM, CONNECTOR HSG



Connector System: **Wire-to-Board, Wire-to-Wire**

Number of Positions: **22**

Connector & Housing Type: **Housing for Female Terminals**

Centerline (Pitch): **2.54 mm [.1 in]**

Sealable: **No**

[All GET .64 CONNECTOR SYSTEM, CONNECTOR HSG \(85\)](#)

Features

Product Type Features

Mixed & Hybrid Connector	No
Connector Shape	Rectangular
Connector System	Wire-to-Board, Wire-to-Wire
Connector & Housing Type	Housing for Female Terminals
Sealable	No
Connector & Contact Terminates To	Wire & Cable
Primary Locking Feature	Integrated in Housing

Configuration Features

Number of Positions	22
Number of Rows	2

Electrical Characteristics

Operating Voltage	14 VDC
Nominal Voltage Architecture	12 V

Body Features

Cable Exit Angle	180°
Primary Product Color	Black
Connector & Keying Code	C



Contact Features

Contact Size	.64mm
Contact Type	Receptacle
Mating Tab Width	.64 mm[.025 in]
Contact Current Rating (Max)	7.5 A

Mechanical Attachment

Terminal Position Assurance	Yes
Strain Relief	Without
Mating Alignment Type	Keyed
Mating Alignment	With
Connector Mounting Type	Cable Mount (Free-Hanging)

Housing Features

Housing Material	PA GF
Centerline (Pitch)	2.54 mm[.1 in]

Dimensions

Connector Height	18.2 mm[.717 in]
Product Width	20.25 mm[.797 in]
Product Length	31.2 mm[1.228 in]

Usage Conditions

Operating Temperature (Max)	125 °C[257 °F]
Operating Temperature Range	-40 – 125 °C[-40 – 257 °F]

Operation/Application

Circuit Application	Signal
---------------------	--------

Packaging Features

Packaging Quantity	1287
Packaging Method	Carton

Other

Serviceable	Yes
Connector Position Assurance Capable	Yes

Product Compliance

[For compliance documentation, visit the product page on TE.com>](#)



EU RoHS Directive 2011/65/EU	Compliant
EU ELV Directive 2000/53/EC	Compliant
China RoHS 2 Directive MIIT Order No 32, 2016	No Restricted Materials Above Threshold
EU REACH Regulation (EC) No. 1907/2006	Current ECHA Candidate List: JUNE 2023 (235) Candidate List Declared Against: JUNE 2023 (235) Does not contain REACH SVHC
Halogen Content	BFR/CFR/PVC Free, but Br/Cl >900 ppm in other sources.
Solder Process Capability	Not applicable for solder process capability

Product Compliance Disclaimer

This information is provided based on reasonable inquiry of our suppliers and represents our current actual knowledge based on the information they provided. This information is subject to change. The part numbers that TE has identified as EU RoHS compliant have a maximum concentration of 0.1% by weight in homogenous materials for lead, hexavalent chromium, mercury, PBB, PBDE, DBP, BBP, DEHP, DIBP, and 0.01% for cadmium, or qualify for an exemption to these limits as defined in the Annexes of Directive 2011/65/EU (RoHS2). Finished electrical and electronic equipment products will be CE marked as required by Directive 2011/65/EU. Components may not be CE marked. Additionally, the part numbers that TE has identified as EU ELV compliant have a maximum concentration of 0.1% by weight in homogenous materials for lead, hexavalent chromium, and mercury, and 0.01% for cadmium, or qualify for an exemption to these limits as defined in the Annexes of Directive 2000/53/EC (ELV). Regarding the REACH Regulation, the information TE provides on SVHC in articles for this part number is based on the latest European Chemicals Agency (ECHA) 'Guidance on requirements for substances in articles' posted at this URL: <https://echa.europa.eu/guidance-documents/guidance-on-reach>

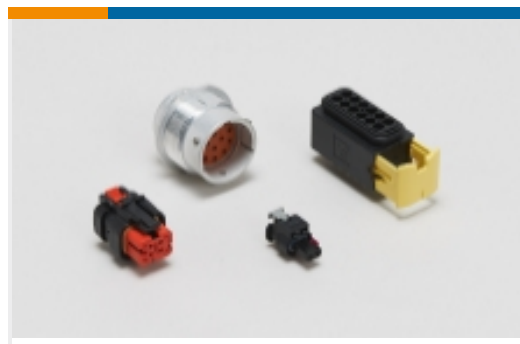
Compatible Parts



Also in the Series | [Get .64 Connector System](#)



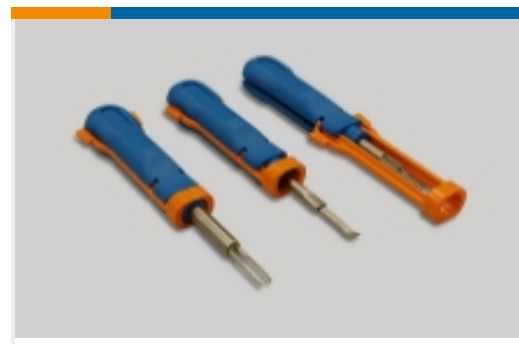
Automotive Connector Caps & Covers (2)



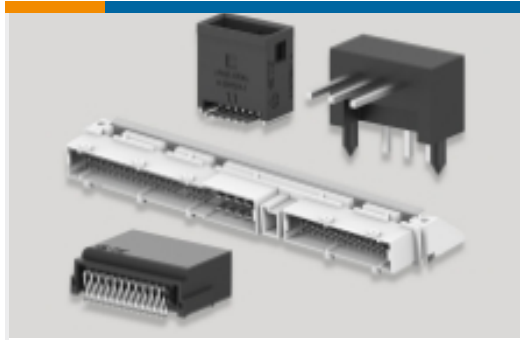
Automotive Housings(88)



Automotive Terminals(29)

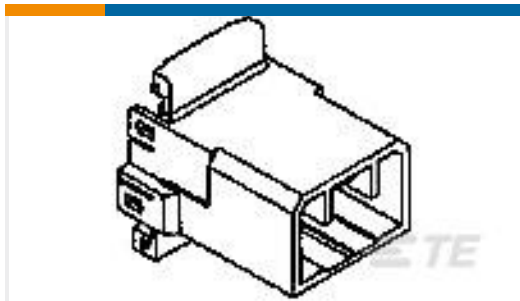


Insertion & Extraction Tools(1)

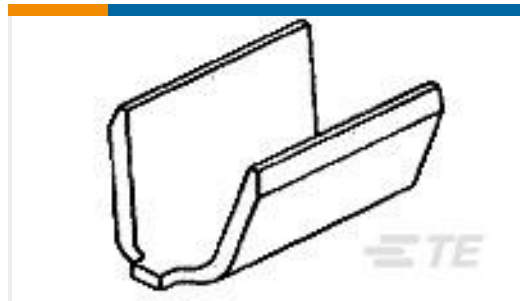


PCB Headers & Receptacles(1)

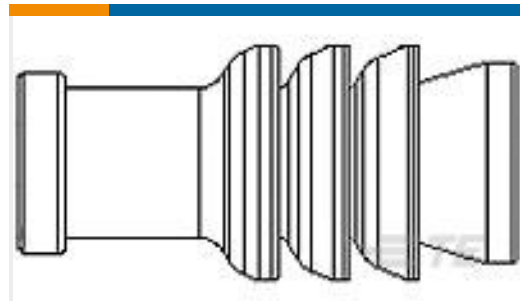
Customers Also Bought



TE Part #174931-2
070 MLC W-W CAP HSG 8P BLACK



TE Part #63625-2
SPLICE 5000 -16000 .025 TPBR



TE Part #967056-1
MQS BLINDSTOPFEN4MM



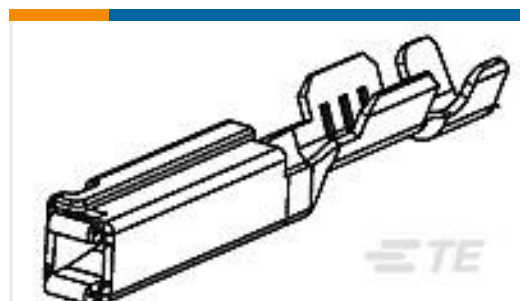
TE Part #1577622-1
TERMINAL, PEEK PIDG STRATO, 20AWG



TE Part #1-1355880-1
AMP MCP 2.8, CONTACT LANCELESS



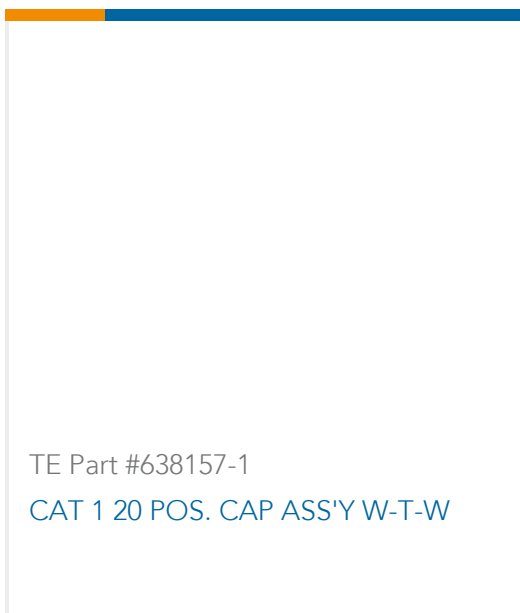
TE Part #175095-1
MULTILOCK, RECEPTACLE AND TAB



TE Part #1393367-1
V23540X7000Y 11=GET-FEM TERM S



TE Part #1-926522-2
PL 250 REC HSG 2P NYLON NAT



TE Part #638157-1
CAT 1 20 POS. CAP ASS'Y W-T-W

Documents



Product Drawings

[INLIN CONN.FEMAL22P](#)

English

CAD Files

Customer View Model

[ENG_CVM_CVM_2-1419158-9_D.2d_dxf.zip](#)

English

3D PDF

3D

Customer View Model

[ENG_CVM_CVM_2-1419158-9_D.3d_igs.zip](#)

English

Customer View Model

[ENG_CVM_CVM_2-1419158-9_D.3d_stp.zip](#)

English

By downloading the CAD file I accept and agree to the [Terms and Conditions](#) of use.

Datasheets & Catalog Pages

[GET 0.64 Interconnection System](#)

English

Instruction Sheets

[Instruction Sheet \(U.S.\)](#)

English

[Instruction Sheet \(U.S.\)](#)

English