

PT580524 ✓ ACTIVE

SCHRACK | SCHRACK Miniature Relay PT

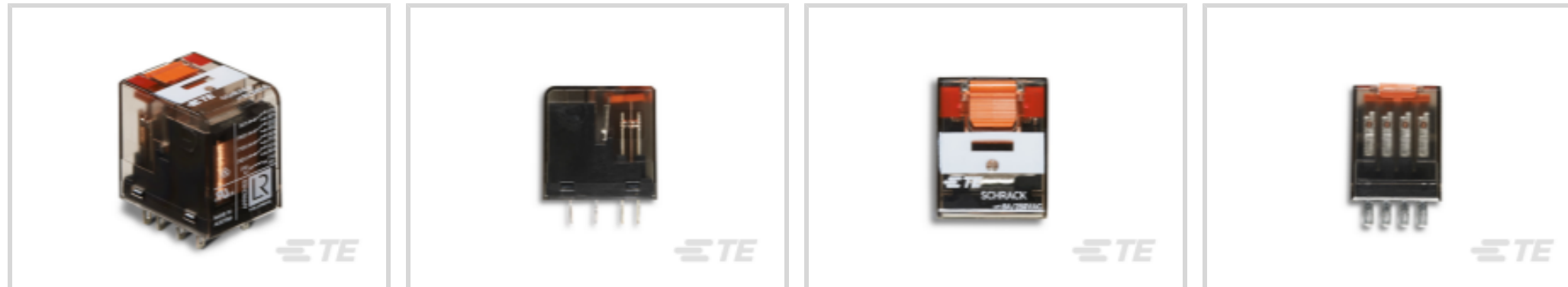
TE Internal #: 2-1393154-1

General Purpose Power Relay, Monostable, .79 VA / 1 VA Coil  
Power Rating AC, 192 ohm Coil Resistance, SCHRACK Miniature  
Relay PT, Power Relays

[View on TE.com >](#)



Relays & Contactors > Relays > Power Relays



Relay Type: **General Purpose Power Relay**

Coil Magnetic System: **Monostable**

Coil Power Rating Class: **[.5 – 1 VA]**

Coil Power Rating AC: **.79 VA, 1 VA**

Coil Resistance: **192 Ω**

## Features

### Product Type Features

|            |                             |
|------------|-----------------------------|
| Relay Type | General Purpose Power Relay |
|------------|-----------------------------|

### Configuration Features

|                         |                            |
|-------------------------|----------------------------|
| Coil Special Features   | UL Coil Insulation Class F |
| Contact Arrangement     | 4 Form C 4PDT-CO           |
| Contact Number of Poles | 4                          |

### Electrical Characteristics

|   |              |
|---|--------------|
| Insulation Initial Dielectric Between Open Contacts     | 1200 Vrms    |
| Contact Limiting Making Current                         | 12 A         |
| Contact Limiting Short-Time Current                     | 300 A        |
| Insulation Initial Dielectric Between Adjacent Contacts | 2500 Vrms    |
| Insulation Initial Dielectric Between Contacts & Coil   | 1200 Vrms    |
| Contact Limiting Breaking Current                       | 6 A          |
| Coil Power Rating AC                                    | .79 VA, 1 VA |
| Coil Resistance   | 192 Ω        |
| Coil Voltage Rating                                     | 24 VAC       |
| Contact Current Rating                                  | 6 A          |
| Contact Switching Load (Min)                            | 1mA @ .02V   |



|                                 |         |
|---------------------------------|---------|
| Contact Switching Voltage (Max) | 240 VAC |
|---------------------------------|---------|

|                        |         |
|------------------------|---------|
| Contact Voltage Rating | 240 VAC |
|------------------------|---------|

### Body Features

|                |                |
|----------------|----------------|
| Product Weight | 30 g[1.058 oz] |
|----------------|----------------|

### Contact Features

|                  |                        |
|------------------|------------------------|
| Contact Material | AgNi90/10, Gold-Plated |
|------------------|------------------------|

### Termination Features

|                       |         |
|-----------------------|---------|
| Relay Connection Type | Plug-In |
|-----------------------|---------|

### Mechanical Attachment

|                    |        |
|--------------------|--------|
| Product Mount Type | Socket |
|--------------------|--------|

### Dimensions

|   |      |
|---|------|
| Insulation Clearance Between Contact & Coil | 3 mm |
|---|------|

|  |               |
|--|---------------|
| Insulation Creepage Between Contact & Coil | 4 mm[.157 in] |
|--|---------------|

|               |                  |
|---------------|------------------|
| Product Width | 22.5 mm[.885 in] |
|---------------|------------------|

|                |               |
|----------------|---------------|
| Product Length | 28 mm[1.1 in] |
|----------------|---------------|

|                |                |
|----------------|----------------|
| Product Height | 29 mm[1.14 in] |
|----------------|----------------|

### Usage Conditions

|                                      |      |
|--------------------------------------|------|
| Environmental Category of Protection | RTII |
|--------------------------------------|------|

|   |               |
|---|---------------|
| Environmental Ambient Temperature (Max) | 70 °C[158 °F] |
|---|---------------|

|                             |             |
|-----------------------------|-------------|
| Operating Temperature Range | -40 – 70 °C |
|-----------------------------|-------------|

### Operation/Application

|              |    |
|--------------|----|
| Current Type | AC |
|--------------|----|

|                      |            |
|----------------------|------------|
| Coil Magnetic System | Monostable |
|----------------------|------------|

### Packaging Features

|                  |               |
|------------------|---------------|
| Packaging Method | Carton & Tube |
|------------------|---------------|

### Other

|                           |            |
|---------------------------|------------|
| Length Class (Mechanical) | 25 – 30 mm |
|---------------------------|------------|

|                           |            |
|---------------------------|------------|
| Height Class (Mechanical) | 25 – 30 mm |
|---------------------------|------------|

|                          |            |
|--------------------------|------------|
| Width Class (Mechanical) | 20 – 25 mm |
|--------------------------|------------|

|  |           |
|--|-----------|
|  | .5 – 1 VA |
|--|-----------|

|                       |          |
|-----------------------|----------|
| Contact Current Class | 5 – 10 A |
|-----------------------|----------|



## Product Compliance

[For compliance documentation, visit the product page on TE.com>](#)

|   |   |
|---|---|
| EU RoHS Directive 2011/65/EU                  | Compliant   |
| EU ELV Directive 2000/53/EC                   | Compliant   |
| China RoHS 2 Directive MIIT Order No 32, 2016 | No Restricted Materials Above Threshold   |
| EU REACH Regulation (EC) No. 1907/2006        | Current ECHA Candidate List: JUNE 2024 (241)<br>Candidate List Declared Against: JUNE 2024 (241)<br>Does not contain REACH SVHC |
| Halogen Content                               | Not Low Halogen - contains Br or Cl > 900 ppm.  |
| Solder Process Capability                     | Hand solderable with lead free solder   |

### Product Compliance Disclaimer

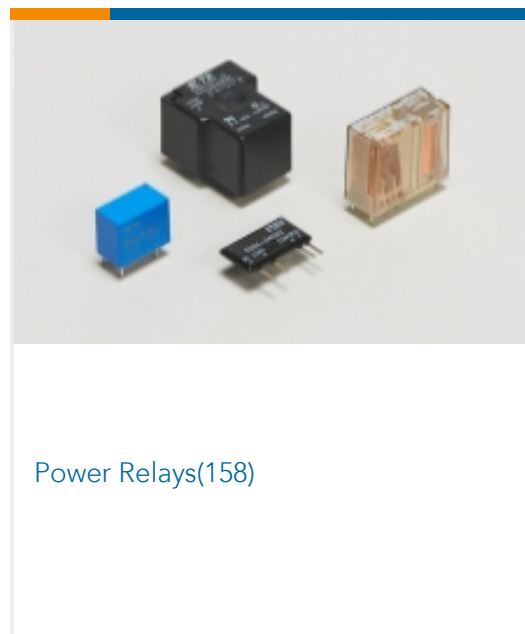
This information is provided based on reasonable inquiry of our suppliers and represents our current actual knowledge based on the information they provided. This information is subject to change. The part numbers that TE has identified as EU RoHS compliant have a maximum concentration of 0.1% by weight in homogenous materials for lead, hexavalent chromium, mercury, PBB, PBDE, DBP, BBP, DEHP, DIBP, and 0.01% for cadmium, or qualify for an exemption to these limits as defined in the Annexes of Directive 2011/65/EU (RoHS2). Finished electrical and electronic equipment products will be CE marked as required by Directive 2011/65/EU. Components may not be CE marked. Additionally, the part numbers that TE has identified as EU ELV compliant have a maximum concentration of 0.1% by weight in homogenous materials for lead, hexavalent chromium, and mercury, and 0.01% for cadmium, or qualify for an exemption to these limits as defined in the Annexes of Directive 2000/53/EC (ELV). Regarding the REACH Regulation, the information TE provides on SVHC in articles for this part number is based on the latest European Chemicals Agency (ECHA) 'Guidance on requirements for substances in articles' posted at this URL: <https://echa.europa.eu/guidance-documents/guidance-on-reach>

## Compatible Parts

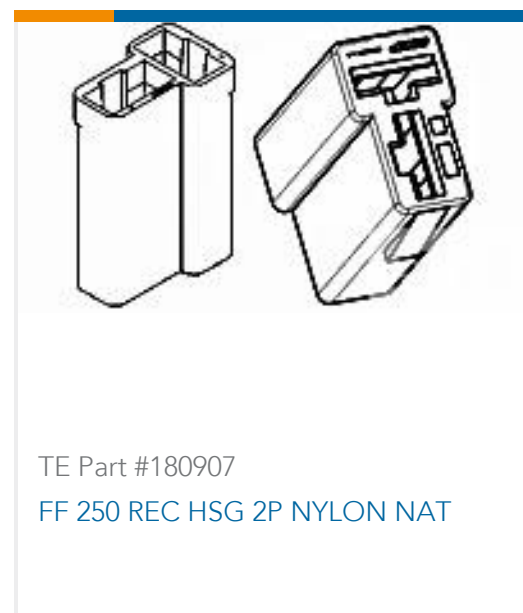
|  |  |  |  |
|--|--|--|--|
|  <p>TE Part # 1-1415526-1<br/>PT78742</p> |  <p>TE Part # 2-1415526-1<br/>PT17021</p> |  <p>TE Part # 6-1415037-1<br/>PT17040</p> |  <p>TE Part # 1860000-1<br/>PT7874P</p> |
|--|--|--|--|



Also in the Series | **SCHRACK Miniature Relay PT**



Customers Also Bought



## Documents

### CAD Files

3D PDF

3D

Customer View Model

[ENG\\_CVM\\_CVM\\_2-1393154-1\\_99.2d\\_dxf.zip](#)

English

Customer View Model

[ENG\\_CVM\\_CVM\\_2-1393154-1\\_99.3d\\_igs.zip](#)

English

Customer View Model

[ENG\\_CVM\\_CVM\\_2-1393154-1\\_99.3d\\_stp.zip](#)

English

By downloading the CAD file I accept and agree to the [Terms and Conditions](#) of use.

### Datasheets & Catalog Pages

[Miniature Relay PT](#)

English

### Product Specifications

[Definitions General Purpose Relays](#)

English

### Agency Approvals

[VDE Certificate](#)

English