



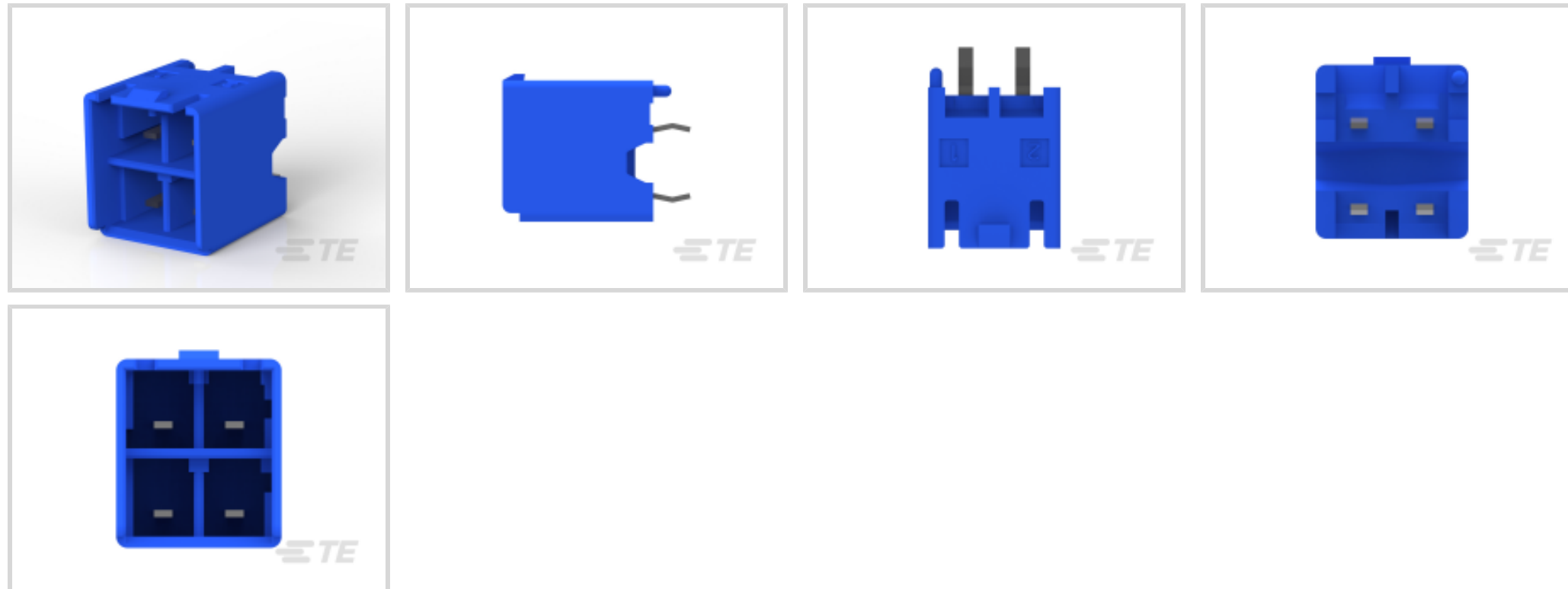
Power Key 5.0

TE Internal #: 2-1376386-3

Rectangular Power Connectors, Header, Plug, Wire-to-Board, 4 Position, 5 mm [.197 in] Centerline, Printed Circuit Board, UL 94V-0, Power Key 5.0

[View on TE.com >](#)

Connectors > Power Connectors > Rectangular Power > Rectangular Power Connectors



Rectangular Power Connector Type: **Header**

Connector & Housing Type: **Plug**

Connector System: **Wire-to-Board**

Number of Positions: **4**

Centerline (Pitch): **5 mm [.197 in]**

Features

Product Type Features

Header Type	Fully Shrouded
Rectangular Power Connector Type	Header
Connector & Housing Type	Plug
Connector System	Wire-to-Board
Sealable	No
Connector & Contact Terminates To	Printed Circuit Board

Configuration Features

Number of Positions	4
Number of Power Positions	6
Number of Signal Positions	0
Number of Rows	2

Electrical Characteristics

Operating Voltage	300 VAC
-------------------	---------

Contact Features



Contact Mating Area Plating Material	Tin
Contact Current Rating (Max)	9 A
Contact Retention Within Housing	Without
Contact Type	Tab
PCB Contact Termination Area Plating Material	Tin
Contact Mating Area Plating Material Thickness	1 μm [39.37 μin]

Termination Features

Termination Method to Printed Circuit Board	Through Hole - Solder
---	-----------------------

Mechanical Attachment

Connector Mounting Type	Board Mount
-------------------------	-------------

Housing Features

Centerline (Pitch)	5 mm[.197 in]
Housing Color	Blue
Housing Material	Nylon 66

Dimensions

Row-to-Row Spacing	6.2 mm[.244 in]
--------------------	-----------------

Usage Conditions

Operating Temperature Range	-30 – 105 $^{\circ}\text{C}$ [-22 – 221 $^{\circ}\text{F}$]
-----------------------------	--

Operation/Application

Circuit Application	Power
---------------------	-------

Industry Standards

UL Flammability Rating	UL 94V-0
Glow Wire Rating	Standard Part - Not Glow Wire

Packaging Features

Packaging Quantity	100
Packaging Method	Bag

Product Compliance

[For compliance documentation, visit the product page on TE.com>](#)

EU RoHS Directive 2011/65/EU	Compliant
EU ELV Directive 2000/53/EC	Compliant



China RoHS 2 Directive MIIT Order No 32, 2016	No Restricted Materials Above Threshold
EU REACH Regulation (EC) No. 1907/2006	Current ECHA Candidate List: JUNE 2023 (235) Candidate List Declared Against: JUNE 2023 (235) Does not contain REACH SVHC
Halogen Content	Not Low Halogen - contains Br or Cl > 900 ppm.
Solder Process Capability	Wave solder capable to 265°C

Product Compliance Disclaimer

This information is provided based on reasonable inquiry of our suppliers and represents our current actual knowledge based on the information they provided. This information is subject to change. The part numbers that TE has identified as EU RoHS compliant have a maximum concentration of 0.1% by weight in homogenous materials for lead, hexavalent chromium, mercury, PBB, PBDE, DBP, BBP, DEHP, DIBP, and 0.01% for cadmium, or qualify for an exemption to these limits as defined in the Annexes of Directive 2011/65/EU (RoHS2). Finished electrical and electronic equipment products will be CE marked as required by Directive 2011/65/EU. Components may not be CE marked. Additionally, the part numbers that TE has identified as EU ELV compliant have a maximum concentration of 0.1% by weight in homogenous materials for lead, hexavalent chromium, and mercury, and 0.01% for cadmium, or qualify for an exemption to these limits as defined in the Annexes of Directive 2000/53/EC (ELV). Regarding the REACH Regulation, the information TE provides on SVHC in articles for this part number is based on the latest European Chemicals Agency (ECHA) 'Guidance on requirements for substances in articles' posted at this URL: <https://echa.europa.eu/guidance-documents/guidance-on-reach>

Compatible Parts

 <p>TE Part # 2-1376392-3 5MM POWER KEY 4P PLUG 2ROW BLU</p>	 <p>TE Part # 2-1376437-3 5MM POWER KEY 2P HDR ASSY BLUE</p>	 <p>TE Part # 1-2174298-2 5mm POWER KEY 3P HDR ASSEMBLY</p>	 <p>TE Part # 1376386-2 5mm B-T-W Conn. 4P(2row) HDR A</p>
 <p>TE Part # 2-2174298-3 5mm POWER KEY 3P HDR ASSEMBLY</p>	 <p>TE Part # 2174298-1 5mm POWER KEY 3P HDR ASSEMBLY</p>		

Also in the Series | Power Key 5.0



Connector Contacts(4)



Connector Hardware(4)



Insertion & Extraction Tools(1)



Rectangular Power Connectors(107)

Customers Also Bought



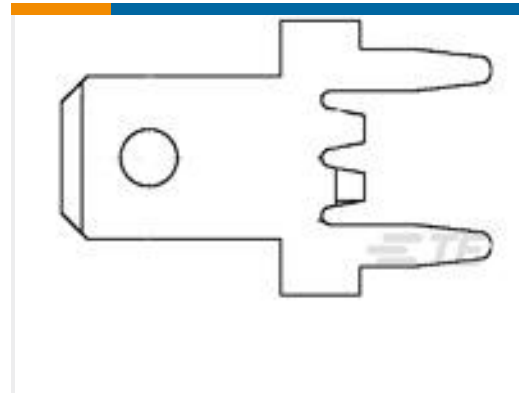
TE Part #1376388-1
STD Temp Power Key Plug



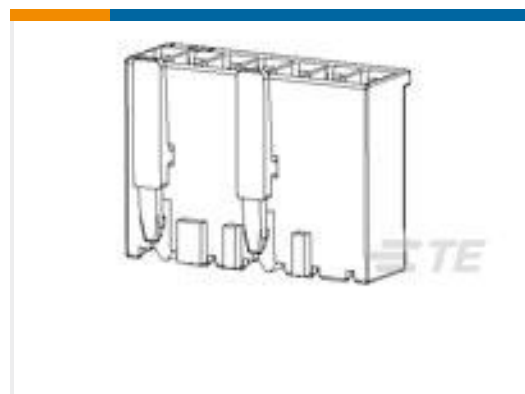
TE Part #2-1376382-3
STD Temp Power Key Header



TE Part #1376386-1
5mm B-T-W Conn. 4P(2row) HDR A



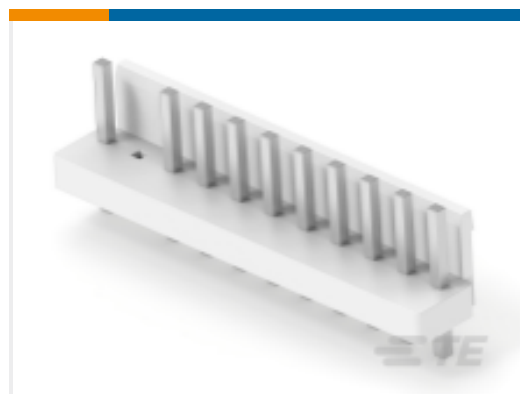
TE Part #63982-1
187 FASTON TAB TPBR



TE Part #8-928247-2
STD TIMER GEH 2P



TE Part #1-1376386-2
5mm B-T-W Conn. 4P(2row) HDR A



TE Part #2-1744524-1
EP 11P HEADER ASY, PIN #2
REMOVED

Documents

Product Drawings

[5mm B-T-W Conn. 4P\(2row\) HDR A](#)

English

[5mm B-T-W Conn. 4P\(2row\) HDR A](#)

English

CAD Files

[3D PDF](#)

3D

Customer View Model

[ENG_CVM_CVM_2-1376386-3_E.2d_dxf.zip](#)

English

Customer View Model

[ENG_CVM_CVM_2-1376386-3_E.3d_igs.zip](#)

English

Customer View Model

[ENG_CVM_CVM_2-1376386-3_E.3d_stp.zip](#)



English

By downloading the CAD file I accept and agree to the [Terms and Conditions](#) of use.

Datasheets & Catalog Pages

[SOFT_SHELL_PIN_SOCKET_CONNECTORS_STANDARD_DENSITY](#)

English

[1-1773881-9 Power Key Connector Quick Reference Guide](#)

English

Product Specifications

[5.0 POWER KEY CONNECTOR](#)

Japanese

[Application Specification](#)

Japanese

Agency Approvals

[VDE Certificate](#)

English